

Chipsmall Limited consists of a professional team with an average of over 10 year of expertise in the distribution of electronic components. Based in Hongkong, we have already established firm and mutual-benefit business relationships with customers from,Europe,America and south Asia,supplying obsolete and hard-to-find components to meet their specific needs.

With the principle of “Quality Parts,Customers Priority,Honest Operation,and Considerate Service”,our business mainly focus on the distribution of electronic components. Line cards we deal with include Microchip,ALPS,ROHM,Xilinx,Pulse,ON,Everlight and Freescale. Main products comprise IC,Modules,Potentiometer,IC Socket,Relay,Connector.Our parts cover such applications as commercial,industrial, and automotives areas.

We are looking forward to setting up business relationship with you and hope to provide you with the best service and solution. Let us make a better world for our industry!



Contact us

Tel: +86-755-8981 8866 Fax: +86-755-8427 6832

Email & Skype: info@chipsmall.com Web: www.chipsmall.com

Address: A1208, Overseas Decoration Building, #122 Zhenhua RD., Futian, Shenzhen, China

4.3" GEMmodule™

MK-480272C

Data Sheet

Introduction:

The MK-480272C is a fully integrated 4.3" WQVGA production color display module to support a variety of embedded control interface applications. Featuring the Amulet GEM Graphical OS Chip™ for color displays, the module supports GIF, JPEG and PNG graphic formats in 24-bit color, plus 8-bit alpha blending (transparency channel) found in high-end consumer electronic products.

Features:

- 480x272 TFT LCD - 16:9 (wide aspect ratio) display
- White LED backlight
- Integrated resistive touch panel
- Amulet GEM Graphical OS Chip™
- 24 Pin Interconnector
- Royalty-FREE Graphical Operating System
- On-Board memory - 32megabit Serial Flash for storing GUI pages
- Touch Panel Controller - Built into Graphical OS Chip™
- Color Supported - Up to 24bit + 8bit Alpha
- Graphics Supported - GIF, JPEG, PNG
- Backlight can be controlled via the touch panel or HTML command
- Supports Unicode - Foreign language character sets
- Font Converter - Built-in

General Specification

ITEM	STANDARD VALUE	UNIT
Pixels (Resolution)	480 x 272	dots
Outline dimension	105.5(H) x 67.2 (V) x4.0D	mm
Active area	95.04(H) x 53.856(V)	mm
Dot Pitch	0.198 x 0.198	mm
Luminance	350 Typ.	Cd/m2
Operation Temp.	70 - 20	C
View Direction	6 o'clock	
Display Mode	TN / Transmissive / Normally White	
Backlight	10 White LED	
Backlight Control	PWM	
Data Flash	32 Megabit	
Interface	USB / RS232 / UART	

Electrical Characteristic

Recommended Operating Conditions

5V	5V Recommended
5V Current	300mA Min

DC Characteristics

V core Supply Current	22mA @1.2V
V input Low Level	-0.3 to 0.8V
V input High Level	2V to (Vcc + 0.3V)
Pull Up Resistors	70K to 175KOhms
IO Output Current	8mA
Static Current Excluding Power on Reset V core = 1.2V	600uA
Static Current Logic cells consumption, including Power on Reset and all input drivers V core = 1.2V	30uA

Pin Descriptions

Pin Type

I = Input

O = Output

P = Power Supply

Pin #	Signal	Type	Description
1	5V	P	5V @ 300mA
2	5V	P	5V @ 300mA
3	GND	P	Ground
4	GND	P	Ground
5	SCL	O	Serial Clock
6	SDA	O	Serial Data
7	COMMU RXD	I	CommU RXD UART
8	COMMU TXD	O	CommU TXD UART
9	PWM 1	O	Programmable Clock 1
10	PWM 2	O	Programmable Clock 2
11	Prog M	I	Program Mode - Float = Prog / GND = Run Note:1
12	PWM 0	O	Programmable Clock 0
13	RS232 TXD	O	TXD from RS232 Transceiver
14	T_CAL	I	Touch Panel Cal. - Float = Cal / GND = Normal Note:1
15	PROGU RXD	I	PROGU RXD UART
16	PROGU TXD	O	PROGU TXD UART
17	SPI C3	O	SPI Chip Select 3
18	RS232 RXD	I	RXD from RS232 Transceiver
19	SPI C2	O	SPI Chip Select 2
20			
21	MISO	O	SPI DATA In
22	SCLK	O	SPI Clock
23	RESET	O	System Reset by driving pin low
24	MOSI	O	SPI DATA Out

Note:1 Internally pulled up. Only pull to ground

Table 1. Header J3 24pin, 2mm, Hirose DF-11-24DP-2DSA

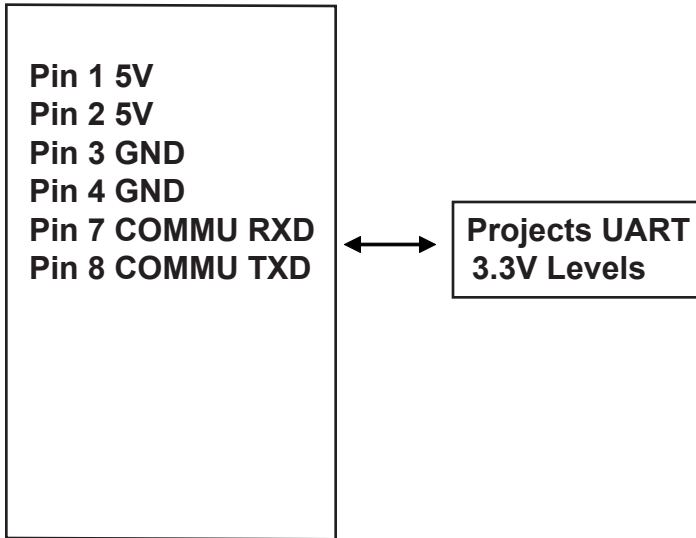
Mating Connectors

Hirose DF11-24DS-2R26 Straight
 DF11-24DS-2C Right Angle
 DF11-24DS-2DSA Board

JST PHDR-24VS

J3 Wiring

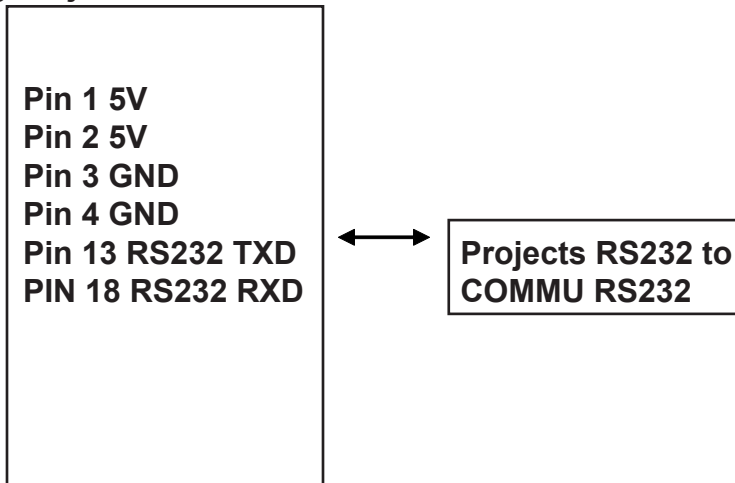
Connecting Project via UART



J3

Note: Cut Trace across SD and Jumper “D” side to C38 “8” side GND to take the RS232 Transceiver out of circuit.

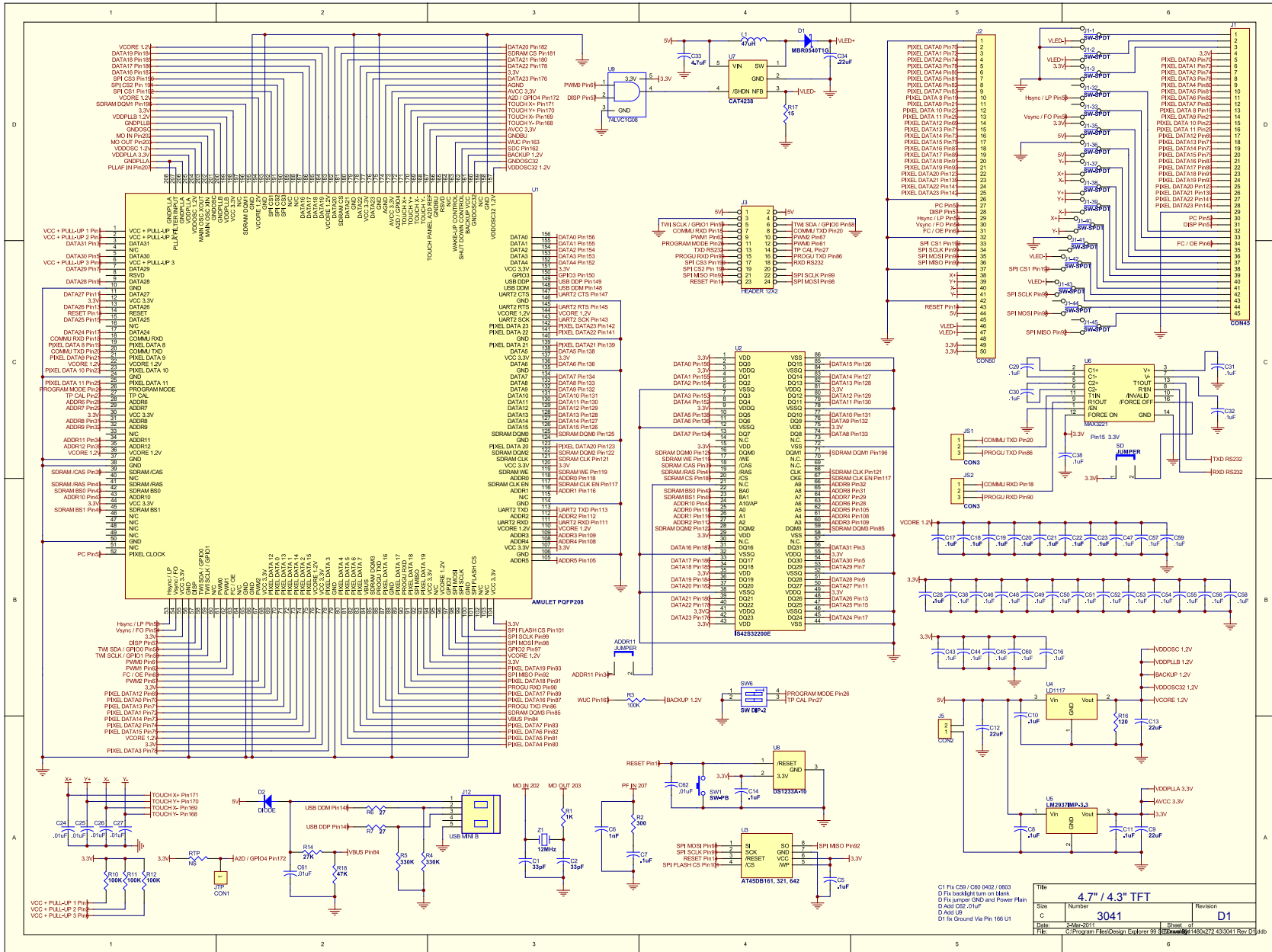
Connecting Project via RS232



J3

MK-480272C

Datasheet 1.2 - 0311



ITEM	PART NUMBER	QTY	REFERENCE LOCATIONS	PACKAGE	DESCRIPTION	MANUFACTURE	MANUFACTURE PART #
1	NS	1	R1	0603	RES, 1K, 1/10W, 1%	Vishay / Dale	CRCW06031KFKEA
2	0603-0301-01	1	R2	0603	RES, 300, 1/10W, 1%	Yageo	RC0603FR-07300RL
3	0603-0270-01	2	R6, R7	0603	RES, 27, 1/10W, 1%	Yageo	RC0603FR-0727RL
4	0603-0334-01	2	R4, R5	0603	RES, 330K, 1/10W, 1%	Vishay / Dale	CRCW0603330K0Z0ED
5	0603-0104-01	4	R3, R10, R11, R12	0603	RES, 100K, 1/10W, 1%	Vishay / Dale	CRCW0603100KFKEA
6	0603-0473-01	1	R18	0603	RES, 47K, 1/10W, 1%	Vishay / Dale	CRCW060347K0FKED
7	0603-0121-01	1	R16	0603	RES,120, 1/10W, 1%	Vishay / Dale	CRCW0603120RFKEA
8	0603-0150-01	1	R17	0603	RES,15, 1/10W, 1%	Vishay / Dale	CRCW060315R0FKEA
9	0603-0273-01	1	R14	0603	RES,27K, 1/10W, 1%	Vishay / Dale	CRCW060327K0FKEA
10	0800-0047	1	L1	SMT	Inductor, 47uH 0.5A SMD	Sumida Corp	CDRH62BNP-470MC
11	NS	1	RTP	0603	RES, 100K, 1/10W, 1%	Vishay / Dale	CRCW0603100KFKEA
12	0603-0033-02	2	C1, C2	0603	CAP, 33pF, 50V,NPO, 5%	AVX	06035A330JAT2A
13	0603-0104-02	43	C5, C7, C8, C10, C11, C14, C16	0603	CAP, .1uF,50V,X7R, 10%	Kemet	C0603C104K5RACTU
			C17 - C23, C28 - C32, C38, C43 - 60				
14	0603-0103-02	6	C24 -C27, C61, C62	0603	CAP, .01uF, X7R, 50V, 10%	AVX	06035C103KAT2A
15	0603-0102-02	1	C6	0603	CAP, .001uF, 200V, PPS, 5%	Panasonic	ECH-U1C102JX5
16	1200-0220-01	3	C9, C12, C13	6032	CAP, 22uF, 10V, 10%, Tant	KEMET	T491C226K010AT
17	NS	2	C41, C42	0603	NS		
18	1206-0471-02	1	C33	3X5.5SCAN	CAP, 4.7uF, 25V, Electrolytic, 20%	United Chemi-con	BMVK350A04A4R7ME60G
19	0603-0224-02	1	C34	0603	CAP, .22uF, 16V, X7R, 10%	EPCOS Inc	B37931K9224K60
20	1900-0001	1	SW1	6X3.7	Momentary Push Button	C&K	PTS635SL25SMTR-LFS
21	1900-0002-01	1	SW6		2-POS Dip Switch	CTS	2192LPST
22	2100-0012	1	Z1	CSM-7	CRYSTAL, 12MHz, 30pF	Transko	HC49/SMD-BF20-25-12.000M-TR
23	2000-0045	1	J1	SMT	Con, 45pin,ZIF, R ANG B CNT, .5MM	Molex	541324597
24	NS	1	J2	SMT	Con, 50pin,ZIF, R ANG B CNT, .5MM	Molex	54132-5097
25	2000-0024-03	1	J3		Con,24pin, Header, 2mm	Hirose	DF11-24DP-2DSA
26	NS	1	J5		DC Power Jack	SMP Tech	P002-7000-000-Z
27	2000-0005	1	J12	SMT	Con, MINI USB 5pin	Hirose	UX60-MB-5ST
28	NS	2	JS1, JS2		Con, 3pin Header		
29	5500-0540	1	D1	SOD-123	Diode, Schottky, .5A, 40V	ON	MBR0540T1G
30	5500-4001	1	D2	DO-214AC	Diode, Rectifier 1A, 50V	MCCSemi	GS1A
31	6000-3000	1	U1	PQFP-208	Color LCD Driver	Amulet	AGB75LC04-QU-E
32	6000-3220	1	U2	TSOP-86	SDRAM, 512K X 32 x 4 , 64M-Bit	ISSI	IS42S32200E-6TL
33	6000-4532	1	U3	SOIC-8	Data Flash	Atmel	AT45DB321D-SU
34	6000-1117	1	U4	SOT-223	1.2V Reg	ST	LD1117S12TR
35	6000-3940-33	1	U5	SOT-223	3.3V Regulator	NATIONAL	LM3940IMP-3.3/NOPB
36	6000-4238	1	U7	MSOP8	LED Driver	Catalyst	CAT4238TD-GT3
37	6000-1233	1	U8	SOT-223	Reset	Dallas Semi / Maxim	DS1233AZ-10+
38	6000-3221	1	U6	SSOP-16	RS-232 Transceiver	TI	MAX3221CDBR
39	6000-0008	1	U9	SOT-25	2 Input AND gate	NXP	74LVC1G08GV
40	3041-0001	1			PCB FAB		

Notes:

Communication and Program UARTs can be used for programming as well as for communication with the application's host processor.

If you wish to program via UART make sure you can get to the Reset and the Program Mode pins. These will only be needed if a serious programming issue occurs.

Pass-Through Programming information is available at our website under Field Update Utilities: <http://www.amulettechnologies.com/support/downloads/fieldupdates.html>.

Momentarily grounding reset with an open collector device or momentary switch will cause a reset. Reset must be applied after the Program Mode pin is changed for us to see it.



Tel (408) 374-4956
Fax (408) 374-4941
<http://www.AmuletTechnologies.com>
Sales@AmuletTechnologies.com
Support@AmuletTechnologies.com
1475 S. Bascom Ave., Suite 111
Campbell, CA 95008 USA

Disclaimer: The information in this document is provided in connection with Amulet Technologies, LLC (Amulet) products. No license, express or implied, to any intellectual property right is granted by this document or in connection with the sale of Amulet products. EXCEPT AS SET FORTH IN AMULET'S TERMS AND CONDITIONS OF SALE WHERE AMULET IS THE SELLER, AMULET ASSUMES NO LIABILITY WHATSOEVER AND DISCLAIMS ANY EXPRESS, IMPLIED OR STATUTORY WARRANTY RELATING TO ITS PRODUCTS INCLUDING, BUT NOT LIMITED TO, THE IMPLIED WARRANTY OF MERCHANTABILITY, FITNESS FOR A PARTICULAR PURPOSE, OR NON-INFRINGEMENT. IN NO EVENT SHALL AMULET BE LIABLE FOR ANY DIRECT, INDIRECT, CONSEQUENTIAL, PUNITIVE, SPECIAL OR INCIDENTAL DAMAGES (INCLUDING, WITHOUT LIMITATION, DAMAGES FOR LOSS AND PROFITS, BUSINESS INTERRUPTION, OR LOSS OF INFORMATION) ARISING OUT OF THE USE OR INABILITY TO USE THIS DOCUMENT, EVEN IF AMULET HAS BEEN ADVISED OF THE POSSIBILITY OF SUCH DAMAGES. Amulet makes no representations or warranties with respect to the accuracy or completeness of the contents of this document and reserves the right to make changes to specifications and product descriptions at any time without notice. Amulet does not make any commitment to update the information contained herein. Unless specifically provided otherwise, Amulet products are not approved for use in automotive applications, medical applications (including, but not limited to, life support systems and other medical equipment), avionics, nuclear applications, or other high-risk applications (e.g., applications that, if they fail, can be reasonably expected to result in significant personal injury or death).