



Chipsmall Limited consists of a professional team with an average of over 10 year of expertise in the distribution of electronic components. Based in Hongkong, we have already established firm and mutual-benefit business relationships with customers from,Europe,America and south Asia,supplying obsolete and hard-to-find components to meet their specific needs.

With the principle of "Quality Parts,Customers Priority,Honest Operation,and Considerate Service",our business mainly focus on the distribution of electronic components. Line cards we deal with include Microchip,ALPS,ROHM,Xilinx,Pulse,ON,Everlight and Freescale. Main products comprise IC,Modules,Potentiometer,IC Socket,Relay,Connector.Our parts cover such applications as commercial,industrial, and automotives areas.

We are looking forward to setting up business relationship with you and hope to provide you with the best service and solution. Let us make a better world for our industry!



Contact us

Tel: +86-755-8981 8866 Fax: +86-755-8427 6832

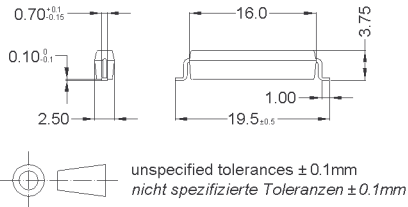
Email & Skype: info@chipsmall.com Web: www.chipsmall.com

Address: A1208, Overseas Decoration Building, #122 Zhenhua RD., Futian, Shenzhen, China



Preliminary Datasheet

Dimensions



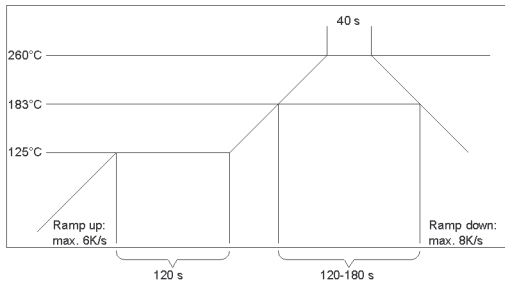
Marking

Sensibility and DateCode
 EN60062

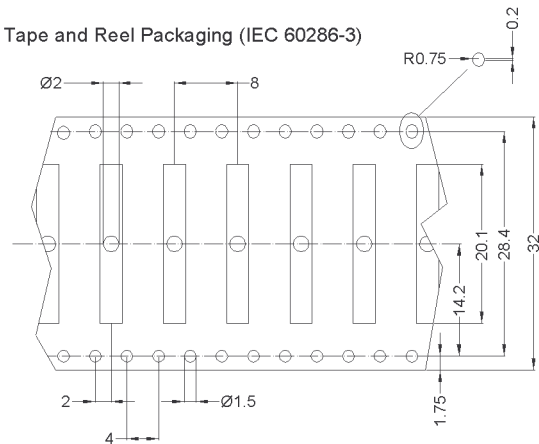


Lötvorschrift / soldering information

reflow soldering conditions according to JEDEC norm J-STD-020C



Tape and Reel Packaging (IEC 60286-3)

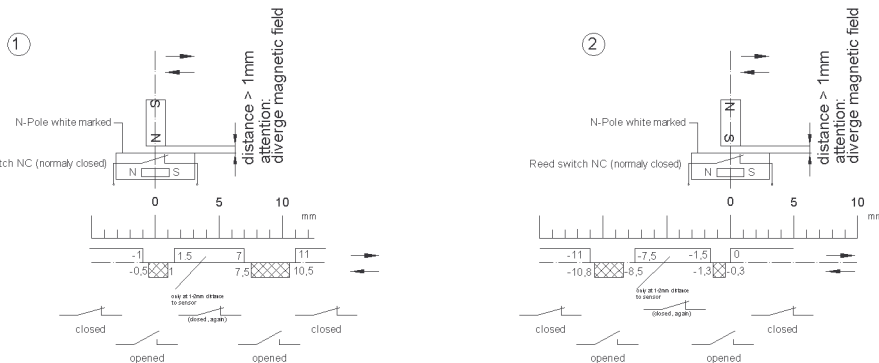
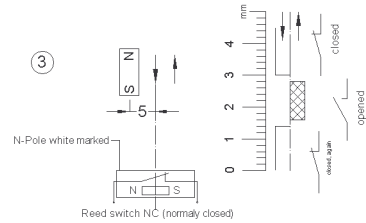


MAGNET RECOMMENDATION (examples)

NdFeB - N35, Ø3 x 2mm
 $M_{typ} = 1,39 \times 10E-6 \text{ Vs}^*cm$
 $M_{min} = 2,80 \times 10E-6 \text{ Vs}^*cm$
 andere Magnete sind zulässig / other magnets are allowable

Magnet - Mindestabstand zum Sensor: 1,0 mm (min. distance to sensor)

direkte Berührung mit dem Betätigungsmagnet kann die Empfindlichkeit verändern !!!
 (by direct touch may be changed sensitivity)





Europe: +49 / 7731 8399 0 | Email: info@standexmeder.com
 USA: +1 / 508 295 0771 | Email: salesusa@standexmeder.com
 Asia: +852 / 2955 1682 | Email: salesasia@standexmeder.com

Item No.:
9150100022
 Item:
MK15-B-2-OE

Preliminary Datasheet

Magnetic properties	Conditions	Min	Typ	Max	Unit
Pull-In	at 20°C	15		45	
Drop out	at 20°C	10		35	
Test equipment		KMS-11			
Pull-In in milliTesla (modified conta	MS150 - phys. caused tolerance +/- 0,1mT	0,8		2,1	mT
Drop-Out in milliTesla (modified co	MS150 - phys. caused tolerance +/- 0,1mT	0,6		1,7	mT
Test equipment		MS-150			

Contact data 66/1	Conditions	Min	Typ	Max	Unit
Contact-No.		66			
Contact-form		B - NC			
Contact-material		Rhodium			
Contact rating	Any DC combination of V & A not to exceed their individual max.'s			10	W
Switching voltage	DC or Peak AC			180	VDC
Carry current	DC or Peak AC			1,25	A
Switching current	DC or Peak AC			0,5	A
Contact resistance static	Measured with 40% overdrive Start Value			150	mOhm
Breakdown voltage (>20 AT)	according to IEC 255-5	200			VDC

Special Product Data	Conditions	Min	Typ	Max	Unit
Housing material		mineral-filled epoxy			
Remark		no direct touch between sensor and strong magnets!			

Environmental data	Conditions	Min	Typ	Max	Unit
Shock	1/2 sine wave duration 11ms			30	g
Vibration	from 10 - 2000 Hz			20	g
Ambient temperature		-40		130	°C
Storage temperature		-50		130	°C
Cleaning		fully sealed			

Modifications in the sense of technical progress are reserved

Designed at: 19.11.07 Designed by: THAUKE
 Last Change at: 25.04.17 Last Change by: DVUCKOVIC

Approval at: 03.01.08 Approval by: JHEYDER
 Approval at: Approval by:

Rev. No.: 7