



Chipsmall Limited consists of a professional team with an average of over 10 year of expertise in the distribution of electronic components. Based in Hongkong, we have already established firm and mutual-benefit business relationships with customers from,Europe,America and south Asia,supplying obsolete and hard-to-find components to meet their specific needs.

With the principle of “Quality Parts,Customers Priority,Honest Operation,and Considerate Service”,our business mainly focus on the distribution of electronic components. Line cards we deal with include Microchip,ALPS,ROHM,Xilinx,Pulse,ON,Everlight and Freescale. Main products comprise IC,Modules,Potentiometer,IC Socket,Relay,Connector.Our parts cover such applications as commercial,industrial, and automotives areas.

We are looking forward to setting up business relationship with you and hope to provide you with the best service and solution. Let us make a better world for our industry!



## Contact us

Tel: +86-755-8981 8866 Fax: +86-755-8427 6832

Email & Skype: info@chipsmall.com Web: www.chipsmall.com

Address: A1208, Overseas Decoration Building, #122 Zhenhua RD., Futian, Shenzhen, China

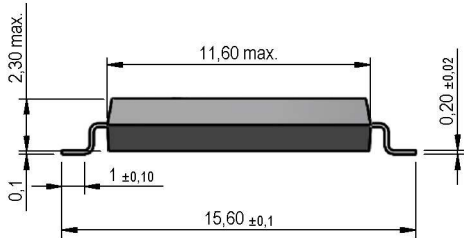


**Dimensions mm[inch]**

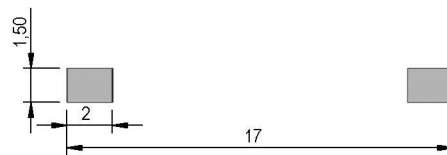
tolerances according to DIN ISO 2768-m  
Toleranzen gem. DIN ISO 2768-m

**Isometric**

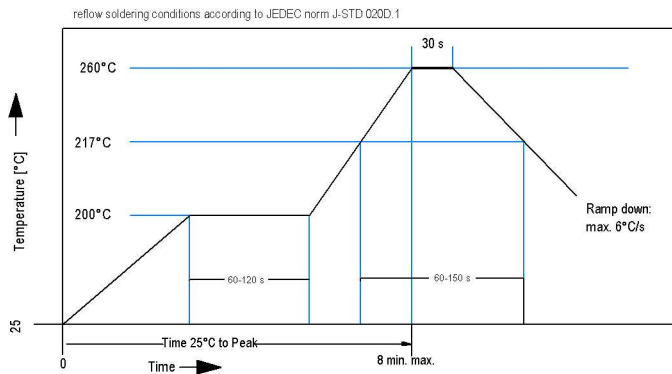
Scale 2:1  
Maßstab 2:1



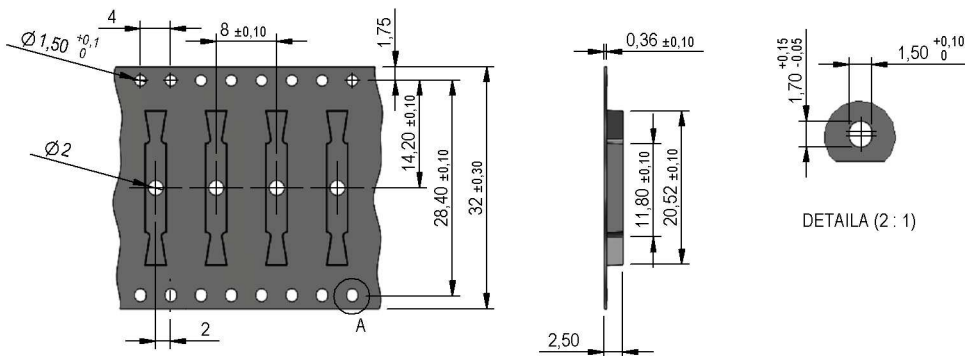
**Recommended Pad Layout**



**Solder Reflow Profile**



**Packaging**





Europe: +49 / 7731 8399 0

| Email: info@standexmeder.com

Item No.:

USA: +1 / 508 295 0771

| Email: salesusa@standexmeder.com

**9221350022**

Asia: +852 / 2955 1682

| Email: salesasia@standexmeder.com

Item:

**MK22-B-2**

Magnetic properties	Conditions	Min	Typ	Max	Unit
Pull-In	at 20°C	18		63	AT
Test equipment		KMS-11+AP038			

Contact data 35	Conditions	Min	Typ	Max	Unit
Contact - No.		35			
Contact - form		A - NO			
Contact rating	Any DC combination of V & A not to exceed their individual max.'s			20	W
Switching voltage	DC or Peak AC			200	VDC
Switching current	DC or Peak AC			1	A
Carry current	DC or Peak AC			1,25	A
Contact resistance static	Measured with 40% overdrive Start Value			150	mOhm
Breakdown voltage (>=10AT)	according to IEC 255-5	320			VDC

Special Product Data	Conditions	Min	Typ	Max	Unit
Housing material		mineral-filled epoxy			
Case color		black			

Environmental data	Conditions	Min	Typ	Max	Unit
Shock	1/2 sine wave duration 11ms			50	g
Vibration	from 10 - 2000 Hz			20	g
Operating temperature		-40		130	°C
Storage temperature		-55		130	°C
Washability		fully sealed			

General data	Conditions	Min	Typ	Max	Unit
total length - SMD			15,6		mm

Modifications in the sense of technical progress are reserved

Designed at: 11.09.08 Designed by: WKOVACS

Approval at: 28.07.09 Approval by: TFRITSCHI

Last Change at: 07.12.16 Last Change by: WKOVACS

Approval at: 08.12.16 Approval by: MREIZNER

Rev. No.: 11