



Chipsmall Limited consists of a professional team with an average of over 10 year of expertise in the distribution of electronic components. Based in Hongkong, we have already established firm and mutual-benefit business relationships with customers from,Europe,America and south Asia,supplying obsolete and hard-to-find components to meet their specific needs.

With the principle of “Quality Parts,Customers Priority,Honest Operation,and Considerate Service”,our business mainly focus on the distribution of electronic components. Line cards we deal with include Microchip,ALPS,ROHM,Xilinx,Pulse,ON,Everlight and Freescale. Main products comprise IC,Modules,Potentiometer,IC Socket,Relay,Connector.Our parts cover such applications as commercial,industrial, and automotives areas.

We are looking forward to setting up business relationship with you and hope to provide you with the best service and solution. Let us make a better world for our industry!



Contact us

Tel: +86-755-8981 8866 Fax: +86-755-8427 6832

Email & Skype: info@chipsmall.com Web: www.chipsmall.com

Address: A1208, Overseas Decoration Building, #122 Zhenhua RD., Futian, Shenzhen, China

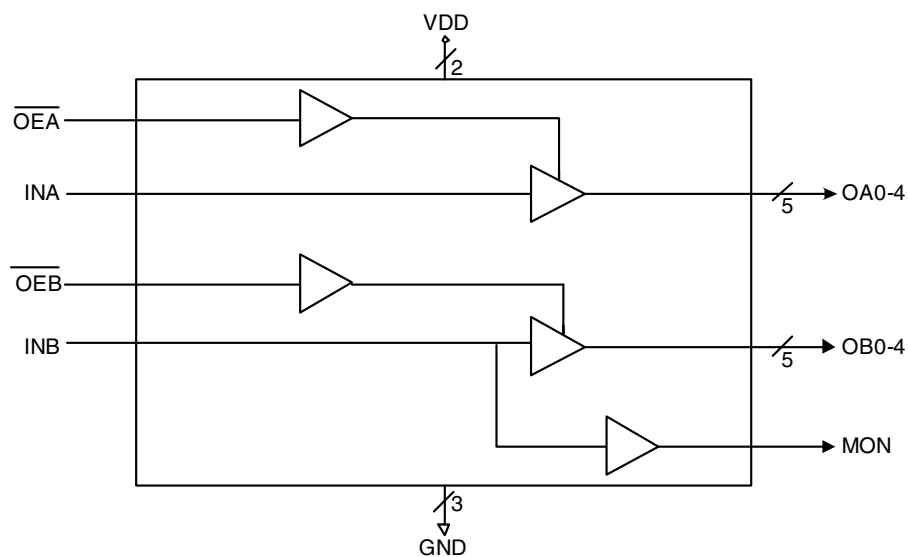


BUFFER/CLOCK DRIVER
MK3805
Description

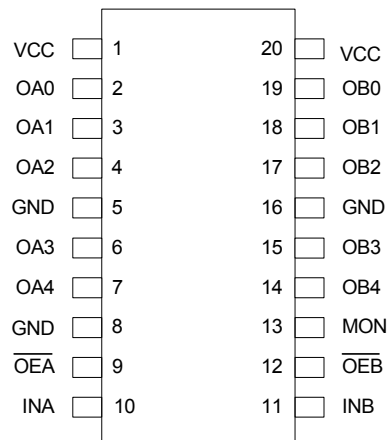
The MK3805 is a non-inverting clock driver/buffer providing two independent banks of four outputs each. These buffers have a tri-state output enable input (active low) with 1-input, 5-output configuration per group. The skew between the outputs of the same package is 0.5 ns and the skew between the outputs of different packages is 0.8 ns. The maximum input to output delay is 4.5 ns.

Features

- Packaged in 20-pin SSOP
- Pb (lead) free package
- Five outputs for each bank with one clock input
- Two separate banks of five outputs each
- Advanced, low-power, CMOS process
- Ten output clocks
- Two separate inputs
- Industrial temperature range -40° C to +85° C
- Hysteresis on all inputs

Block Diagram


Pin Assignment



20 pin (150 mil) SSOP/20 pin (300mil) SOIC

Truth Table

| Inputs | | Outputs | |
|-------------------------------------|----------|----------|-----|
| \overline{OEA} , \overline{OEB} | INA, INB | OAN, OBN | MON |
| L | L | L | L |
| L | H | H | H |
| H | L | Z | L |
| H | H | Z | H |

Pin Descriptions

| Pin Number | Pin Name | Pin Type | Pin Description |
|------------|------------------|----------|---|
| 1 | VCC | Power | Connect to +3.3 V. |
| 2 | OA0 | Output | Clock output. |
| 3 | OA1 | Output | Clock output. |
| 4 | OA2 | Output | Clock output. |
| 5 | GND | Power | Connect to ground. |
| 6 | OA3 | Output | Clock output. |
| 7 | OA4 | Output | Clock output. |
| 8 | GND | Power | Connect to ground. |
| 9 | \overline{OEA} | Input | Tri state output enable input (active low). |
| 10 | INA | Input | Clock input. |
| 11 | INB | Input | Clock input. |
| 12 | \overline{OEB} | Input | Tri state output enable input (active low). |
| 13 | MON | Output | Monitor output. |
| 14 | OB4 | Output | Clock output. |
| 15 | OB3 | Output | Clock output. |
| 16 | GND | Power | Connect to ground. |
| 17 | OB2 | Output | Clock output. |
| 18 | OB1 | Output | Clock output. |
| 19 | OB0 | Output | Clock output. |
| 20 | VCC | Power | Connect to +3.3 V. |

External Components

The MK3805 requires a minimum number of external components for proper operation.

Decoupling Capacitors

Decoupling capacitors of 0.01 μ F must be connected between VDD and GND, as close to these pins as possible. For optimum device performance, the decoupling capacitors should be mounted on the component side of the PCB. Avoid the use of vias in the decoupling circuit.

Series Termination Resistor

When the PCB trace between the clock outputs and the loads are over 1 inch, series termination should be used. To series terminate a 50 Ω trace (a commonly used trace impedance) place a 33 Ω resistor in series with the clock line, as close to the clock output pin as possible. The nominal impedance of the clock output is 20 Ω .

PCB Layout Recommendations

For optimum device performance and lowest output phase noise, the following guidelines should be observed.

- 1) The 0.01 μ F decoupling capacitors should be mounted on the component side of the board as close to the VDD pins as possible. No vias should be used between the decoupling capacitors and VDD pins. The PCB trace to VDD pin should be kept as short as possible, as should the PCB trace to the ground via.
- 2) To minimize EMI, the 33 Ω series termination resistor (if needed) should be placed close to the clock output.
- 3) An optimum layout is one with all components on the same side of the board, minimizing vias through the signal layers. Other signal traces should be routed away from the MK3805. This includes signal traces just underneath the device, or on layers adjacent to the ground plane layer used by the device.

Absolute Maximum Ratings

Stresses above the ratings listed below can cause permanent damage to the MK3805. These ratings, which are standard values for IDT commercially rated parts, are stress ratings only. Functional operation of the device at these or any other conditions above those indicated in the operational sections of the specifications is not implied. Exposure to absolute maximum rating conditions for extended periods can affect product reliability. Electrical parameters are guaranteed only over the recommended operating temperature range.

| Item | Rating |
|-------------------------------|---------------------|
| Supply Voltage, VDD | 7 V |
| All Inputs and Outputs | -0.5 V to VDD+0.5 V |
| Ambient Operating Temperature | -40 to +85° C |
| Storage Temperature | -65 to +150° C |
| Junction Temperature | 125° C |
| Soldering Temperature | 260° C |

Recommended Operation Conditions

| Parameter | Min. | Typ. | Max. | Units |
|---|-------|------|-------|-------|
| Ambient Operating Temperature | -40 | | +85 | °C |
| Power Supply Voltage (measured in respect to GND) | +3.13 | +3.3 | +3.46 | V |

DC Electrical Characteristics

Unless stated otherwise, **VDD = 3.3 V ±5%**, Ambient Temperature -40°C to +85°C

| Parameter | Symbol | Conditions | Min. | Typ. | Max. | Units |
|--------------------------|-----------------|---|---------|------|------|-------|
| Operating Voltage | VDD | | 3.13 | 3.3 | 3.46 | V |
| Supply Current | IDD | No load, $\overline{OE_A}, \overline{OE_B}$ GND, $f_o=10\text{MHz}$, 50% duty cycle | | 3.3 | | mA |
| | IDD | No load, $\overline{OE_A}, \overline{OE_B}$ GND, $f_o=2.5\text{MHz}$, 50% duty cycle | | 1.8 | | mA |
| Quiescent Current | ICC | | | 3 | 30 | μA |
| Input High Voltage | V _{IH} | | 2 | | | V |
| Input Low Voltage | V _{IL} | | | | 0.8 | V |
| Output High Voltage | V _{OH} | I _{OH} = -4 mA | VDD-0.4 | | | V |
| Output High Voltage | V _{OH} | I _{OH} = -12 mA | 2.4 | | | V |
| Output Low Voltage | V _{OL} | I _{OL} = 12 mA | | | 0.4 | V |
| Short Circuit Current | I _{OS} | CLK output | | ±50 | | mA |
| Input Capacitance | | | | 5 | | pF |
| Nominal Output Impedance | Z _O | | | 20 | | Ω |
| Input Hysteresis | V _H | | | 150 | | mV |

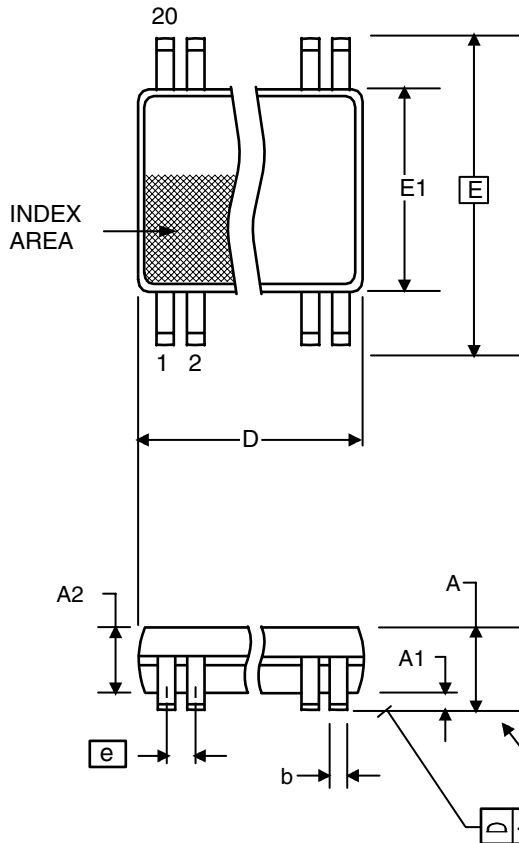
AC Electrical Characteristics

Unless stated otherwise, $V_{DD} = 3.3\text{ V} \pm 5\%$, Ambient Temperature -40°C to $+85^{\circ}\text{C}$

| Parameter | Symbol | Conditions | Min. | Typ. | Max. | Units |
|---|---|------------------------------------|------|------|------|-------|
| Skew between outputs of same package) | $tsk_{(o)}$ | $CL=50\text{ pF}$, $RL=500\Omega$ | | | 0.5 | ns |
| Skew between outputs of different packages at same temp (same transition) | $tsk_{(t)}$ | $CL=50\text{ pF}$, $RL=500\Omega$ | | | 0.8 | ns |
| Propagation Delay INA to OAN INB to OBN | t_{PLH} , t_{PHL} | $CL=50\text{ pF}$, $RL=500\Omega$ | 1.5 | | 4.5 | ns |
| Output Rise Time 0.8 V to 2.0 V | t_R | $CL=50\text{ pF}$, $RL=500\Omega$ | | | 2 | ns |
| Output Fall Time 2.0 V to 0.8 V | t_F | $CL=50\text{ pF}$, $RL=500\Omega$ | | | 2 | ns |
| Output Enable Time | $\overline{OE}A$ to OAN, $\overline{OE}B$ to OBN | $CL=50\text{ pF}$, $RL=500\Omega$ | 1.5 | | 6.2 | ns |
| Output Disable Time | $\overline{OE}A$ to OAN, $\overline{OE}B$ to OBN | $CL=50\text{ pF}$, $RL=500\Omega$ | 1.5 | | 5.0 | ns |
| Duty Cycle Measured at $V_{DD}/2$ | | $CL=50\text{ pF}$, $RL=500\Omega$ | 45 | | 55 | % |
| Operating Frequency | | $CL=50\text{ pF}$, $RL=500\Omega$ | 1 | | 100 | MHz |

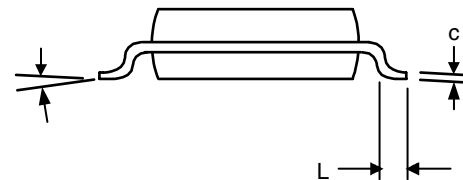
Package Outline and Package Dimensions (20-pin SSOP, 150 Mil. Body)

Package dimensions are kept current with JEDEC Publication No. 95



| Symbol | Millimeters | | Inches* | |
|----------|-------------|------|-------------|-------|
| | Min | Max | Min | Max |
| A | 1.35 | 1.75 | .053 | .069 |
| A1 | 0.10 | 0.25 | .0040 | .010 |
| A2 | -- | 1.50 | -- | .059 |
| b | 0.20 | 0.30 | 0.008 | 0.012 |
| C | 0.18 | 0.25 | .007 | .010 |
| D | 8.55 | 8.75 | .337 | .344 |
| E | 5.80 | 6.20 | .228 | .244 |
| E1 | 3.80 | 4.00 | .150 | .157 |
| e | 0.635 Basic | | 0.025 Basic | |
| L | 0.40 | 1.27 | .016 | .050 |
| α | 0° | 8° | 0° | 8° |

*For reference only. Controlling dimensions in mm.



Ordering Information

| Part / Order Number | Marking | Shipping Packaging | Package | Temperature |
|---------------------|------------|--------------------|-------------|---------------|
| MK3805RILF | MK3805RILF | Tubes | 20-pin SSOP | -40 to +85° C |
| MK3805RILFTR | MK3805RILF | Tape and Reel | 20-pin SSOP | -40 to +85° C |

“LF” suffix to the part number are the Pb-Free configuration and are RoHS compliant.

While the information presented herein has been checked for both accuracy and reliability, Integrated Device Technology (IDT) assumes no responsibility for either its use or for the infringement of any patents or other rights of third parties, which would result from its use. No other circuits, patents, or licenses are implied. This product is intended for use in normal commercial applications. Any other applications such as those requiring extended temperature range, high reliability, or other extraordinary environmental requirements are not recommended without additional processing by IDT. IDT reserves the right to change any circuitry or specifications without notice. IDT does not authorize or warrant any IDT product for use in life support devices or critical medical instruments.

Innovate with IDT and accelerate your future networks. Contact:

www.IDT.com

For Sales

800-345-7015
408-284-8200
Fax: 408-284-2775

For Tech Support

www.idt.com/go/clockhelp

Corporate Headquarters

Integrated Device Technology, Inc.
www.idt.com



www.IDT.com