



Chipsmall Limited consists of a professional team with an average of over 10 year of expertise in the distribution of electronic components. Based in Hongkong, we have already established firm and mutual-benefit business relationships with customers from,Europe,America and south Asia,supplying obsolete and hard-to-find components to meet their specific needs.

With the principle of "Quality Parts,Customers Priority,Honest Operation,and Considerate Service",our business mainly focus on the distribution of electronic components. Line cards we deal with include Microchip,ALPS,ROHM,Xilinx,Pulse,ON,Everlight and Freescale. Main products comprise IC,Modules,Potentiometer,IC Socket,Relay,Connector.Our parts cover such applications as commercial,industrial, and automotives areas.

We are looking forward to setting up business relationship with you and hope to provide you with the best service and solution. Let us make a better world for our industry!



## Contact us

Tel: +86-755-8981 8866 Fax: +86-755-8427 6832

Email & Skype: info@chipsmall.com Web: www.chipsmall.com

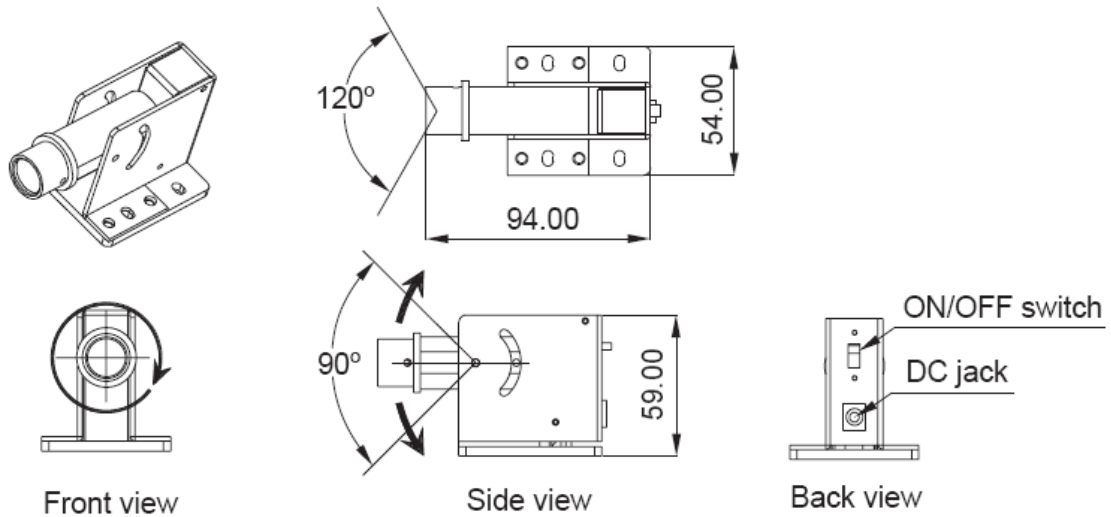
Address: A1208, Overseas Decoration Building, #122 Zhenhua RD., Futian, Shenzhen, China



# Quarton Laser Module

## Part #VLM-ML100 (LINE GENERATOR)

Mechanical Dimensions (UNITS: mm)



SPECIFICATIONS:	VLM-ML100 (LINE GENERATOR)
Collimating Lens	Aspherical plastic
Cylindric lens	<b>Quartz rod lens</b>
Cw Output Power (Po)	<b>≅1mW</b>
Emitting angle	>120°
ESD Protection	15 KV
Laser Class / Applicable Countries	<b>Class 2 / Europe, Japan, USA</b>
Mean time to failure (MTTF) 3mW 25°	5,000 Hours
Operating Current (Iop)	40±15 mA
Operating Voltage (Vop)	3.5~6V
Power Connection	Wire leads (2)
Laser line width	≅2mm at 4m
Laser line accuracy	<0.01° (40") at 4m
Dimensions(L x W x H)	94 x 54 x 59
Temperature Range - Operating	+5°C thru +40°C
Temperature Range - Storage	-20°C thru +60°C
Wavelength at peak emission (λp)	630~645nm
RoHS Compliant	Yes