



Chipsmall Limited consists of a professional team with an average of over 10 year of expertise in the distribution of electronic components. Based in Hongkong, we have already established firm and mutual-benefit business relationships with customers from,Europe,America and south Asia,supplying obsolete and hard-to-find components to meet their specific needs.

With the principle of “Quality Parts,Customers Priority,Honest Operation,and Considerate Service”,our business mainly focus on the distribution of electronic components. Line cards we deal with include Microchip,ALPS,ROHM,Xilinx,Pulse,ON,Everlight and Freescale. Main products comprise IC,Modules,Potentiometer,IC Socket,Relay,Connector.Our parts cover such applications as commercial,industrial, and automotives areas.

We are looking forward to setting up business relationship with you and hope to provide you with the best service and solution. Let us make a better world for our industry!



Contact us

Tel: +86-755-8981 8866 Fax: +86-755-8427 6832

Email & Skype: info@chipsmall.com Web: www.chipsmall.com

Address: A1208, Overseas Decoration Building, #122 Zhenhua RD., Futian, Shenzhen, China





Series ML-100 Mini-Link™ Miniature Jumpers

FEATURES:

- Mini-Link™ miniature jumpers are useful for jumpering .025 [.63] square pins on .100 [2.54] centers.
- Used to jumper from row-to-row or from pin-to-pin.
- Their miniature size makes it possible to stack one on top of the other.
- A convenient test probe slot is provided as well.
- Mini-Links™ are available from the factory with or without a handle, used for ease of inserting or extracting.
- Sold in multiples of 50.

SPECIFICATIONS:

- Body material is black UL 94V-0 Glass-filled 4/6 Nylon.
- Contacts are Beryllium Copper Alloy 174, spring tempered, per ASTM B768.
- Standard contact plating is 20μ [.51μm] Gold per MIL-G-45204 over 50μ [1.27μm] min. Nickel per SAE-AMS-QQ-N-290.
- Current rating=3 Amps.
- Operating temperature= -67°F to 257°F [-55°C to 125°C]
- Insertion Force=210 ± 40 grams/pin.
- Withdrawal Force=180 ± 40 grams/pin.
- Minimum insertion depth=.075 [1.91].



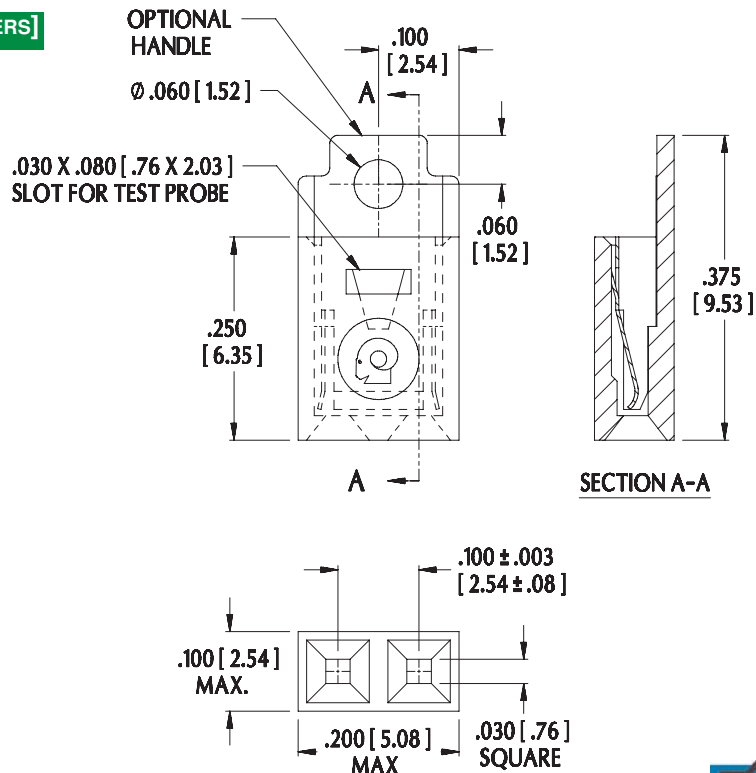
Note: Aries specializes in custom design and production. In addition to the standard products shown on this page, special materials, platings, sizes, and configurations can be furnished, depending on quantities. Aries reserves the right to change product specifications without notice.

ORDERING INFORMATION

Part Number	Plating	Handle
ML-100	GOLD	YES
ML-100S	GOLD	NO

ALL DIMENSIONS: INCHES [MILLIMETERS]

All tolerances ± .005 [.13] unless otherwise specified



ARIES[®]
ELECTRONICS, INC.
http://www.arieselec.com • info@arieselec.com

Bristol, PA USA
TEL: (215) 781-9956
FAX: (215) 781-9845



16002
REV. C