



Chipsmall Limited consists of a professional team with an average of over 10 year of expertise in the distribution of electronic components. Based in Hongkong, we have already established firm and mutual-benefit business relationships with customers from,Europe,America and south Asia,supplying obsolete and hard-to-find components to meet their specific needs.

With the principle of “Quality Parts,Customers Priority,Honest Operation,and Considerate Service”,our business mainly focus on the distribution of electronic components. Line cards we deal with include Microchip,ALPS,ROHM,Xilinx,Pulse,ON,Everlight and Freescale. Main products comprise IC,Modules,Potentiometer,IC Socket,Relay,Connector.Our parts cover such applications as commercial,industrial, and automotives areas.

We are looking forward to setting up business relationship with you and hope to provide you with the best service and solution. Let us make a better world for our industry!



Contact us

Tel: +86-755-8981 8866 Fax: +86-755-8427 6832

Email & Skype: info@chipsmall.com Web: www.chipsmall.com

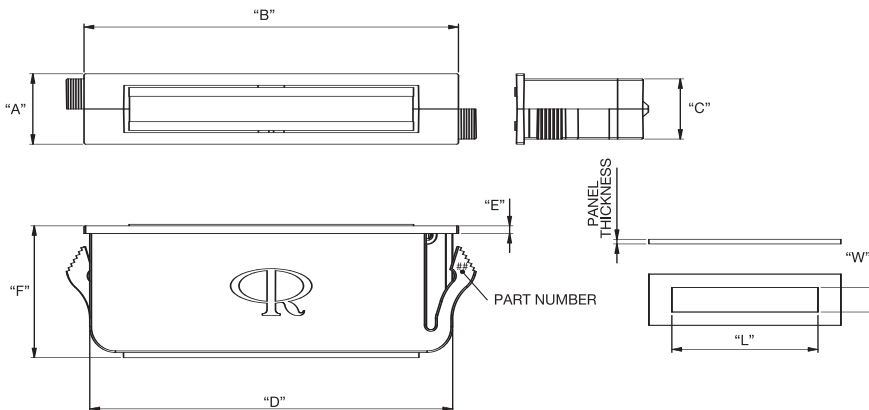
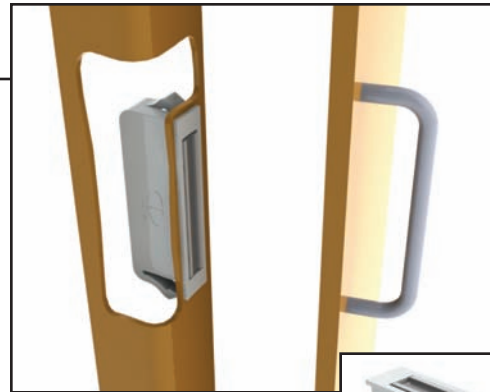
Address: A1208, Overseas Decoration Building, #122 Zhenhua RD., Futian, Shenzhen, China



Introducing the *ML* Magnetic Latches

Features and Benefits

- Holds metal doors or a steel striker fixed to a non-metallic surface
- Quick snap-in installation in a single mounting hole
- Relatively low breakaway forces hold lighter doors firmly shut, yet allows easy opening or closing
- Can eliminate the need for latch hardware on door
- Allows for misalignment
- 8 different sizes available in 2 colors; black and white



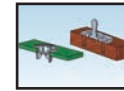
Markets

- Electronic Enclosures
- Automotive
- Consumer Electronics
- Point of Purchase
- Vending Machines
- Heating Ventilation and Air-Conditioning

Other Related Richco Product Solutions



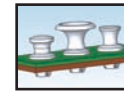
DCS



CS



QTPF



SLP/SLPG

Part No.		Material: Housing; Polypropylene, RMS-150; Housing Pole; 1010 Steel, RMS-198, Zinc Coating, RMS-354; Magnet; Betaflex, RMS-408 Standard Pack: 10 per bag											
Color: White	Color: Black	"A"	"B"	"C"	"D"	"E"	"F"	"G"	"H"	Panel Thickness	"L"	"W"	
ML-S-1	ML-S-1BK	.303 (7.7)	.929 (23.6)	.236 (6)	.858 (21.8)	.031 (0.8)	1.063 (27)	.020 (0.5) .079 (2)	.524 (13.3)	.020-.079 (0.5-2) .079-.138 (2-3.5)	.875 (22.2)	.250 (6.4)	
ML-S-2	ML-S-2BK												
ML-M-1	ML-M-1BK	.362 (9.5)	1.563 (39.7)	.303 (7.7)	1.484 (37.7)	.031 (0.8)	1.791 (45.5)	.020 (0.5) .079 (2) .138 (3.5)	1.00 (25.4)	.020-.079 (0.5-2) .079-.138 (2-3.5) .138-.197 (3.5-5)	1.50 (38.1)	.320 (8.1)	
ML-M-2	ML-M-2BK												
ML-M-3	ML-M-3BK												
ML-L-1	ML-L-1BK	.433 (11)	2.303 (58.5)	.362 (9.2)	2.232 (56.7)	.047 (1.2)	2.52 (64)	.020 (0.5) .079 (2) .138 (3.5)	.811 (20.6)	.020-.079 (0.5-2) .079-.138 (2-3.5) .138-.197 (3.5-5)	2.25 (57.1)	.380 (9.6)	
ML-L-2	ML-L-2BK												
ML-L-3	ML-L-3BK												