



Chipsmall Limited consists of a professional team with an average of over 10 year of expertise in the distribution of electronic components. Based in Hongkong, we have already established firm and mutual-benefit business relationships with customers from,Europe,America and south Asia,supplying obsolete and hard-to-find components to meet their specific needs.

With the principle of “Quality Parts,Customers Priority,Honest Operation,and Considerate Service”,our business mainly focus on the distribution of electronic components. Line cards we deal with include Microchip,ALPS,ROHM,Xilinx,Pulse,ON,Everlight and Freescale. Main products comprise IC,Modules,Potentiometer,IC Socket,Relay,Connector.Our parts cover such applications as commercial,industrial, and automotives areas.

We are looking forward to setting up business relationship with you and hope to provide you with the best service and solution. Let us make a better world for our industry!



## Contact us

Tel: +86-755-8981 8866 Fax: +86-755-8427 6832

Email & Skype: info@chipsmall.com Web: www.chipsmall.com

Address: A1208, Overseas Decoration Building, #122 Zhenhua RD., Futian, Shenzhen, China



DIMENSIONS ARE IN INCHES		UNLESS OTHERWISE NOTED	TOLERANCES ARE:
ONE PLACE DECIMALS ± .1 [2.54]	THREE PLACE DECIMALS ± .005 [.127]	ANGLES ± 2°	
TWO PLACE DECIMALS ± .01 [.254]	FOUR PLACE DECIMALS ± .0020 [.051]		

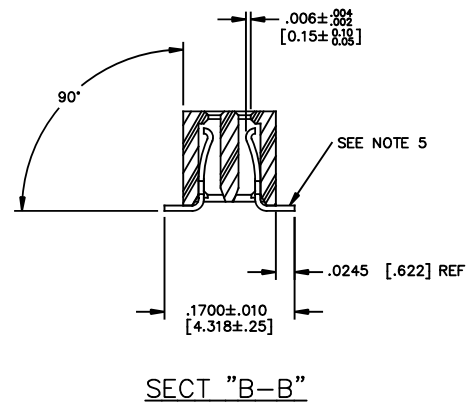
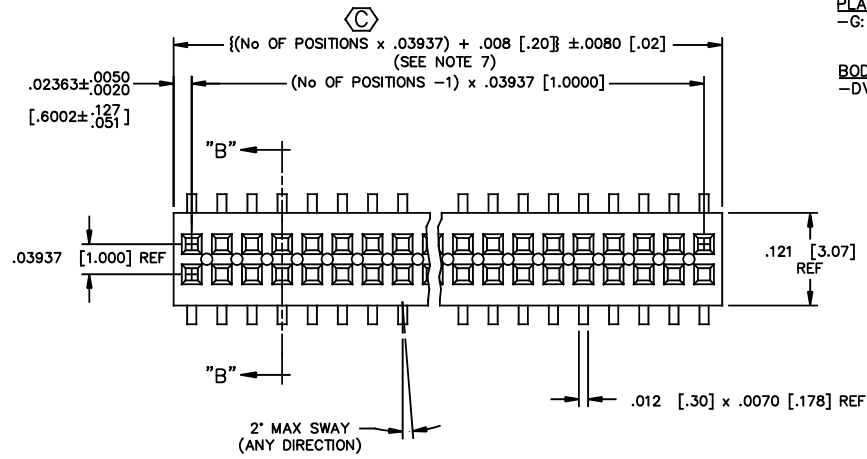
TITLE:  
1mm DUAL ROW STRIP ASSEMBLY

DWG NO:  
MLE-1XX-XX-X-DV-X  
SHEET 1 OF 3

**PATENT NUMBERS**  
5713755 / 5961339

MLE-1XX-XX-X-DV-X

<b>No OF POSITIONS</b> -02 THRU -75 (PER ROW)	<b>LEAD STYLE</b> -01: SURFACE MOUNT (USE C-99-01-X)	<b>PLATING SPECIFICATION</b> -G: .000010 GOLD ON .000050 TO .000100 NICKEL	<b>BODY SPECIFICATION</b> -DV: DOUBLE VERTICAL (USE MLE-XX-D)	<b>OPTION</b>
				-A: ALIGNMENT PIN (SEE FIG 2 & 3, SHT 2) (USE MLE-XX-D-XX) (MOLDED TO POSITION OR STAKED) (SAMTEC DISCRETION WHICH -A PIN IS USED) (MOLDED 3 POSITION MIN. SEE FIG 2, SHT 2) (STAKED 7 POSITION MIN. SEE FIG 3, SHT 2)
				-P: PICK & PLACE PAD (SEE FIG 4, SHT 2) (USE LMP-01) POSITIONS-05, AND -06 MUST BE PACKAGED IN T&R (AVAILABLE ON POSITIONS -05 THRU -75 ONLY)
				-K: POLYIMIDE FILM PAD (SEE FIG 5, SHT 2) (-05 POSITIONS MINIMUM) (USE K-DOT-.157-.250-.005)
				-TR: TAPE & REEL (SEE FIG 6, SHT 3)



- NOTES:
- MINIMUM PUSHOUT FORCE: .5 lb.
  - COPLANARITY; POS -02 THRU -26: .004 [.10]
  - Ⓢ REPRESENTS AS CRITICAL DIMENSION .006 [.15]
  - POSITIONS -05, -06 WITH PICK AND PLACE PADS -P TO BE PACKAGED IN T&R, POSITIONS -05, 06 WITHOUT PICK AND PLACE PADS -P AND POSITIONS -07 THRU -75 WITH OR WITHOUT PICK AND PLACE PADS -P TO BE PACKAGED IN TUBES, POSITIONS -02 THRU -04 TO BE LAYER PACKAGED.
  - BURR ALLOWANCE: .003 [.08] MAX
  - .010 [.25] MAX CUT FLASH NOT TO PROTRUDE BELOW LEADS.
  - WILL LOSE TWO POSITIONS FOR EVERY CUT MADE. MAXIMUM CUT FLASH TO BE .010 [.25] WITH NO FLASH IN HOLES OR EXTENDING BELOW LEADS.
  - ENDWALL THICKNESS TO BE SYMMETRICAL WITHIN .005 [.13].

DO NOT SCALE FROM THIS PRINT

**\*PROPRIETARY NOTE\***  
THIS DOCUMENT CONTAINS CONFIDENTIAL AND PROPRIETARY INFORMATION AND ALL RIGHTS, MANUFACTURING, REPRODUCTION, USE, PATENT RIGHTS AND TRADE SECRETS ARE EXPRESSLY RESERVED BY SAMTEC, INC. THIS DOCUMENT SHALL NOT BE REPRODUCED, IN WHOLE OR PART, IN ANY MANNER WITHOUT THE EXPRESS WRITTEN PERMISSION OF SAMTEC, INC.

MATERIAL: INSULATOR: BLACK LIQUID CRYSTAL POLYMER  TERMINAL: BERYLLIUM COPPER		
	MADE BY: D PURVIS 01-07-97	520 PARK EAST BLVD. NEW ALBANY, INDIANA 47150 PHONE (812) 944-6733 P.O. BOX 1147 CODE 55322