



Chipsmall Limited consists of a professional team with an average of over 10 year of expertise in the distribution of electronic components. Based in Hongkong, we have already established firm and mutual-benefit business relationships with customers from,Europe,America and south Asia,supplying obsolete and hard-to-find components to meet their specific needs.

With the principle of “Quality Parts,Customers Priority,Honest Operation,and Considerate Service”,our business mainly focus on the distribution of electronic components. Line cards we deal with include Microchip,ALPS,ROHM,Xilinx,Pulse,ON,Everlight and Freescale. Main products comprise IC,Modules,Potentiometer,IC Socket,Relay,Connector.Our parts cover such applications as commercial,industrial, and automotives areas.

We are looking forward to setting up business relationship with you and hope to provide you with the best service and solution. Let us make a better world for our industry!



## Contact us

Tel: +86-755-8981 8866 Fax: +86-755-8427 6832

Email & Skype: info@chipsmall.com Web: www.chipsmall.com

Address: A1208, Overseas Decoration Building, #122 Zhenhua RD., Futian, Shenzhen, China



## MODEL MLPS - MICRO-LINE POWER SUPPLY

- PROVIDES +12 VDC POWER TO BACKLIGHT VERSIONS OF THE MICRO-LINE SERIES
- 115/230 VAC SWITCH SELECTABLE
- 12 VDC OUTPUT @ 80 mA
- EASILY ATTACHED TO BACKLIGHT VERSIONS



UL Recognized Component,  
 File # E143054



### DESCRIPTION

The Model MLPS is a +12 VDC power supply designed to attach to the rear of backlight versions of the Micro-Line Series. The MLPS can be powered from either a 115 VAC or 230 VAC source and is switch selectable.

*Caution: The maximum output current of the MLPS is 80 mA. Check the specifications of the specific counter(s)/indicator(s) and sensors(s) being used to ensure that total current requirements do not exceed 80 mA.*

### SAFETY SUMMARY

All safety related regulations, local codes and instructions that appear in the manual or on equipment must be observed to ensure personal safety and to prevent damage to either the instrument or equipment connected to it. If equipment is used in a manner not specified by the manufacturer, the protection provided by the equipment may be impaired.

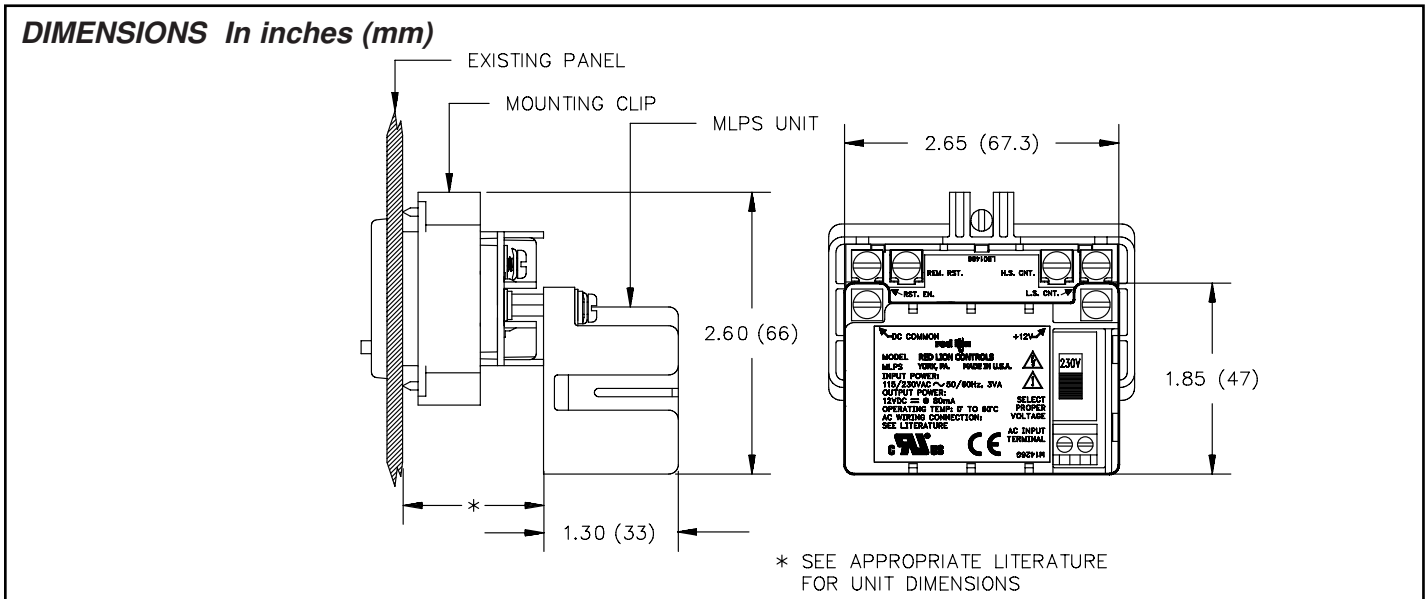
### SPECIFICATIONS

- POWER REQUIREMENTS:** Switch selectable 115/230 VAC ( $\pm 10\%$ ), 50/60 Hz, 3 VA. The unit is shipped from factory in the 230 VAC position. The MLPS is listed in the UL Recognized Component Directory Category QJFU2 as having an Output category (OC) of NEC Class 2.
- POWER OUTPUT:** +12 VDC (+5/-25%) @ 80 mA max.
- ENVIRONMENTAL CONDITIONS:**
  - Operating Temperature:** 0 to 60°C
  - Storage Temperature:** -30 to 75°C
  - Operating and Storage Humidity:** 85% max. (non-condensing) from 0°C to 50°C.
  - Altitude:** Up to 2000 meters
- CERTIFICATIONS AND COMPLIANCES:**
  - SAFETY**  
 UL Recognized Component, File # E143054, UL1012, CSA 22.2 No. 107.1  
 Recognized to U.S. and Canadian requirements under the Component Recognition Program of Underwriters Laboratories Inc.

<b>CAUTION:</b> Read complete instructions prior to installation and operation of the unit.	<b>CAUTION:</b> Risk of electric shock.

### ORDERING INFORMATION

MODEL NO.	DESCRIPTION	PART NUMBER
MLPS	Micro Line/Sensor Power Supply	MLPS0000



## SPECIFICATIONS (Cont'd)

### 4. CERTIFICATIONS AND COMPLIANCES: (Cont'd)

IECEE CB Scheme Test Certificate # US/5685/UL

CB Scheme Test Report # 01ME22279-01302002

Issued by Underwriters Laboratories, Inc.

IEC 1010-1, EN 61010-1: Safety requirements for electrical equipment for measurement, control, and laboratory use, Part 1.

### ELECTROMAGNETIC COMPATIBILITY

#### Immunity to EN 50082-2

Electrostatic discharge	EN 61000-4-2	Level 2; 4 Kv contact Level 3; 8 Kv air
Electromagnetic RF fields	EN 61000-4-3	Level 3; 10 V/m 80 MHz - 1 GHz
Fast transients (burst)	EN 61000-4-4	Level 4; 2 Kv I/O Level 3; 2 Kv power
RF conducted interference	EN 61000-4-6	Level 3; 10 V/rms 150 KHz - 80 MHz
Power frequency magnetic fields	EN 61000-4-8	Level 4; 30 A/m

#### Emissions to EN 50081-1

RF interference	EN 55011	Enclosure class B Power mains class B
-----------------	----------	--

5. **CONSTRUCTION:** High impact black plastic. Two hex stand-offs and two washers included. Installation Category II, Pollution Degree 2.

6. **CONNECTION:** Two position terminal block which accepts one 14 AWG wire (torque terminal screws to 5 inch-lbs. [-6Nm]).

7. **WEIGHT:** 4 oz (113 g)

## TROUBLESHOOTING

For further technical assistance, contact technical support at the appropriate company numbers listed.

### INSTALLATION ENVIRONMENT

The unit should be installed in a location that does not exceed the maximum operating temperature and provides good air circulation. Placing the unit near devices that generate excessive heat should be avoided.

### Installation Procedure

The MLPS is shipped with all the necessary hardware to mount to the rear of an installed backlight version Micro-Line unit. The user must remove the common and V+ screw terminals on the rear of the Micro-Line unit (Save these screw terminals for later use). Install the 1/4" hex drive stand-offs into the common and V+ terminals. The MLPS is then mounted to the stand-offs using the screw terminals from the compatible Micro-Line unit with the supplied square washers. AC power can then be connected to the terminal block of the MLPS.

*Note: Make sure the A.C. selector switch is set to the appropriate position before applying power to the unit.*

