



Chipsmall Limited consists of a professional team with an average of over 10 year of expertise in the distribution of electronic components. Based in Hongkong, we have already established firm and mutual-benefit business relationships with customers from,Europe,America and south Asia,supplying obsolete and hard-to-find components to meet their specific needs.

With the principle of “Quality Parts,Customers Priority,Honest Operation,and Considerate Service”,our business mainly focus on the distribution of electronic components. Line cards we deal with include Microchip,ALPS,ROHM,Xilinx,Pulse,ON,Everlight and Freescale. Main products comprise IC,Modules,Potentiometer,IC Socket,Relay,Connector.Our parts cover such applications as commercial,industrial, and automotives areas.

We are looking forward to setting up business relationship with you and hope to provide you with the best service and solution. Let us make a better world for our industry!



## Contact us

Tel: +86-755-8981 8866 Fax: +86-755-8427 6832

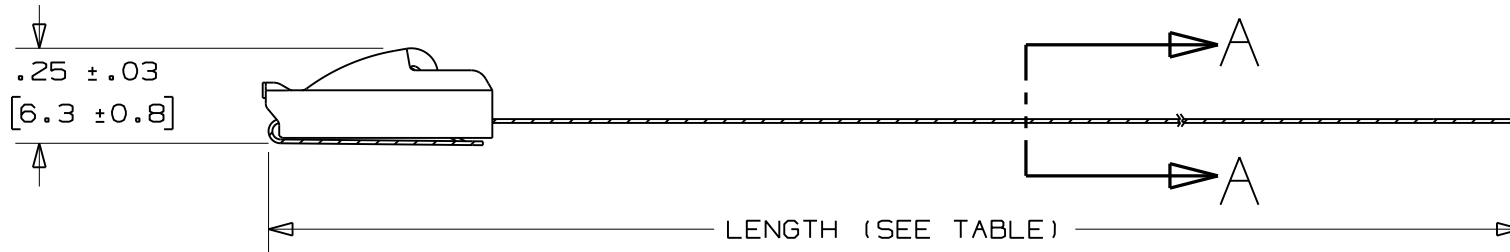
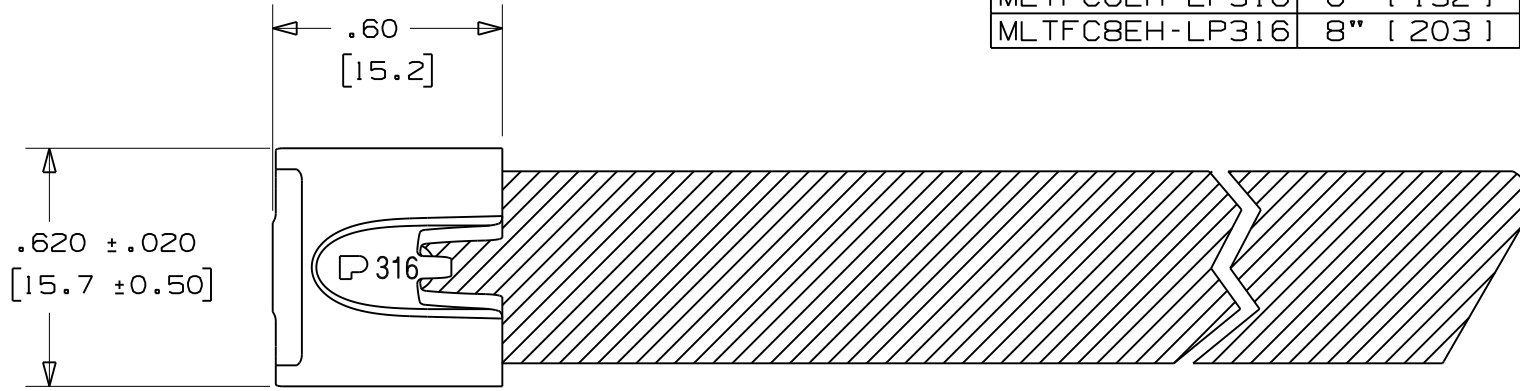
Email & Skype: info@chipsmall.com Web: www.chipsmall.com

Address: A1208, Overseas Decoration Building, #122 Zhenhua RD., Futian, Shenzhen, China



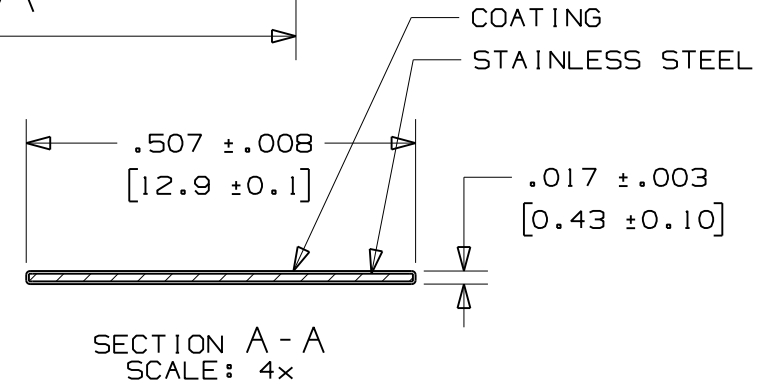
THIS COPY IS PROVIDED ON A RESTRICTED BASIS AND IS NOT TO BE USED IN ANY WAY DETRIMENTAL TO THE INTERESTS OF PANDUIT CORP.

PANDUIT PART NUMBER	MAX. BUNDLE DIAMETER	PACKAGE QUANTITY	LENGTH +/- .3" [ 7 ]
MLTFC2EH-LP316	2" [ 51 ]	50	11.8" [ 300 ]
MLTFC4EH-LP316	4" [ 102 ]	50	17.1" [ 434 ]
MLTFC6EH-LP316	6" [ 152 ]	50	23.4" [ 594 ]
MLTFC8EH-LP316	8" [ 203 ]	50	29.7" [ 754 ]



NOTES:

1. APPLICATION TOOLS - ST3MT & RT2HT
2. MINIMUM LOOP TENSILE STRENGTH - 300 LBS. (1335 NEWTONS) WHEN TESTED ON A 3" MANDREL.
3. BRACKETS [ ] DENOTES DIMENSION IN MILLIMETERS
4. TOLERANCES:  
 .XXX = ±.010 [ .25 ]  
 .XX = ±.02 [ .5 ]  
 .X = ±.03 [ .8 ]  
 ANGLES = ±2°
5. BASE MATERIAL: 316 STAINLESS STEEL
6. COATING - POLYESTER  
 COATING THICKNESS: .002 MIN./ .005 MAX. PER SIDE



N41216BS\_DC/01A

						TINLEY PARK, ILLINOIS			
01A	10/08	JAMB	SKB					ORIG CAD FILE SPEC WAS S41216_01 NOTE 1: APPLICATION TOOL RTIHT REPLACED BY RT2HT	
01	4/07	JMMR	EJD	ADDED NOTE 6	SS00350	METAL LOCKING TIE EXTRA HEAVY DUTY FULLY COATED 316 STAINLESS STEEL CUSTOMER DRAWING			
00	9/05	JAMB	EJD	RELEASED	SS00052				
REV	DATE	BY	CHK	DESCRIPTION	ECN #	DRAWN BY JAMB	CHK'D EJD	SCALE 2x	DRAWING NO. N41216BS_DC