



Chipsmall Limited consists of a professional team with an average of over 10 year of expertise in the distribution of electronic components. Based in Hongkong, we have already established firm and mutual-benefit business relationships with customers from,Europe,America and south Asia,supplying obsolete and hard-to-find components to meet their specific needs.

With the principle of "Quality Parts,Customers Priority,Honest Operation,and Considerate Service",our business mainly focus on the distribution of electronic components. Line cards we deal with include Microchip,ALPS,ROHM,Xilinx,Pulse,ON,Everlight and Freescale. Main products comprise IC,Modules,Potentiometer,IC Socket,Relay,Connector.Our parts cover such applications as commercial,industrial, and automotives areas.

We are looking forward to setting up business relationship with you and hope to provide you with the best service and solution. Let us make a better world for our industry!



Contact us

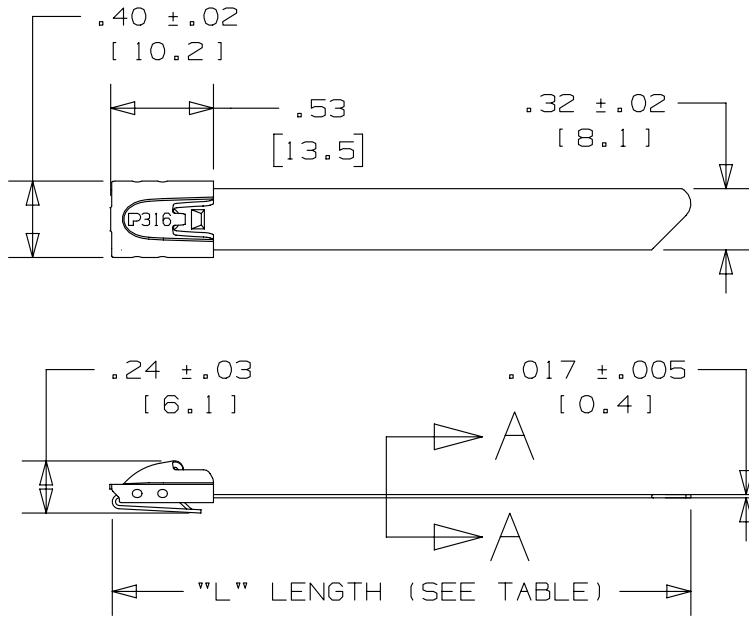
Tel: +86-755-8981 8866 Fax: +86-755-8427 6832

Email & Skype: info@chipsmall.com Web: www.chipsmall.com

Address: A1208, Overseas Decoration Building, #122 Zhenhua RD., Futian, Shenzhen, China



THIS COPY IS PROVIDED ON A RESTRICTED BASIS AND IS NOT TO BE USED IN ANY WAY DETRIMENTAL TO THE INTERESTS OF PANDUIT CORP.



PANDUIT PART NUMBER	COLOR	PACKAGE QUANTITY	MAXIMUM BUNDLE DIAMETER	"L" LENGTH ±3.0
MLTFC2H-LP316RD	RED	50	2.0" (51)	7.9" (201)
MLTFC4H-LP316RD	RED	50	4.0" (102)	14.3" (362)
MLTFC6H-LP316RD	RED	50	6.0" (152)	20.5" (521)
MLTFC2H-LP316YL	YELLOW	50	2.0" (51)	7.9" (201)
MLTFC4H-LP316YL	YELLOW	50	4.0" (102)	14.3" (362)
MLTFC6H-LP316YL	YELLOW	50	6.0" (152)	20.5" (521)
MLTFC2H-LP316GR	GREEN	50	2.0" (51)	7.9" (201)
MLTFC4H-LP316GR	GREEN	50	4.0" (102)	14.3" (362)
MLTFC6H-LP316GR	GREEN	50	6.0" (152)	20.5" (521)
MLTFC2H-LP316BU	BLUE	50	2.0" (51)	7.9" (201)
MLTFC4H-LP316BU	BLUE	50	4.0" (102)	14.3" (362)
MLTFC6H-LP316BU	BLUE	50	6.0" (152)	20.5" (521)
MLTFC2H-LP316WH	WHITE	50	2.0" (51)	7.9" (201)
MLTFC4H-LP316WH	WHITE	50	4.0" (102)	14.3" (362)
MLTFC6H-LP316WH	WHITE	50	6.0" (152)	20.5" (521)

- NOTES:
1. APPLICATION TOOLS - HTMT, GS4MT, PPTMT, ST2MT
 2. MINIMUM LOOP TENSILE STRENGTH - 250 LBS (1112 NEWTONS) WHEN TESTED ON 1.5" MANDREL
 3. BRACKETS [] DENOTE DIMENSIONS IN MILLIMETERS, AND ARE SHOWN FOR REFERENCE ONLY
 4. BASE MATERIAL - 316 STAINLESS STEEL
COATING MATERIAL - POLYESTER
COATING THICKNESS - .002"-.005" (.05-.13) THICK

FULLY ROUNDED EDGES ALONG STRAP BODY

SECTION A - A
SCALE 4:1

REV	DATE	BY	CHK	APR	DESCRIPTION	ECN
02A	6/12	JAMB	MIM	RGRO	UPDATE DRAWING TO NEW GLOBAL PANDUIT TITLE BLOCK WITH PANDUIT LOGO NOTE #1- REMOVED ST3MT APPLICATION TOOL: TOOL IS OBSOLETE	SSECN01057
01A	2/12	MIM	RGRO	---	NOTE #3 METRIC DIMENSIONS NOTED AS BEING SHOWN FOR REFERENCE ONLY	-----
00A	8/08	MIM	ROL	---	DRAWING RELEASED	-----

TITLE				
METAL LOCKING TIES COATED HEAVY SERIES				
CUSTOMER DRAWING				
ITEM REVISION NAME		N41659BS/02		
DATASET FILE NAME		N41659BS_DC/02A		
UNLESS OTHERWISE SPECIFIED, DIMENSIONAL TOLERANCES ARE: IN [mm]				MATERIAL:
.x ± .1 [2.54] .xxx ± .005 [.127] .xx ± .01 [.25] ANGLES ± 5 °				SEE NOTES
				DRAWING NUMBER:
THIRD ANGLE PROJECTION				N41659BS_DC
DRAWN BY	DATE	CHK	SCALE	SIZE
MIM	08/20/08	SKB	NONE	A