



Chipsmall Limited consists of a professional team with an average of over 10 year of expertise in the distribution of electronic components. Based in Hongkong, we have already established firm and mutual-benefit business relationships with customers from,Europe,America and south Asia,supplying obsolete and hard-to-find components to meet their specific needs.

With the principle of “Quality Parts,Customers Priority,Honest Operation,and Considerate Service”,our business mainly focus on the distribution of electronic components. Line cards we deal with include Microchip,ALPS,ROHM,Xilinx,Pulse,ON,Everlight and Freescale. Main products comprise IC,Modules,Potentiometer,IC Socket,Relay,Connector.Our parts cover such applications as commercial,industrial, and automotives areas.

We are looking forward to setting up business relationship with you and hope to provide you with the best service and solution. Let us make a better world for our industry!



Contact us

Tel: +86-755-8981 8866 Fax: +86-755-8427 6832

Email & Skype: info@chipsmall.com Web: www.chipsmall.com

Address: A1208, Overseas Decoration Building, #122 Zhenhua RD., Futian, Shenzhen, China



Part No.	Temperature Code	Package Code	Silicon Version	Option Code	Packing Format
MLX90393	S (-20°C to 85°C)	LW (QFN16 3x3mm)	ABA	011	RE (Reel)

1. Scope

This document holds the specification of a 3-axis magnetometer targeting low-power applications. The IC is based on the Hall-effect and the patented Triaxis® technology from Melexis. The output signals (raw X, Y, Z Magnetic data and Temperature data) will be provided through the I2C fast mode protocol, or via half-duplex SPI (3- or 4-wire). There is an on-board non-volatile memory to store calibration data on-chip.

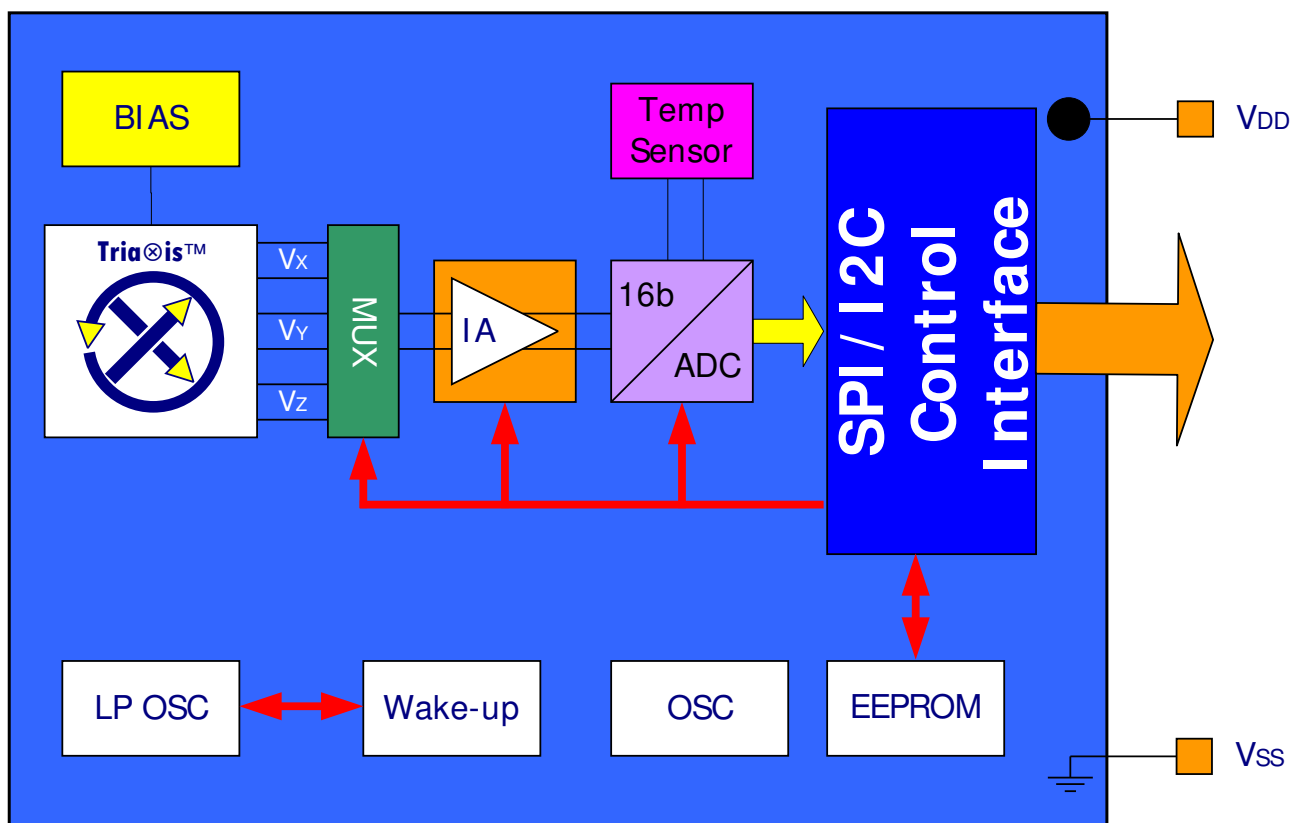


Figure 1: High-level Block Diagram

2. Absolute Maximum Ratings

The MLX90393 can withstand the conditions described in the table below for short periods of time; they do not constitute conditions for normal operation.

Parameter	Remark	Min	Nom	Max	Unit
V _{DD_MAX}	Analog Supply Voltage Limits	-0.3		4	V
V _{DD_IO_MAX}	Digital IO Supply Limits	-0.3		min(4, V _{DD} +0.3)	V
T _{STORAGE}	Storage (idle) temperature range	-50		125	°C
ESD _{HBM}	According to AEC-Q100-002	2.5			kV
ESD _{CDM}	According to AEC-Q100-011-B (QFN)	750			V

3. Thermal Specification

The MLX90393 has an on-board temperature sensor which measures the temperature of the MLX90393 sensor. The temperature can be read out via the communication protocol in a digital format.

Parameter	Remark	Min	Nom	Max	Unit
T _{RES}	Temperature sensor resolution		45.2		LSB/°C
T ₂₅	Temperature sensor output at 25°C		46244		LSB _{16u}
T _{LIN}	Temperature Linearity ⁽¹⁾		+/-3		°C
T _{OPERATING}	Operating temperature range	-20	25	85	°C

- (1) The linearity is defined as the best fit curve through the digital temperature outputs over the entire temperature range. It includes ADC non-linearity effects.

4. Electrical Specification

The specifications are applicable at 25degC, unless specified otherwise, and for the complete supply voltage range.

Parameter	Remark	Min	Nom	Max	Unit
V _{DD}	Analog Supply Voltage	2.2	3	3.6	V
V _{DD_IO}	Digital IO Supply	1.65	1.8	V _{DD}	V
V _{POR_LH}	Power-on Reset threshold (rising edge)		1.42	1.55	V
V _{POR_HL}	Power-on Reset threshold (falling edge)	1	1.31		V
I _{DD,CONVXY}	Conversion Current XY-axis		2.29	3	mA
I _{DD,CONVZ}	Conversion Current Z-axis		2.96	4	mA

Parameter	Remark	Min	Nom	Max	Unit
I _{DD,CONVT}	Conversion Current Temperature		1.60	2	mA
I _{DD,STBY}	Standby Current ⁽¹⁾		43	60	μA
I _{DD,IDLE}	Idle Current ⁽²⁾	1	2.4	5	μA
I _{DD,NOM}	Nominal Current (TXYZ, Datarate = 10Hz, OSR=OSR2=0, DIG_FILT=4)		100		μA

(1) Standby current corresponds to the current consumed in the digital, where not the main oscillator is running which is used for analog sequencing, but only the low-power oscillator. This standby current is present in Burst mode; whenever the ASIC is counting down to start a new conversion.

(2) Idle current is the current that is drawn by the ASIC in the IDLE mode, where it can only receive new commands on the communication bus, but all other blocks are disabled. The analog (excluding the power-on-reset block) is disconnected, only the digital IO part allows clocking of a few vital gates.

5. Timing Specification

The specifications are applicable at 25degC, unless specified otherwise, and for the complete supply voltage range.

Parameter	Remark	Min	Nom	Max	Unit
Main Oscillator & Derived Timings					
T _{STBY}	Time from IDLE to STBY	400	500	600	μs
T _{ACTIVE}	Time from STBY to ACTIVE		8		μs
T _{CONVM}	Single Magnetic axis conversion time ⁽¹⁾ typical programming range	0.192		66.56	ms
		$[(2+2^{\text{DIG_FILT}})*2^{\text{OSR}}*0.064]$			
T _{CONVT}	Temperature conversion time typical programming range	0.192		1.54	ms
		$[2^{\text{OSR2}}*0.192]$			
T _{CONV_SMM}	Total conversion time in Single Measurement Mode ⁽¹⁾	$T_{\text{STBY}} + T_{\text{ACTIVE}} + m*T_{\text{CONVM}} + T_{\text{CONVT}}$			ms
T _{CONV_BURSTWOC}	Total conversion time in BURST or WOC Mode ⁽¹⁾	$T_{\text{ACTIVE}} + m*T_{\text{CONVM}} + T_{\text{CONVT}}$			ms
T _{OSC_TRIM}	Trimming accuracy	-5		+5	%
T _{OSC_THD}	Thermal drift (full temperature range)	-5		+5	%
Low-power Oscillator & Derived Timings					
T _{INTERVAL}	Time in between 2 conversions (Burst mode or Wake-Up on Change) ⁽²⁾	0		1260	ms
		$\text{BURST_DATA_RATE} * 20$			
T _{LPOSC_TRIM}	Trimming accuracy	-4		+4	%
T _{LPOSC_THD}	Thermal drift (full temperature range)	-5		+5	%

Parameter	Remark	Min	Nom	Max	Unit
Startup					
T _{POR}	Power-on-reset completion time		0.6	1.5	ms
External Trigger					
T _{TRIG}	Trigger pulse width (active high)	0.01		250	us

- (1) This conversion time is defined as the time to acquire a single axis of the magnetic flux density. When measuring multiple axes, they are obtained through time-multiplexing, i.e. X(t), Y(t+T_{CONVM}) and Z(t+2*T_{CONVM}). The conversion time is programmable through parameters OSR and DIG_FILT for magnetic conversion time and OSR₂ for temperature conversion time. The conversion sequence is always TXYZ, the opposite of the ZYXT argument of the command set.
- (2) The time T_{INTERVAL} is defined as the time between the end of one set of measurements (any combination of TXYZ) and the start of the following same set of measurements in BURST and WOC mode. As a result of this, the maximum output data rate is not only a function of T_{INTERVAL} but equals 1/(T_{CONV_BURSTWOC} + T_{INTERVAL}).
- (3) Conversion time table as a function of OSR and DIG_FILT. The cells in yellow are prohibited operating modes when HALL_CONF=0xC (default), but are allowed in case HALL_CONF=0x0.

Typical T _{CONV} (TXYZ) for OSR ₂ =0x0 [ms]		OSR			
		0	1	2	3
DIG_FILT	0	1.27	1.84	3.00	5.30
	1	1.46	2.23	3.76	6.84
	2	1.84	3.00	5.30	9.91
	3	2.61	4.53	8.37	16.05
	4	4.15	7.60	14.52	28.34
	5	7.22	13.75	26.80	52.92
	6	13.36	26.04	51.38	102.07
	7	25.65	50.61	100.53	200.37

Table 1: Tconv as a function of OSR & DIG_FILT (scales w/ main oscillator variations)

Maximum ODR for OSR ₂ =0x0 [Hz]		OSR			
		0	1	2	3
DIG_FILTER	0	716.9	493.0	303.4	171.5
	1	622.7	408.0	241.5	133.0
	2	493.0	303.4	171.5	91.8
	3	348.0	200.6	108.6	56.6
	4	219.2	119.6	62.6	32.1
	5	125.9	66.1	33.9	17.2
	6	68.0	34.9	17.7	8.9
	7	35.4	18.0	9.0	4.5

Table 2: Maximum Output Data Rate (ODR) as a function of OSR & DIG_FILTER (scales w/ main oscillator variations)

6. Magnetic Specification

The specifications are applicable at 25degC, unless specified otherwise, and for the complete supply voltage range.

Parameter	Remark	Min	Nom	Max	Unit
N _{ADC}	ADC span		17.4		bits
N _{OUT}	Output span (taken from 19 by RES _{XYZ})		16		bits
B _{RANGE}	Output range (function of RES _{XYZ})	RANGE from Table 1 Table 4 / SENS _{ij}			mT
B _{SAT}	Magnetic saturation onset	50			mT
OFFS	Deviation from expected 0mT output		0		LSB
OFFS _{THD}	Offset thermal drift, Delta from 25°C ⁽¹⁾		< ±1000		LSB
SENS _{XX} , SENS _{YY}	Programming range of magnetic resolution (µT/LSB) or sensitivity (LSB/mT) ⁽²⁾	3.220		0.161	µT/LSB
		311		6211	LSB/mT
SENS _{ZZ}	[modifying GAIN_SEL and RES _{XYZ}], cfr. Table 3	5.872		0.294	µT/LSB
		170		3406	LSB/mT
SENS _{XY} , SENS _{YX}	Cross-axis sensitivity (X/Y-axis sensitivity to Y/X magnetic fields)		< ±1		%
SENS _{XZ} , SENS _{YZ}	Cross-axis sensitivity (X/Y-axis sensitivity to Z magnetic field)		< ±1		%
SENS _{ZX} , SENS _{ZY}	Cross-axis sensitivity (Z-axis sensitivity to X and Y magnetic fields)		< ±1		%
SENS _{THD}	Sensitivity thermal drift Delta from 25°C ⁽³⁾	-3		+3	%

- (1) The offset thermal drift is defined as the deviation at 0Gauss from the output with respect to the output at 25°C when sweeping the temperature. The highest gradient (µT/°C) typically occurs at 85°C. The spec value is based on characterization on limited sample size at GAIN_SEL=0x7 and RES_XYZ=0x00.
- (2) The total axis sensitivity is programmable to support different applications, but has no Automatic Gain control on-chip as do the other angular position sensors from Melexis. The highest gain corresponds to at least the minimum +/-4.8mT magnetic measurement range and the magnetic resolution defined by SENS_{ij}.
- (3) The sensitivity thermal drift is expressed as a band around the sensitivity at 25°C. It is applicable on wafer level trimming, but can be influenced by packaging (overmolding).

GAIN_SEL	RES = 0		RES = 1		RES = 2		RES = 3	
	SENS _{XY}	SENS _Z	SENS _{XY}	SENS _Z	SENS _{XY}	SENS _Z	SENS _{XY}	SENS _Z
0	0.805	1.468	1.610	2.936	3.220	5.872	6.440	11.744
1	0.644	1.174	1.288	2.349	2.576	4.698	5.152	9.395
2	0.483	0.881	0.966	1.762	1.932	3.523	3.864	7.046
3	0.403	0.734	0.805	1.468	1.610	2.936	3.220	5.872
4	0.322	0.587	0.644	1.174	1.288	2.349	2.576	4.698
5	0.268	0.489	0.537	0.979	1.073	1.957	2.147	3.915
6	0.215	0.391	0.429	0.783	0.859	1.566	1.717	3.132
7	0.161	0.294	0.322	0.587	0.644	1.174	1.288	2.349

Table 3: Sensitivity table as a function of GAIN_SEL and RES, expressed in $\mu\text{T}/\text{LSB}$

ABA		TCMP_EN = 0x0		TCMP_EN = 0x1	
		RANGE	TYPE	RANGE	TYPE
RES _i	0	$\pm 2^{15}$	2's complement $0\mu\text{T} = 0\text{LSB}$	$\pm 2^{15}$	unsigned $0\mu\text{T} = 2^{15}\text{LSB}$
	1	$\pm 2^{15}$	2's complement $0\mu\text{T} = 0\text{LSB}$	$\pm 2^{15}$	unsigned $0\mu\text{T} = 2^{15}\text{LSB}$
	2	± 22000	unsigned $0\mu\text{T} = 2^{15}\text{LSB}$	N/A	
	3	± 11000	unsigned $0\mu\text{T} = 2^{15}\text{LSB}$		

Table 4: Output Range and Type as a function of TCMP_EN and RES_XYZ={RES_x,RES_y,RES_z}

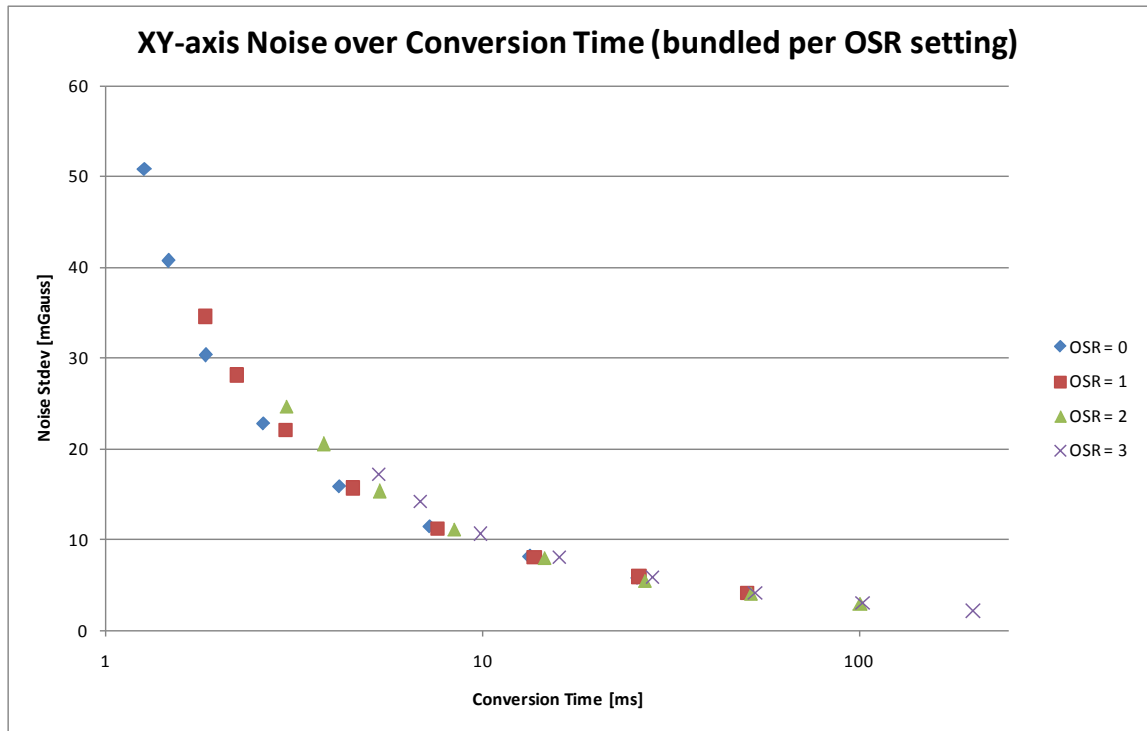


Figure 2: XY axis RMS noise versus conversion time, expressed in mGauss for GAIN_SEL = 0x7

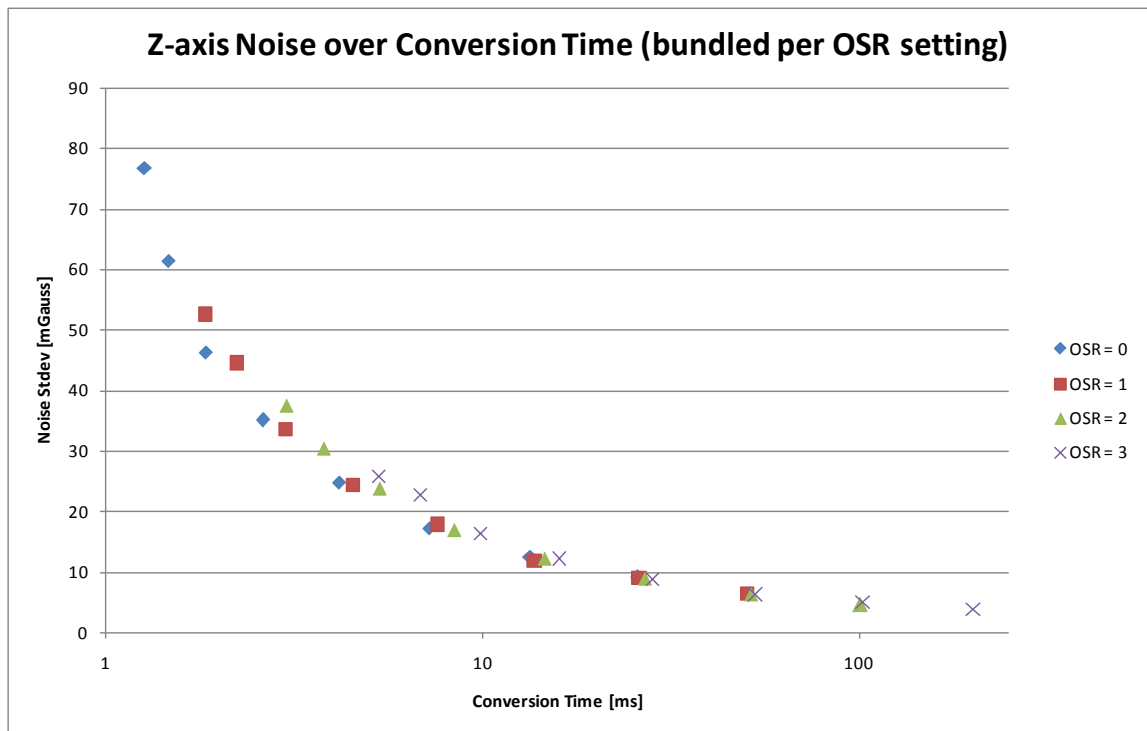


Figure 3: Z axis RMS noise versus conversion time, expressed in mGauss for GAIN_SEL = 0x7

7. Functional Specification

The MLX90393 can operate in 3 modes:

- Burst mode

The ASIC will have a programmable data rate at which it will operate. This data rate implies auto-wakeup and sequencing of the ASIC, flagging that data is ready on a dedicated pin (INT/DRDY). The maximum data rate corresponds to continuous burst mode, and is a function of the chosen measurement axes. For non-continuous burst modes, the time during which the ASIC has a counter running but is not doing an actual conversion is called the Standby mode (STBY).

- Single Measure mode

The master will ask for data via the corresponding protocol (I²C or SPI), waking up the ASIC to make a single conversion, immediately followed by an automatic return to sleep mode (IDLE) until the next polling of the master. This polling can also be done by strobing the TRG pin instead, which has the same effect as sending a protocol command for a single measurement.

- Wake-Up on Change

This mode is similar to the burst mode in the sense that the device will be auto-sequencing, with the difference that the measured component(s) is/are compared with a reference and in case the difference is bigger than a user-defined threshold, the DRDY signal is set on the designated pin. The user can select which axes and/or temperature fall under this cyclic check, and which thresholds are allowed.

The user can change the operating mode at all time through a specific command on the bus. The device waits in IDLE mode after power-up, but with a proper user command any mode can be set after power-up. Changing to Burst or WOC mode, coming from Single Measure mode, is always accompanied by a measurement first. The top-level state diagram indicating the different modes and some relevant timing is shown below in Figure 4. In the Measure state, the MDATA flag will define which components will be measured (ZYXT). The order of conversion is defined as TXYZ and can not be modified by the user, only the combination of axes is a degree of freedom.

Arrows indicated in grey are the direct result of an Exit command. The main difference between STANDBY and WOC_IDLE is that in STANDBY mode, all analog circuitry is ready to make a conversion, but this is accompanied by a larger current consumption than IDLE mode. For burst mode this extra current consumption is justified because the emphasis is more on accurate timing intervals, avoiding the delay of T_{STBY} before conversion and supporting an efficient continuous burst mode without standby overhead.

It is the user's responsibility to read back the measured data, the MLX90393 acts as a pure slave. Even in burst mode and WOC mode when the MLX90393 is auto-sequencing, the master will be responsible for collecting the acquired sensor data.

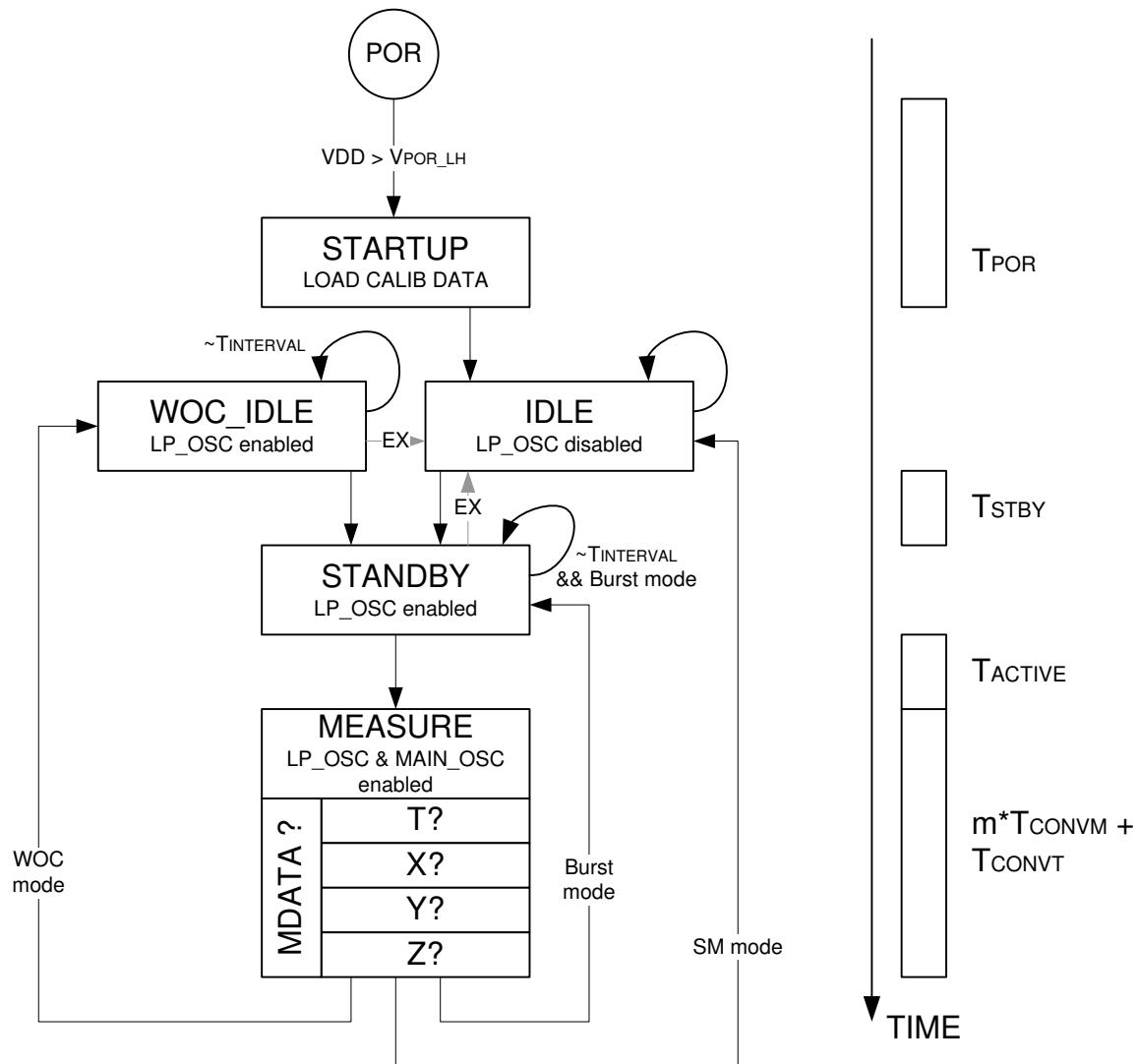


Figure 4: Top-level state diagram with indication of timings

7.1 Burst mode

When the sensor is operating in burst mode, it will make conversions at specific time intervals. The programmability of the user is the following:

- Burst speed ($T_{INTERVAL}$) through parameter BURST_DATA_RATE
- Conversion time (T_{CONV}) through parameters OSR, OSR2 and DIG_FILTER
- Axes/Temperature (MDATA) through parameter BURST_SEL or via the command argument (ZYXT)

Whenever the MLX90393 has made the selected conversions (based on MDATA), the DRDY signal will be set (active H) on the INT and/or INT/TRG pin to indicate that the data is ready for readback. It will remain high until the master has sent the command to read out at least one of the converted quantities (ZYXT). Should

the master have failed to read out any of them by the time the sensor has made a new conversion, the INT/DRDY pin will be strobed low for 10us, and the next rising edge will indicate a new set of data is ready.

7.2 Single Measurement mode

Whenever the sensor is set to this mode (or after startup) the MLX90393 goes to the IDLE state where it awaits a command from the master to perform a certain acquisition. The duration of the acquisition will be the concatenation of the T_{STBY} , T_{ACTIVE} , $m \cdot T_{CONVM}$ (with m # of axes) and T_{CONVT} . The conversion time will effectively be programmable by the user (see burst mode), but is equally a function of the required axes/temperature to be measured.

Upon reception of such a polling command from the master, the sensor will make the necessary acquisitions, and set the DRDY signal high to flag that the measurement has been performed and the master can read out the data on the bus at his convenience. The INT/DRDY will be cleared either when:

- The master has issued a command to read out at least one of the measured components
- The master issues an Exit (EX) command to cancel the measurement
- The chip is reset, after POR (Power-on reset) or Reset command (RT)

7.3 Wake-Up on Change mode

The Wake-Up on Change (WOC) functionality can be set by the master with as main purpose to only receive an interrupt when a certain threshold is crossed. The WOC mode will always compare a new burst value with a reference value in order to assess if the difference between both exceeds a user-defined threshold. The reference value is defined as one of the following:

- The first measurement of WOC mode is stored as reference value once, as a result of a measurement. This measurement at “t=0” is then the basis for comparison or,
- The reference for acquisition(t) is always acquisition(t-1), in such a way that the INT signal will only be set if the derivative of any component exceeds a threshold.
- The in-application programmability is the same as for burst mode, but now the thresholds for setting the interrupt are also programmable by the user, as well as the reference, if the latter is data(t=0) or data(t-1).

8. Digital Specification

The supported protocols are I²C and SPI. The SENB/CS pin is used to define the protocol to be used:

- /CS = 0 for SPI, addressing the MLX90393 slave in SPI mode (3- and 4-wire), but releasing this line in between commands (no permanent addressing allowed)
- /CS = 1 for I2C, addressing the MLX90393 slave when the correct address is transmitted over the bus (permanently kept high)

To make sure the activity on the SPI bus can not be accidentally interpreted as I2C protocol, programming bits are available in the memory of the MLX90393 to force the communication mode. It concerns the COMM_MODE[1:0] bits with the following effect:

COMM_MODE[1]	COMM_MODE[0]	Description
0	X	The mode in which the first valid command is transmitted to the MLX90393 defines the operating mode (SPI or I ² C) for all its future commands, until a reset (hard or soft) is done.
1	0	SPI mode only
1	1	I ² C mode only

Table 5: Communication mode definition

8.1 Command List

The MLX90393 only listens to a specific set of commands. Apart from the Reset command, all commands generate a status byte that can be read out. The table below indicates the 10 different commands that are (conditionally) accepted by the MLX90393. The MLX90393 will always acknowledge a command in I2C, even if the command is not a valid command. Interpreting the associated status byte is the method for verification of command acceptance.

Command Name	Symbol	Command				
		#	CMD1 byte	CMD2 byte	CMD3 byte	CMD4 byte
Start Burst Mode	SB	1	0001 zyxt ⁽¹⁾	N/A	N/A	N/A
Start Wake-up on Change Mode	SW	2	0010 zyxt ⁽¹⁾	N/A	N/A	N/A
Start Single Measurement Mode	SM	3	0011 zyxt ⁽¹⁾	N/A	N/A	N/A
Read Measurement	RM	4	0100 zyxt ⁽¹⁾	N/A	N/A	N/A
Read Register	RR	5	0101 0abc ⁽²⁾	{A5...A0,0,0}	N/A	N/A
Write Register	WR	6	0110 0abc ⁽²⁾	D15...D8	D7...D0	{A5...A0,0,0}
Exit Mode	EX	8	1000 0000	N/A	N/A	N/A
Memory Recall	HR	D	1101 0000	N/A	N/A	N/A
Memory Store	HS	E	1110 0000	N/A	N/A	N/A
Reset	RT	F	1111 0000	N/A	N/A	N/A

Table 6: Command List

The argument for the volatile memory access commands (RR/WR) «abc» should be set to 0x0h, in order to get normal read-out and write of the memory.

The argument in all mode-starting commands (SB/SW/SM) is a nibble specifying the conversions to be performed by the sensor in the following order «zyxt». For example, if only Y axis and temperature are to be measured in Single Measurement mode the correct command to be transmitted is 0x35h. The sequence of measurement execution on-chip is inverted to «TXYZ», so T will be measured before X, followed by Y and finally Z. By issuing an all-zero «zyxt» nibble, the BURST_SEL value from RAM will be used instead of the empty argument of the command.

8.2 Status Byte

The status byte is the first byte transmitted by the MLX90393 in response to a command issued by the master. It is composed of a fixed combination of informative bits:

bit 7	bit 6	bit 5	bit 4	bit 3	bit 2	bit 1	bit 0
BURST_MODE	WOC_MODE	SM_MODE	ERROR	SED	RS	D1	D0

- MODE bits

these bits define in which mode the MLX90393 is currently set. Whenever a mode transition command is rejected, the first status byte after this command will have the expected mode bit cleared, which serves as an indication that the command has been rejected, next to the ERROR bit. The SM_MODE flag can be the result of an SM command or from raising the TRG pin when TRG mode is enabled in the volatile memory of the MLX90393.

- ERROR bit

this bit is set in case a command has been rejected or in case an uncorrectable error is detected in the memory, a so called ECC_ERROR. A single error in the memory can be corrected (see SED bit), two errors can be detected and will generate the ECC_ERROR. In such a case all commands but the RT (Reset) command will be rejected. The error bit is equally set when the master is reading back data while the DRDY flag is low.

- SED bit

the single error detection bit simply flags that a bit error in the non-volatile memory has been corrected. It is purely informative and has no impact on the operation of the MLX90393.

- RS bit

whenever the MLX90393 gets out of a reset situation – both hard and soft reset – the RS flag is set to highlight this situation to the master in the first status byte that is read out. As soon as the first status byte is read, the flag is cleared until the next reset occurs.

- D[1:0] bits

these bits only have a meaning after the RR and RM commands, when data is expected as a response from the MLX90393. The number of response bytes correspond to $2 * D[1:0] + 2$, so the expected byte counts are either 2, 4, 6 or 8. For commands where no response is expected, the content of D[1:0] should be ignored.

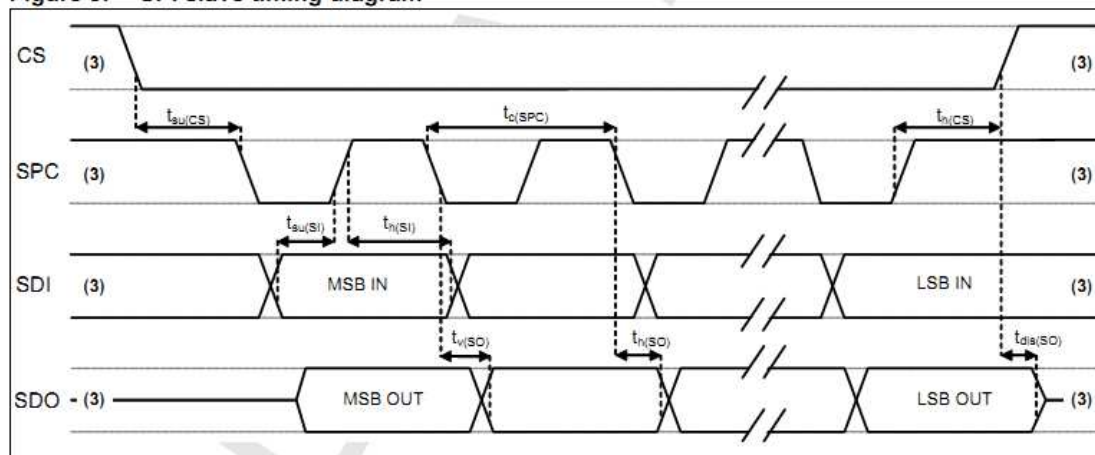
8.3 SPI Communication

The MLX90393 can handle SPI communication at a bitrate of 10MHz. The SPI communication is implemented in a half-duplex way, showing high similarities with I2C communication, but addressing through the \CS (Chip Select) pin instead of through bus arbitration. The half-duplex nature is at the basis of the supported 3-wire SPI operation. SPI mode 3 is implemented: CPHA=1 (data changed on leading edge and captured on trailing edge, and CPOL=1 (high level is inactive state). The Chip Select line is active-low.

Table 6. SPI slave timing values

Symbol	Parameter	Value ⁽¹⁾		Unit
		Min	Max	
tc(SPC)	SPI clock cycle	100		ns
fc(SPC)	SPI clock frequency		10	MHz
tsu(CS)	CS setup time	5		ns
th(CS)	CS hold time	10		
tsu(SI)	SDI input setup time	5		
th(SI)	SDI input hold time	15		
tv(SO)	SDO valid output time		50	
th(SO)	SDO output hold time	5		
tdis(SO)	SDO output disable time		50	

Figure 3. SPI slave timing diagram ⁽²⁾



1. Values are guaranteed at 10 MHz clock frequency for SPI with both 4 and 3 wires, based on characterization results, not tested in production
2. Measurement points are done at $0.2 \cdot V_{dd_IO}$ and $0.8 \cdot V_{dd_IO}$, for both Input and output port

The communication is also bundled in bytes, equally MSB first and MSByte first. A command can of course consist of more than 1 byte (refer to Chapter 8.1) as can the response be from the MLX90393 in the form of multiple bytes after the status byte (not shown in Figure 5)

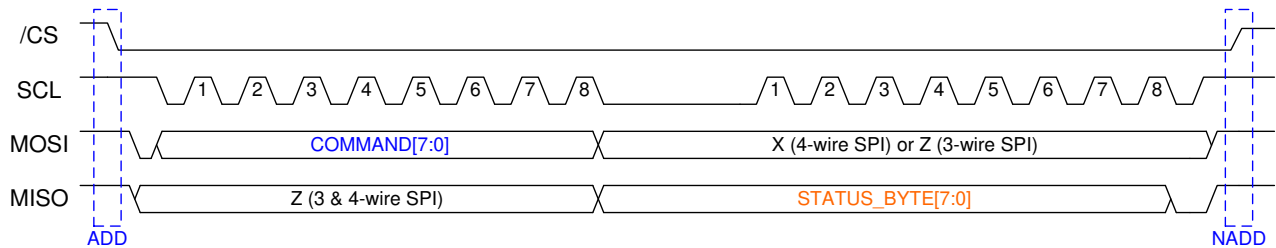


Figure 5: SPI communication example

8.4 I²C Communication

I²C Address

The I²C address is made up of some hard-coded bits and a memory written value as follows:

$I2C_ADDR[6:0] = \{EE_I2C_ADDR[4:0], A_1, A_0\}$ with A_i the user-selectable active-high value of the input pads of the MLX90393, referred to the V_{DD} supply system and $EE_I2C_ADDR[4:0]$ default programmed to 03h, but user accessible for overwrite.

I²C Principle

The MLX90393 supports I²C communication in both Standard Mode and Fast Mode. Bytes are transmitted MSB first, and in order to reconstruct words, the bytes need to be concatenated MSByte first. The general principle of communication is always the same:

- Initiating the communication is always done by the Master (Start condition S)
- Addressing the Slave (MLX90393) followed by a cleared bit to indicate the Master intends to write something to the specific addressed Slave
- Acknowledging by the Slave if the transmitted address corresponds to the Slave's I²C address. If the latter isn't the case, any further activity on the bus except a Sr (Start Repeat) and P (Stop) condition will be ignored by the MLX90393
- Sending a Command Byte by the Master, as depicted in Figure 6. The Slave will always acknowledge this, even if it is an unrecognized command. A command such as WR and RR consist of more than 1 byte, which can then be transmitted sequentially over the I²C bus. Referring to Figure 6 the COMMAND byte should then be a sequence of COMMAND byte1, byte2, etc...
- Issuing a Start Repeat (Sr) condition by the Master in order to restart the addressing phase
- Addressing the Slave (MLX90393) followed by a set bit to indicate the Master intends to read something from the specific addressed Slave
- Acknowledging by the Slave if the transmitted address corresponds to the Slave's I²C address. If the latter isn't the case, any further activity on the bus except a Sr (Start Repeat) and P (Stop) condition will be ignored by the MLX90393

- Transmitting the Status Byte by the Slave, who is in control of the bus. Following the RR and RM commands the sensor returns additional data bytes after the status byte.
- Acknowledging by the Master if the data is well received
- Generating a Stop condition (P) by the master

The Master controlled bus activity is shown in blue, the Slave controlled bus activity is shown in orange. In case a command is longer than a single byte (see Table 6), the bytes are transmitted sequentially before generating the Start Repeat (Sr) condition.

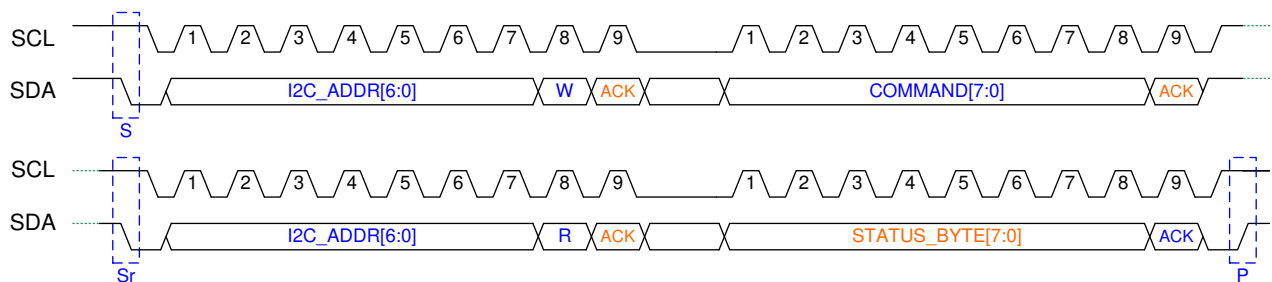


Figure 6: Default I2C communication example with status byte readback

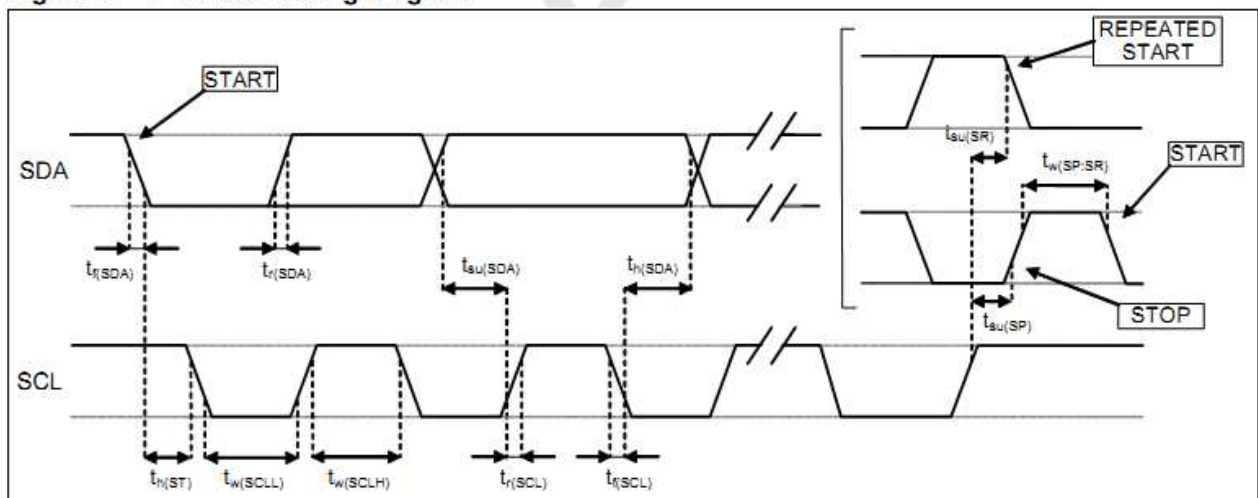
The same applies to the Slave responses: following RR and RM commands, the Slave response is more than just the Status Byte. There as well, the data is partitioned in bytes that are transmitted sequentially by the slave. It is the Master's responsibility to issue enough clocking pulses to read back all the data. Finding out how many bytes is possible by decoding the Status Byte information, see Section Status Byte.

Finally the master is also free to not read back the status byte when issuing a command. In doing so, he loses the ability to see if the command was received properly by the MLX90393. Moreover, the first SM command issued by the master after power-up or reset should have the status byte read back in order to get valid measurement data back.

Table 7. I²C slave timing values

Symbol	Parameter	I ² C standard mode ⁽¹⁾		I ² C fast mode ⁽¹⁾		Unit
		Min	Max	Min	Max	
$f_{(SCL)}$	SCL clock frequency	0	100	0	400	kHz
$t_{w(SCLL)}$	SCL clock low time	4.7		1.3		μs
$t_{w(SCLH)}$	SCL clock high time	4.0		0.6		
$t_{su(SDA)}$	SDA setup time	250		100		ns
$t_h(SDA)$	SDA data hold time	0	3.45	0	0.9	μs
$t_r(SDA) t_r(SCL)$	SDA and SCL rise time		1000	$20 + 0.1C_b^{(2)}$	300	ns
$t_f(SDA) t_f(SCL)$	SDA and SCL fall time		300	$20 + 0.1C_b^{(2)}$	300	
$t_h(ST)$	START condition hold time	4		0.6		μs
$t_{su(SR)}$	Repeated START condition setup time	4.7		0.6		
$t_{su(SP)}$	STOP condition setup time	4		0.6		
$t_w(SP:SR)$	Bus free time between STOP and START condition	4.7		1.3		

Figure 4. I²C slave timing diagram ⁽³⁾



1. Data based on standard I²C protocol requirement, not tested in production.
2. C_b = total capacitance of one bus line, in pF.
3. Measurement points are done at $0.2 \cdot V_{dd_IO}$ and $0.8 \cdot V_{dd_IO}$, for both port.

9. Memory Map

The MLX90393 has 1kbit of non-volatile memory, and the same amount of volatile memory. Each memory consists out of 64 addresses containing 16 bit words. The non-volatile memory has automatic 2-bit error detection and 1-bit error correction capabilities per address. The handling of such corrections & detections is explained in Section Status Byte.

The memory is split in 2 areas:

- Customer area [address 0x00h to 0x1Fh]
- Melexis area [address 0x20h to 0x3Fh]

The RR and WR commands impact the volatile memory only, there no direct access possible to the non-volatile memory. The customer area of the volatile memory is bidirectionally accessible to the customer; the Melexis area is write-protected. Only modifications in the blue area are allowed with the WR command. The adjustments in the customer area can be stored in the permanent non-volatile memory with the STORE command HS, which copies the entire volatile memory including the Melexis area to the non-volatile one. With the HR command the non-volatile memory content can be recalled to the volatile memory, which can restore any modifications due to prior WR commands. The HR step is performed automatically at start-up of the ASIC, either through cold reset or warm reset with the RT command.

The above is graphically shown in Figure 7.

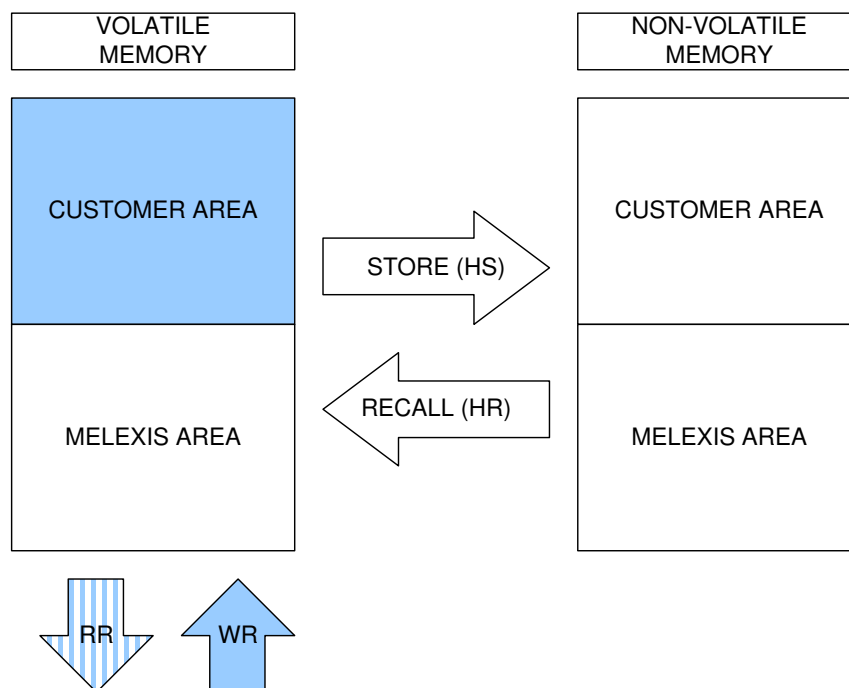


Figure 7: The memories of the MLX90393, their areas and the impacting commands.

The customer area houses 3 types of data:

- Analog configuration bits
- Digital configuration bits
- Informative (free) bits

The latter can be filled with customer content freely, and covers the address span from (and including) 0x0Ah to 0x1Fh, a total of 352 bits. The memory mapping of volatile and non-volatile memory on address level is identical. The volatile memory map is given in Figure 8.

ADDRESS	BIT NUMBER																
	15	14	13	12	11	10	9	8	7	6	5	4	3	2	1	0	
0x00h	ANA_RESERVED_LOW								BIST	Z_SERIES	GAIN_SEL			HALLCONF			
0x01h	TRIG_INT	COMM_MODE	WOC_DIFF	EXT_TRIG	TCMP_EN	BURST_SEL (zyxt)				BURST_DATA_RATE							
0x02h	OSR2				RES_XYZ				DIG_FILTER				OSR				
0x03h	SENS_TC_HT								SENS_TC_LT								
0x04h	OFFSET_X																
0x05h	OFFSET_Y																
0x06h	OFFSET_Z																
0x07h	WOXY_THRESHOLD																
0x08h	WOZ_THRESHOLD																
0x09h	WOT_THRESHOLD																
0x0Ah	FREE																
0x0Bh	FREE																
0x0Ch	FREE																
0x0Dh	FREE																
0x0Eh	FREE																
0x0Fh	FREE																
0x10h	FREE																
0x11h	FREE																
0x12h	FREE																
0x13h	FREE																
0x14h	FREE																
0x15h	FREE																
0x16h	FREE																
0x17h	FREE																
0x18h	FREE																
0x19h	FREE																
0x1Ah	FREE																
0x1Bh	FREE																
0x1Ch	FREE																
0x1Dh	FREE																
0x1Eh	FREE																
0x1Fh	FREE																

Figure 8: Customer area memory map.

The non-volatile memory can only be written (HS store command) if pin VDD is supplied with 3.3V minimum, otherwise the write sequence can not be performed in a reliable way. Additionally, this HS command was designed to be used as one-time calibration, but not as multi write-cycle memory within the application. In case memory is written within the application, the number of write cycles should be kept to a minimum. There is no limit to the write cycles in the volatile memory (WR write command).

9.1 Parameter Description

The meaning of each customer accessible parameter is explained in this section. The customer area of both the volatile and the non-volatile memory can be written through standard SPI and I²C communication, within the application. No external high-voltages are needed to perform such operations, nor access to dedicated pins that need to be grounded in the application.

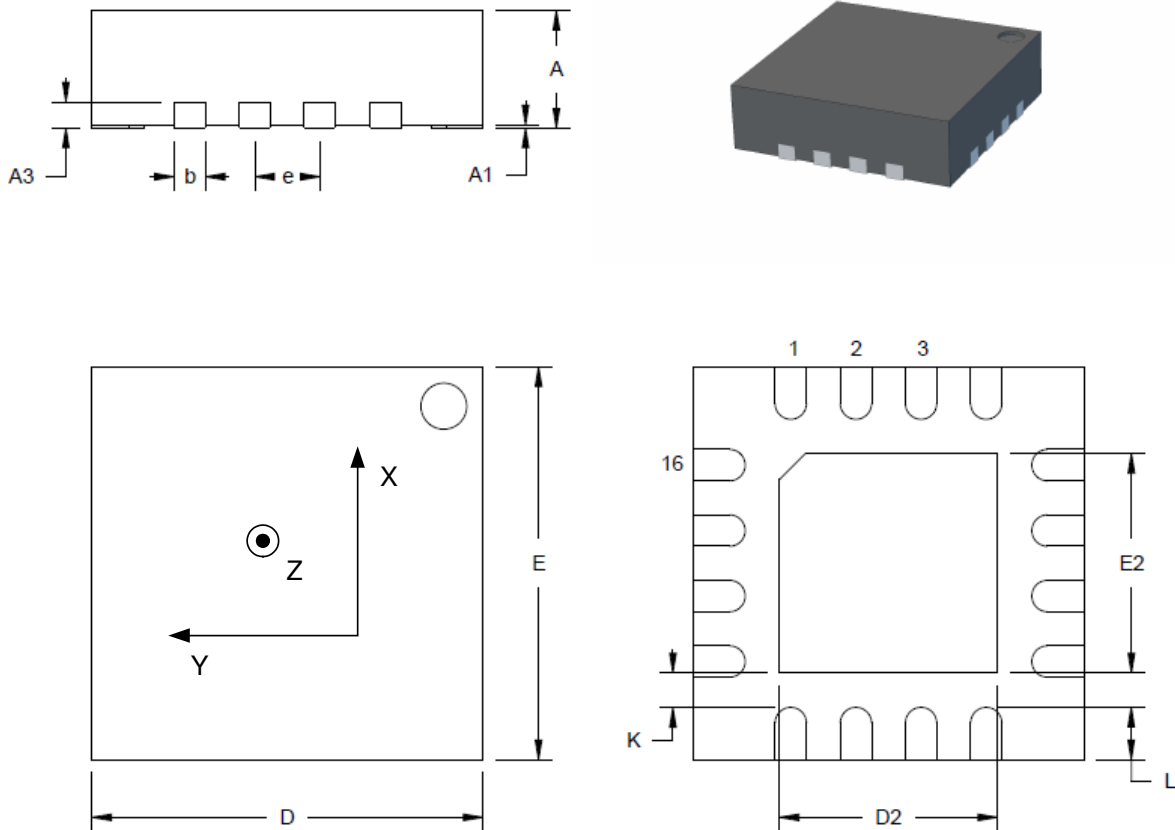
- ANA_RESERVED_LOW : Reserved IO trimming bits
- BIST : Enabled the on-chip coil, applying a Z-field [Built-In Self Test]
- Z_SERIES : Enable all plates for Z-measurement

GAIN_SEL[2:0]	:	Analog chain gain setting, factor 5 between min and max code
HALLCONF[3:0]	:	Hall plate spinning rate adjustment
TRIG_INT_SEL	:	Puts TRIG_INT pin in TRIG mode when cleared, INT mode otherwise
COMM_MODE[1:0]	:	Allow only SPI [10b], only I ² C [11b] or both [0Xb] according to CS pin
WOC_DIFF	:	Sets the Wake-up On Change based on $\Delta\{\text{sample}(t), \text{sample}(t-1)\}$
EXT_TRIG	:	Allows external trigger inputs when set, if TRIG_INT_SEL = 0
TCMP_EN	:	Enables on-chip sensitivity drift compensation
BURST_SEL[3:0]	:	Defines the MDATA in burst mode if SB command argument = 0
BURST_DATARATE[6:0]	:	Defines T _{INTERVAL} as BURST_DATA_RATE * 20ms
OSR2[1:0]	:	Temperature sensor ADC oversampling ratio
RES_XYZ[5:0]	:	Selects the desired 16-bit output value from the 19-bit ADC
DIG_FILT[1:0]	:	Digital filter applicable to ADC
OSR[1:0]	:	Magnetic sensor ADC oversampling ratio
SENS_TC_HT[7:0]	:	Sensitivity drift compensation factor for T < T _{REF}
SENS_TC_LT[7:0]	:	Sensitivity drift compensation factor for T > T _{REF}
OFFSET_i[15:0]	:	Constant offset correction, independent for i = X, Y, Z
WOi_THRESHOLD[15:0]	:	Wake-up On Change threshold, independent for i = X, Y, Z and T

10. Packaging Specification

10.1 QFN package

The MLX90393 shall be delivered in a QFN package as shown below in Figure 9.



All dimensions in mm

Type	DxE	N	e		A	A1	A3	D2	E2	L	K	b
Quad	3x3	16	0.50	min	0.80	0.00	0.20	1.55	1.55	0.30	0.20	0.18
				max	1.00	0.05	REF	1.80	1.80	0.50	-	0.30

Note:

1. Tolerance of D and E is ± 0.1 mm.
2. Pin 1 bottom identification may vary.

Figure 9: Package Outline Drawing

The sensing elements – Hall plates with the patented IMC technology – are located in the center of the die, which on its turn is located in the center of the package. The pinout (in name and function) is given in Table 7 below.

#	Name	Type		Supply System	Wiring Recommendation		
		Primary	Secondary	Reference to	I ² C	SPI 4-wire	SPI 3-wire
1	INT	I/O out	N/A	VDD_IO	optional	optional	optional
2	SENB/CS	I/O in	MLX Test	VDD_IO	to VDD_IO	required	required
3	SCL/SCLK	I/O in	MLX Test	VDD_IO	required	required	required
4	N/C						
5	SDA/MOSI	I/O bi	MLX Test	VDD_IO	required	required	required shorted on PCB
6	MISO	I/O out	MLX Test	VDD_IO	floating	required	
7	INT/TRIG	I/O bi	N/A	VDD_IO	optional	optional	optional
8	VDD_IO	Supply	N/A		required	required	required
9	N/C						
10	N/C						
11	A1	I ² C Address LSB	MLX Test	VDD	to VDD/GND	to GND	to GND
12	A0	I ² C Address LSB	MLX Test	VDD	to VDD/GND	to GND	to GND
13	VSS	Ground	N/A		required	required	required
14	N/C						
15	VDD	Supply	N/A		required	required	required
16	N/C						

Table 7: QFN pinout names, type and wiring recommendation.

11. Standard information regarding manufacturability of Melexis products with different soldering processes

Our products are classified and qualified regarding soldering technology, solderability and moisture sensitivity level according to following test methods:

Reflow Soldering SMD's (Surface Mount Devices)

- IPC/JEDEC J-STD-020
Moisture/Reflow Sensitivity Classification for Nonhermetic Solid State Surface Mount Devices (classification reflow profiles according to table 5-2)
- EIA/JEDEC JESD22-A113
Preconditioning of Nonhermetic Surface Mount Devices Prior to Reliability Testing (reflow profiles according to table 2)

Wave Soldering SMD's (Surface Mount Devices) and THD's (Through Hole Devices)

- EN60749-20
Resistance of plastic- encapsulated SMD's to combined effect of moisture and soldering heat
- EIA/JEDEC JESD22-B106 and EN60749-15
Resistance to soldering temperature for through-hole mounted devices

Iron Soldering THD's (Through Hole Devices)

- EN60749-15
Resistance to soldering temperature for through-hole mounted devices

Solderability SMD's (Surface Mount Devices) and THD's (Through Hole Devices)

- EIA/JEDEC JESD22-B102 and EN60749-21
Solderability

For all soldering technologies deviating from above mentioned standard conditions (regarding peak temperature, temperature gradient, temperature profile etc) additional classification and qualification tests have to be agreed upon with Melexis. The application of Wave Soldering for SMD's is allowed only after consulting Melexis regarding assurance of adhesive strength between device and board.

Melexis recommends reviewing on our web site the General Guidelines [Soldering Recommendation](#) as well as [Trim & Form Recommendations](#).

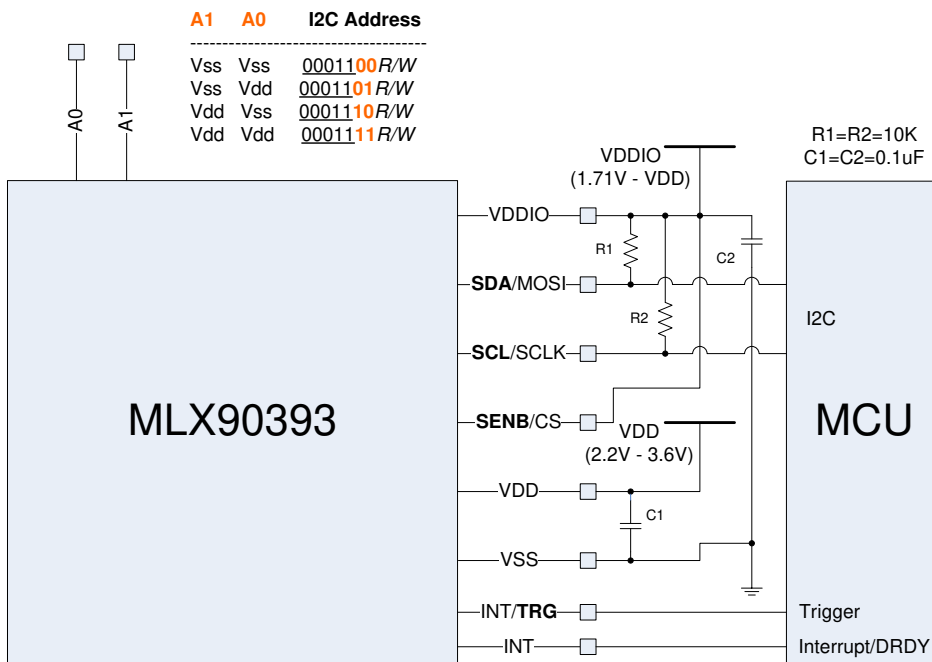
Melexis is contributing to global environmental conservation by promoting **lead free** solutions. For more information on qualifications of **RoHS** compliant products (RoHS = European directive on the Restriction Of the use of certain Hazardous Substances) please visit the quality page on our website: <http://www.melexis.com/quality.aspx>

12. ESD Precautions

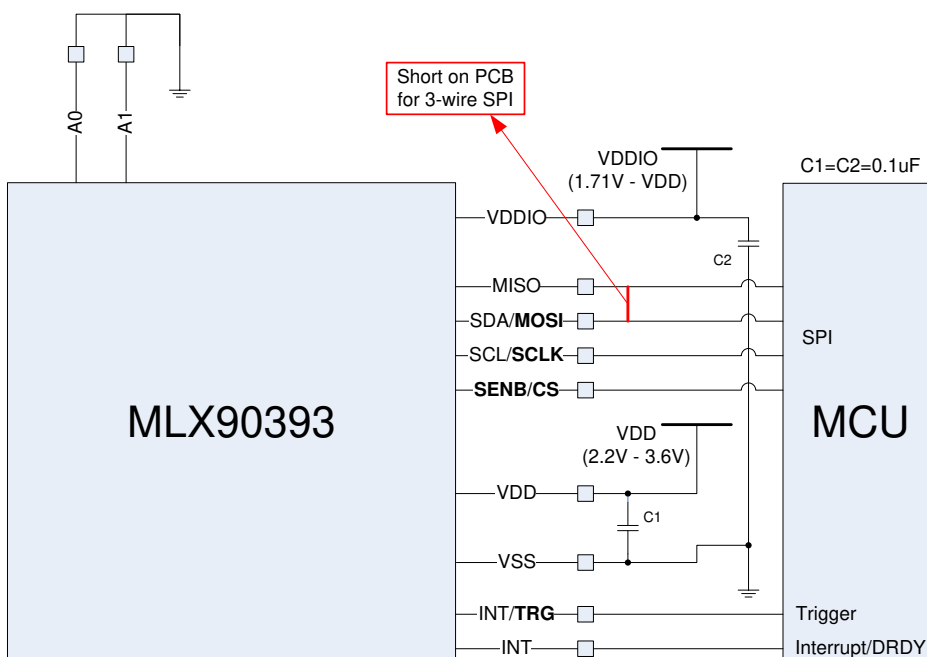
Electronic semiconductor products are sensitive to Electro Static Discharge (ESD). Always observe Electro Static Discharge control procedures whenever handling semiconductor products.

13. Recommended Application Diagram

13.1 I²C



13.2 SPI



14. Disclaimer

Devices sold by Melexis are covered by the warranty and patent indemnification provisions appearing in its Term of Sale. Melexis makes no warranty, express, statutory, implied, or by description regarding the information set forth herein or regarding the freedom of the described devices from patent infringement. Melexis reserves the right to change specifications and prices at any time and without notice. Therefore, prior to designing this product into a system, it is necessary to check with Melexis for current information. This product is intended for use in normal commercial applications. Applications requiring extended temperature range, unusual environmental requirements, or high reliability applications, such as military, medical life-support or life-sustaining equipment are specifically not recommended without additional processing by Melexis for each application.

The information furnished by Melexis is believed to be correct and accurate. However, Melexis shall not be liable to recipient or any third party for any damages, including but not limited to personal injury, property damage, loss of profits, loss of use, interrupt of business or indirect, special incidental or consequential damages, of any kind, in connection with or arising out of the furnishing, performance or use of the technical data herein. No obligation or liability to recipient or any third party shall arise or flow out of Melexis' rendering of technical or other services.

© 2015 Melexis NV. All rights reserved.

15. Contact Information

For the latest version of this document, go to our website at

www.melexis.com

Or for additional information contact Melexis Direct:

Europe, Africa, Asia:

Phone: +32 1367 0495

E-mail: sales_europe@melexis.com

America:

Phone: +1 248 306 5400

E-mail: sales_usa@melexis.com

ISO/TS 16949 and ISO14001 Certified