



Chipsmall Limited consists of a professional team with an average of over 10 year of expertise in the distribution of electronic components. Based in Hongkong, we have already established firm and mutual-benefit business relationships with customers from,Europe,America and south Asia,supplying obsolete and hard-to-find components to meet their specific needs.

With the principle of “Quality Parts,Customers Priority,Honest Operation,and Considerate Service”,our business mainly focus on the distribution of electronic components. Line cards we deal with include Microchip,ALPS,ROHM,Xilinx,Pulse,ON,Everlight and Freescale. Main products comprise IC,Modules,Potentiometer,IC Socket,Relay,Connector.Our parts cover such applications as commercial,industrial, and automotives areas.

We are looking forward to setting up business relationship with you and hope to provide you with the best service and solution. Let us make a better world for our industry!



Contact us

Tel: +86-755-8981 8866 Fax: +86-755-8427 6832

Email & Skype: info@chipsmall.com Web: www.chipsmall.com

Address: A1208, Overseas Decoration Building, #122 Zhenhua RD., Futian, Shenzhen, China



Features and Benefits

- Wide operating voltage range : from 2.7V to 24V
- Chopper-stabilized amplifier stage
- Built-in negative temperature coefficient
- Reverse Supply Voltage Protection
- Output Current Limit with Auto-Shutoff
- Under-Voltage Lockout Protection
- Thermal Protection
- High ESD rating / Excellent EMC performance

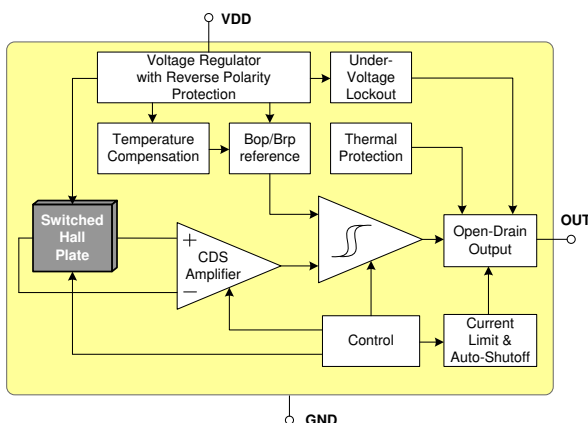
Application Examples

- Automotive, Consumer and Industrial
- Solid-state switch
- 3-phase BLDC motor commutation
- Wiper motor
- Window lifter
- Sunroof/Tailgate opener
- Seat motor adjuster
- Electrical power steering

Ordering Information

Part No.	Temperature Code	Package Code	Comment
MLX92211LUA-AAA-000-BU	L (-40°C to 150°C)	UA (TO92-3L)	$B_{OP}/B_{RP} = \pm 3mT$, $TC = -1100 \text{ ppm}/^\circ\text{C}$
MLX92211LUA-ADA-000-BU	L (-40°C to 150°C)	UA (TO92-3L)	$B_{OP}/B_{RP} = \pm 14mT$, $TC = -2000 \text{ ppm}/^\circ\text{C}$
MLX92211LSE-AAA-000-RE	L (-40°C to 150°C)	SE (TSOT-23)	$B_{OP}/B_{RP} = \pm 3mT$, $TC = -1100 \text{ ppm}/^\circ\text{C}$
MLX92211LSE-ACA-000-RE	L (-40°C to 150°C)	SE (TSOT-23)	$B_{OP}/B_{RP} = \pm 3mT$, $TC = -2000 \text{ ppm}/^\circ\text{C}$
MLX92211LSE-ADA-000-RE	L (-40°C to 150°C)	SE (TSOT-23)	$B_{OP}/B_{RP} = \pm 14mT$, $TC = -2000 \text{ ppm}/^\circ\text{C}$

1 Functional Diagram



2 General Description

The Melexis MLX92211 is the second generation Hall-effect latch designed in mixed signal CMOS technology. The device integrates a voltage regulator, Hall sensor with advanced offset cancellation system and an open-drain output driver, all in a single package. Based on a brand new platform, the magnetic core is using an improved offset cancellation system allowing faster and more accurate processing while being temperature insensitive and stress independent. In addition is implemented a negative temperature coefficient to compensate the natural behaviour of magnets becoming weaker with rise in temperature.

The included voltage regulator operates from 2.7 to 24V, hence covering a wide range of applications. With the built-in reverse voltage protection, a serial resistor or diode on the supply line is not required so that even remote sensors can be specified for low voltage operation down to 2.7V while being reverse voltage tolerant.

In the event of a drop below the minimum supply voltage during operation, the under-voltage lock-out protection will automatically freeze the device, preventing the electrical perturbation to affect the magnetic measurement circuitry. The output state is therefore only updated based on a proper and accurate magnetic measurement result.

The open drain output is fully protected against short-circuit with a built-in current limit. An additional automatic output shut-off is activated in case of a prolonged short-circuit condition. A self-check is then periodically performed to switch back to normal operation if the short-circuit condition is released. The on-chip thermal protection also switches off the output if the junction temperature increases above an abnormally high threshold. It will automatically recover once the temperature decreases below a safe value.

With latching magnetic characteristics, the output is turned low or high respectively with a sufficiently strong South or North pole facing the package top side. When removing the magnetic field, the device keeps its previous state.

Table of Contents

1 Functional Diagram	1
2 General Description	1
Table of Contents	2
3 Glossary of Terms	3
4 Absolute Maximum Ratings	3
5 General Electrical Specifications	4
6 Magnetic Specifications	5
6.1 MLX92211LSE-AAA-000.....	5
6.2 MLX92211LUA-AAA-000.....	5
6.3 MLX92211LSE-ACA-000.....	5
6.4 MLX92211LSE-ADA-000.....	5
6.5 MLX92211LUA-ADA-000.....	6
7 Output Behaviour versus Magnetic Pole	6
7.1 South Pole Active.....	6
7.2 North Pole Active	6
8 Performance Graphs	7
8.1 Magnetic parameters vs. T_A	7
8.2 Magnetic parameters vs. V_{DD}	7
8.3 V_{DSon} vs. T_A	7
8.4 V_{DSon} vs. V_{DD}	7
8.5 I_{DD} vs. T_A	7
8.6 I_{DD} vs. V_{DD}	7
8.7 I_{OFF} vs. T_A	8
8.8 I_{OFF} vs. V_{OUT}	8
9 Application Information	9
9.1 Typical Three-Wire Application Circuit.....	9
9.2 Automotive and Harsh, Noisy Environments Three-Wire Circuit.....	9
10 Standard information regarding manufacturability of Melexis products with different soldering processes	10
11 ESD Precautions	10
12 Packages	11
12.1 SE Package (TSOT-23).....	11
12.1 UA (TO92 - 3L)	12
13 Disclaimer	13

3 Glossary of Terms

MilliTesla (mT), Gauss	Units of magnetic flux density: 1mT = 10 Gauss
RoHS	Restriction of Hazardous Substances
TSOT	Thin Small Outline Transistor (TSOT package) – also referred with the Melexis package code “SE”
ESD	Electro-Static Discharge

4 Absolute Maximum Ratings

Parameter	Symbol	Value	Units
Supply Voltage ^(1, 2)	V _{DD}	+27	V
Supply Voltage (Load dump) ^(1, 3)	V _{DD}	+32	V
Supply Current ^(1, 2, 4)	I _{DD}	+20	mA
Supply Current ^(1, 3, 4)	I _{DD}	+50	mA
Reverse Supply Voltage ^(1, 2)	V _{DDREV}	-24	V
Reverse Supply Voltage (Load dump) ^(1, 3)	V _{DDREV}	-30	V
Reverse Supply Current ^(1, 2, 5)	I _{DDREV}	-20	mA
Reverse Supply Current ^(1, 3, 5)	I _{DDREV}	-50	mA
Output Voltage ^(1, 2)	V _{OUT}	+27	V
Output Current ^(1, 2, 5)	I _{OUT}	+20	mA
Output Current ^(1, 3, 6)	I _{OUT}	+75	mA
Reverse Output Voltage ⁽¹⁾	V _{OUTREV}	-0.5	V
Reverse Output Current ^(1, 2)	I _{OUTREV}	-50	mA
Operating Temperature Range	T _A	-40 to +150	°C
Storage Temperature Range	T _S	-55 to +165	°C
Maximum Junction Temperature ⁽⁷⁾	T _J	+165	°C
ESD Sensitivity – HBM ⁽⁸⁾	-	4000	V
ESD Sensitivity – CDM ⁽⁹⁾	-	1000	V
Magnetic Flux Density	B	Unlimited	mT

Exceeding the absolute maximum ratings may cause permanent damage. Exposure to absolute-maximum-rated conditions for extended periods may affect device reliability.

¹ The maximum junction temperature should not be exceeded

² For maximum 1 hour

³ For maximum 0.5 s

⁴ Including current through protection device

⁵ Through protection device

⁶ For V_{OUT} ≤ 27V.

⁷ For 1000 hours.

⁸ Human Model according AEC-Q100-002 standard

⁹ Charged Device Model according AEC-Q100-011 standard

5 General Electrical Specifications

DC Operating Parameters $T_A = -40^{\circ}\text{C}$ to 150°C , $V_{DD} = 2.7\text{V}$ to 24V (unless otherwise specified)

Parameter	Symbol	Test Conditions	Min	Typ ⁽¹⁾	Max	Units
Supply Voltage	V_{DD}	Operating	2.7	-	24	V
Supply Current	I_{DD}		1.5	3.0	4.5	mA
Reverse Supply Current	I_{DDREV}	$V_{DD} = -18\text{V}$	-1			mA
Output Leakage Current	I_{OFF}	$V_{OUT} = 12\text{V}$, $V_{DD} = 12\text{V}$, $B < B_{rp}$		0.1	10	μA
Output Saturation Voltage	V_{DSon}	$B > B_{OP}$, $V_{DD} = 3.8$ to 18V , $I_{OUT} = 20\text{mA}$		0.2	0.5	V
Output Rise Time ⁽²⁾ (R_{PU} dependent)	t_R	$V_{DD} = 12\text{V}$, $V_{PU}^{(3)} = 5\text{V}$, $R_{PU} = 1\text{k}\Omega$ $C_{LOAD} = 50\text{pF}$ to GND	0.1	0.3	1	μs
Output Fall Time ⁽²⁾ (On-chip controlled)	t_F	$V_{DD} = 12\text{V}$, $V_{PU} = 5\text{V}$, $R_{PU} = 1\text{k}\Omega$ $C_{LOAD} = 50\text{pF}$ to GND	0.1	0.3	1	μs
Output Current Limit	I_{CL}	$B > B_{OP}$, $V_{DD} = 3.8$ to 18V , $V_{OUT} = 12\text{V}$	22	40	70	mA
Output ON Time under Current Limit conditions ⁽⁴⁾	t_{CLON}	$B > B_{OP}$, $V_{PU} = 12\text{V}$, $R_{PU} = 100\Omega$	150	240		μs
Output OFF Time under Current Limit conditions ⁽⁴⁾	t_{CLOFF}	$B > B_{OP}$, $V_{PU} = 12\text{V}$, $R_{PU} = 100\Omega$		3.5		ms
Chopping Frequency	f_{CHOP}			340		kHz
Output Refresh Period ⁽²⁾	t_{PER}			6		μs
Delay time ^(2,5)	t_D	Average over 1000 successive switching events @10kHz, square wave with $B \geq 30\text{mT}$, $t_{RISE} = t_{FALL} \leq 20\mu\text{s}$		6		μs
Output Jitter (p-p) ^(2, 6)	t_{JITTER}	Over 1000 successive switching events @1kHz, square wave with $B \geq 30\text{mT}$, $t_{RISE} = t_{FALL} \leq 100\mu\text{s}$		± 3		μs
Maximum Switching Frequency ^(2,7)	f_{SW}	$B \geq 30\text{mT}$ and square wave magnetic field	30	50		kHz
Power-On Time ^(8,9)	t_{ON}	$V_{DD} = 5\text{V}$, $dV_{DD}/dt > 2\text{V}/\mu\text{s}$		16	35	μs
Under-voltage Lockout Threshold	V_{UVL}		2.2	2.4	2.7	V
Under-voltage Lockout Reaction time ⁽²⁾	t_{UVL}			1		μs
Thermal Protection Threshold ⁽¹⁰⁾	T_{PROT}	Junction temperature		185		$^{\circ}\text{C}$
Thermal Protection Release ⁽¹⁰⁾	T_{REL}	Junction temperature		170		$^{\circ}\text{C}$
SE Package Thermal Resistance	R_{TH}	Single layer (1S) Jedec board		300		$^{\circ}\text{C}/\text{W}$
UA Package Thermal Resistance	R_{TH}	Single layer (1S) Jedec board		200		$^{\circ}\text{C}/\text{W}$

Table 1: Electrical specifications

¹ Typical values are defined at $T_A = +25^{\circ}\text{C}$ and $V_{DD} = 12\text{V}$, unless otherwise specified

² Guaranteed by design and verified by characterization, not production tested

³ R_{PU} and V_{PU} are respectively the external pull-up resistor and pull-up power supply

⁴ If the Output is in Current Limitation longer than t_{CLON} the Output is switched off in high-impedance state. The Output returns back in active state at next reaching of B_{OP} or after t_{CLOFF} time interval

⁵ The Delay Time is the time from magnetic threshold reached to the start of the output switching

⁶ Output jitter is the unpredictable deviation of the Delay time

⁷ Maximum switching frequency corresponds to the maximum frequency of the applied magnetic field which is detected without loss of pulses

⁸ The Power-On Time represents the time from reaching $V_{DD} = V_{POR}$ to the first refresh of the output (first valid output state)

⁹ Power-On Slew Rate is not critical for the proper device start-up

¹⁰ T_{PROT} and T_{REL} are the corresponding junction temperature values.

6 Magnetic Specifications

6.1 MLX92211LSE-AAA-000

DC Operating Parameters $V_{DD} = 3.8$ to $24V$, $T_a = -40^{\circ}C$ to $150^{\circ}C$

Test Condition	Operating Point B_{OP} (mT)			Release Point B_{RP} (mT)			TC (ppm/ $^{\circ}C$)	Active Pole
	Min	Typ ⁽¹⁾	Max	Min	Typ	Max		
$T_J = -40^{\circ}C$	1.4	3.2	4.7	-4.7	-3.2	-1.4	-1100	South Pole
$T_J = 25^{\circ}C$	1.4	3	4.7	-4.7	-3.0	-1.4		
$T_J = 150^{\circ}C$	0.7	2.6	5	-5	-2.6	-0.7		

6.2 MLX92211LUA-AAA-000

DC Operating Parameters $V_{DD} = 3.8$ to $24V$, $T_a = -40^{\circ}C$ to $150^{\circ}C$

Test Condition	Operating Point B_{OP} (mT)			Release Point B_{RP} (mT)			TC (ppm/ $^{\circ}C$)	Active Pole
	Min	Typ ⁽¹⁾	Max	Min	Typ ⁽¹⁰⁾	Max		
$T_J = -40^{\circ}C$	1.4	3.2	4.7	-4.7	-3.2	-1.4	-1100	South Pole
$T_J = 25^{\circ}C$	1.4	3	4.7	-4.7	-3.0	-1.4		
$T_J = 150^{\circ}C$	0.7	2.6	5	-5	-2.6	-0.7		

6.3 MLX92211LSE-ACA-000

DC Operating Parameters $V_{DD} = 3.8$ to $24V$, $T_a = -40^{\circ}C$ to $150^{\circ}C$

Test Condition	Operating Point B_{OP} (mT)			Release Point B_{RP} (mT)			TC (ppm/ $^{\circ}C$)	Active Pole
	Min	Typ ⁽¹⁾	Max	Min	Typ ⁽¹⁰⁾	Max		
$T_J = -40^{\circ}C$	1.2	3.2	5.5	-5.5	-3.2	-1.2	-2000	North Pole
$T_J = 25^{\circ}C$	1.0	2.8	4.7	-4.7	-2.8	-1.0		
$T_J = 150^{\circ}C$	0.5	2.1	4.2	-4.2	-2.1	-0.5		

6.4 MLX92211LSE-ADA-000

DC Operating Parameters $V_{DD} = 3.8$ to $24V$, $T_a = -40^{\circ}C$ to $150^{\circ}C$

Test Condition	Operating Point B_{OP} (mT)			Release Point B_{RP} (mT)			TC (ppm/ $^{\circ}C$)	Active Pole
	Min	Typ ⁽¹⁾	Max	Min	Typ ⁽¹⁰⁾	Max		
$T_J = -40^{\circ}C$	11.0	15.1	20.0	-20.0	-15.1	-11.0	-2000	South Pole
$T_J = 25^{\circ}C$	10.2	13.5	17.1	-17.1	-13.5	-10.2		
$T_J = 150^{\circ}C$	6.7	10.3	14.7	-14.7	-10.3	-6.7		

¹ Typical values are defined at $T_a = +25^{\circ}C$ and $V_{DD} = 12V$, unless otherwise specified

6.5 MLX92211LUA-ADA-000

DC Operating Parameters $V_{DD} = 3.8$ to $24V$, $T_a = -40^\circ C$ to $150^\circ C$ (unless otherwise specified)

Test Condition	Operating Point B_{OP} (mT)			Release Point B_{RP} (mT)			TC (ppm/ $^\circ C$)	Active Pole
	Min	Typ ⁽¹⁾	Max	Min	Typ	Max		
$T_J = -40^\circ C$	11.0	15.1	20.0	-20.0	-15.1	-11.0	-2000	South Pole
$T_J = 25^\circ C$	10.2	13.5	17.1	-17.1	-13.5	-10.2		
$T_J = 150^\circ C$	6.7	10.3	14.7	-14.7	-10.3	-6.7		

Table 1: Magnetic specifications

7 Output Behaviour versus Magnetic Pole

7.1 South Pole Active

DC Operating Parameters $T_A = -40^\circ C$ to $150^\circ C$, $V_{DD} = 2.7V$ to $24V$ (unless otherwise specified)

Parameter	Test Conditions	OUT
South pole	$B > B_{OP}$	Low (V_{DSon})
North pole	$B < B_{RP}$	High (V_{PU}) ⁽³⁾

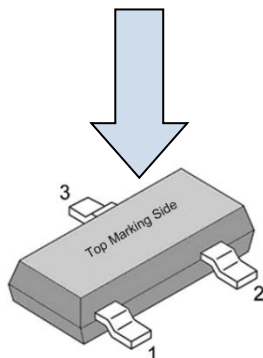
Table 2: Output behaviour versus magnetic pole⁽⁴⁾

7.2 North Pole Active

DC Operating Parameters $T_A = -40^\circ C$ to $150^\circ C$, $V_{DD} = 2.7V$ to $24V$ (unless otherwise specified)

Parameter	Test Conditions	OUT
South pole	$B > B_{OP}$	High (V_{PU}) ⁽¹⁾
North pole	$B < B_{RP}$	Low (V_{DSon})

Table 3: Output behaviour versus magnetic pole⁽²⁾



¹ Typical values are defined at $T_A = +25^\circ C$ and $V_{DD} = 12V$, unless otherwise specified

² Temperature Coefficient is calculated using the following formula:

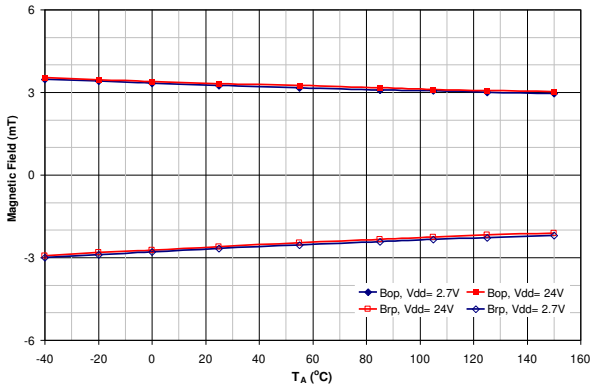
$$\frac{B_{T2} - B_{T1}}{B_{25^\circ C} \times (T_2 - T_1)} * 10^6, ppm/^\circ C; T_1 = -40^\circ C; T_2 = 150^\circ C, \text{ value guaranteed by design and verified by characterization, not production tested}$$

³ Default Output state during power-up

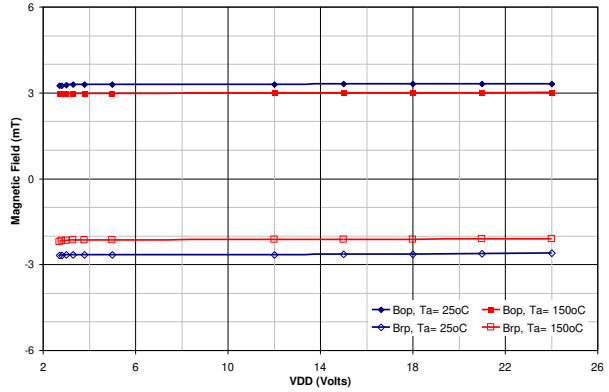
⁴ Magnetic pole facing the branded/top side of the package

8 Performance Graphs

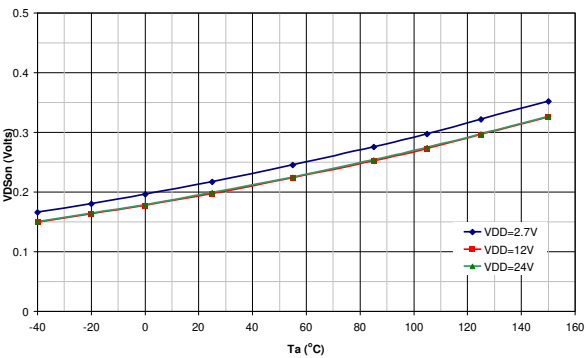
8.1 Magnetic parameters vs. T_A



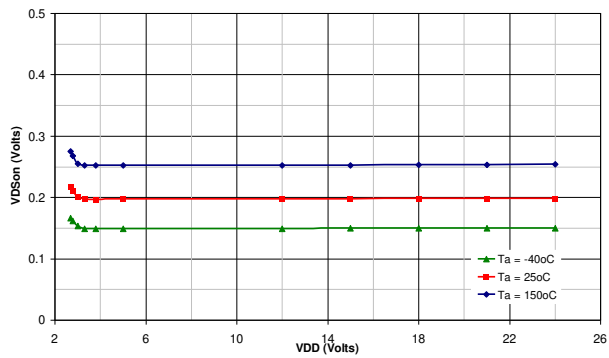
8.2 Magnetic parameters vs. V_{DD}



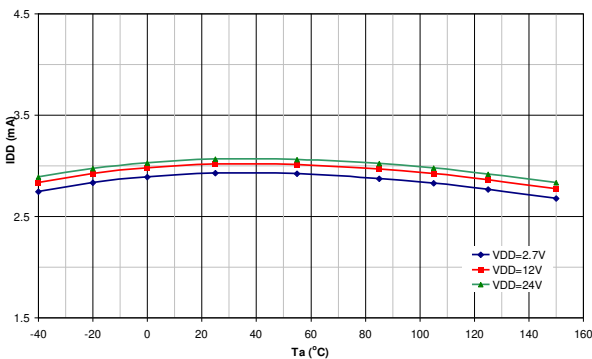
8.3 V_{DSon} vs. T_A



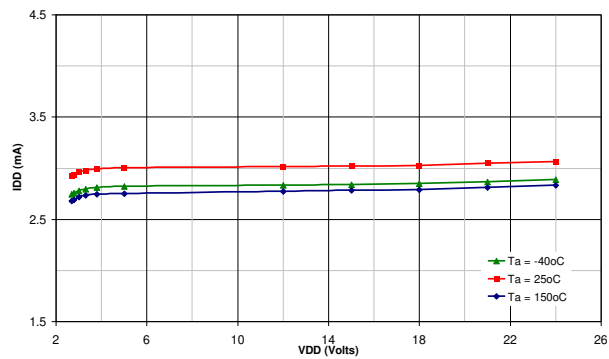
8.4 V_{DSon} vs. V_{DD}



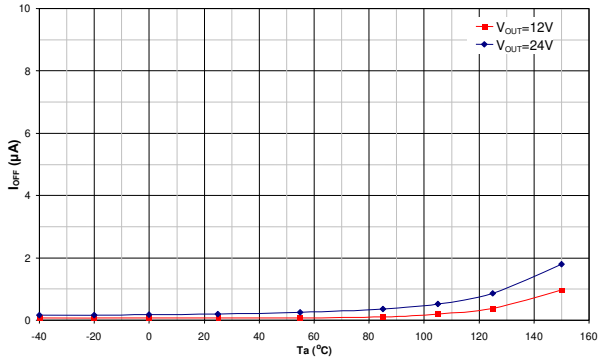
8.5 I_{DD} vs. T_A



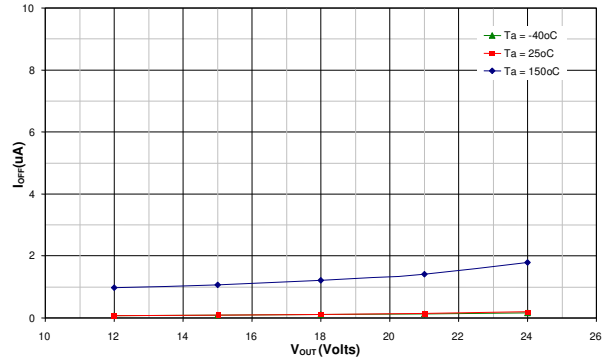
8.6 I_{DD} vs. V_{DD}



8.7 I_{OFF} vs. T_A

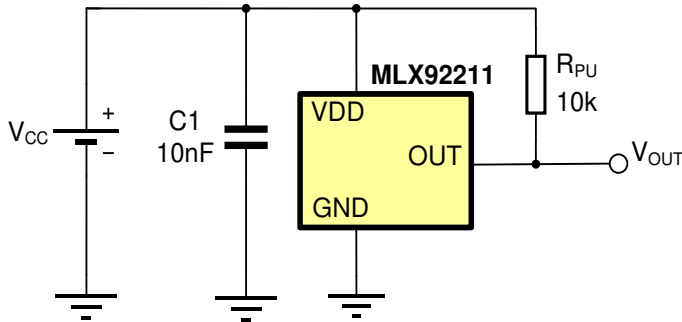


8.8 I_{OFF} vs. V_{OUT}



9 Application Information

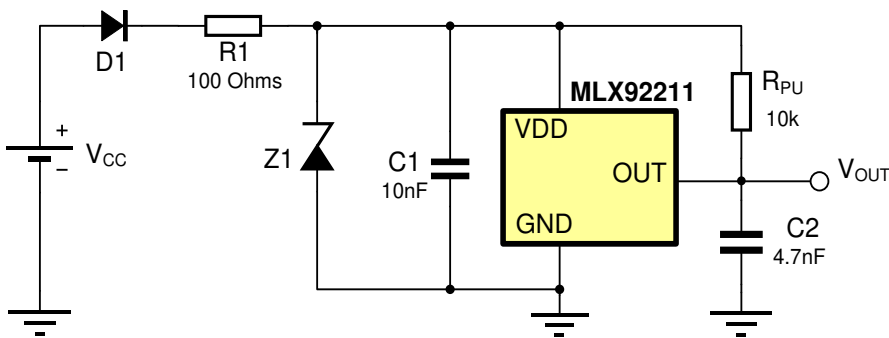
9.1 Typical Three-Wire Application Circuit



Notes:

1. For proper operation, a 10nF to 100nF bypass capacitor should be placed as close as possible to the V_{DD} and ground pin.
2. The pull-up resistor R_{PU} value should be chosen in to limit the current through the output pin below the maximum allowed continuous current for the device.
3. A capacitor connected to the output is not obligatory, because the output slope is generated internally.

9.2 Automotive and Harsh, Noisy Environments Three-Wire Circuit



Notes:

1. For proper operation, a 10nF to 100nF bypass capacitor should be placed as close as possible to the V_{DD} and ground pin.
2. The device could tolerate negative voltage down to -27V, so if negative transients over supply line V_{PEAK} < -32V are expected, usage of the diode D1 is recommended. Otherwise only R1 is sufficient.
When selecting the resistor R1, three points are important:
 - the resistor has to limit I_{DD}/I_{DDREV} to 50mA maximum
 - the resistor has to withstand the power dissipated in both over voltage conditions ($V_{R1}^2/R1$)
 - the resulting device supply voltage V_{DD} has to be higher than V_{DD} min ($V_{DD} = V_{CC} - R1 \cdot I_{DD}$)
3. The device could tolerate positive supply voltage up to +27V (until the maximum power dissipation is not exceeded), so if positive transients over supply line with V_{PEAK} > 32V are expected, usage a zener diode Z1 is recommended. The R1-Z1 network should be sized to limit the voltage over the device below the maximum allowed.

10 Standard information regarding manufacturability of Melexis products with different soldering processes

Our products are classified and qualified regarding soldering technology, solderability and moisture sensitivity level according to following test methods:

Reflow Soldering SMD's (Surface Mount Devices)

- IPC/JEDEC J-STD-020
Moisture/Reflow Sensitivity Classification for Nonhermetic Solid State Surface Mount Devices (classification reflow profiles according to table 5-2)
- EIA/JEDEC JESD22-A113
Preconditioning of Nonhermetic Surface Mount Devices Prior to Reliability Testing (reflow profiles according to table 2)

Wave Soldering SMD's (Surface Mount Devices) and THD's (Through Hole Devices)

- EN60749-20
Resistance of plastic- encapsulated SMD's to combined effect of moisture and soldering heat
- EIA/JEDEC JESD22-B106 and EN60749-15
Resistance to soldering temperature for through-hole mounted devices

Iron Soldering THD's (Through Hole Devices)

- EN60749-15
Resistance to soldering temperature for through-hole mounted devices

Solderability SMD's (Surface Mount Devices) and THD's (Through Hole Devices)

- EIA/JEDEC JESD22-B102 and EN60749-21
Solderability

For all soldering technologies deviating from above mentioned standard conditions (regarding peak temperature, temperature gradient, temperature profile etc) additional classification and qualification tests have to be agreed upon with Melexis.

The application of Wave Soldering for SMD's is allowed only after consulting Melexis regarding assurance of adhesive strength between device and board.

Melexis is contributing to global environmental conservation by promoting **lead free** solutions. For more information on qualifications of **RoHS** compliant products (RoHS = European directive on the Restriction Of the use of certain Hazardous Substances) please visit the quality page on our website: <http://www.melexis.com/quality.aspx>

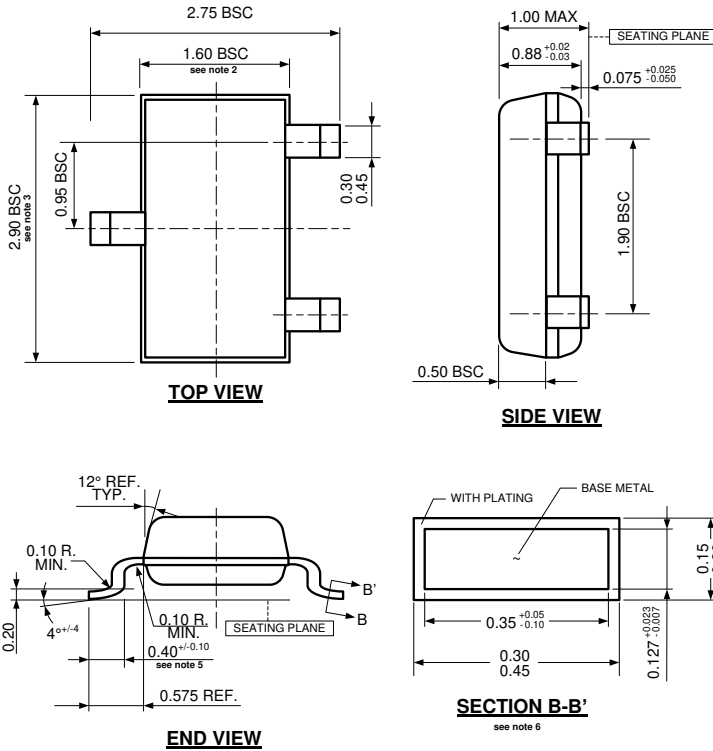
11 ESD Precautions

Electronic semiconductor products are sensitive to Electro Static Discharge (ESD). Always observe Electro Static Discharge control procedures whenever handling semiconductor products.

12 Packages

12.1 SE Package (TSOT-23)

Package Outline Drawing & Hall Plate Position



Notes:

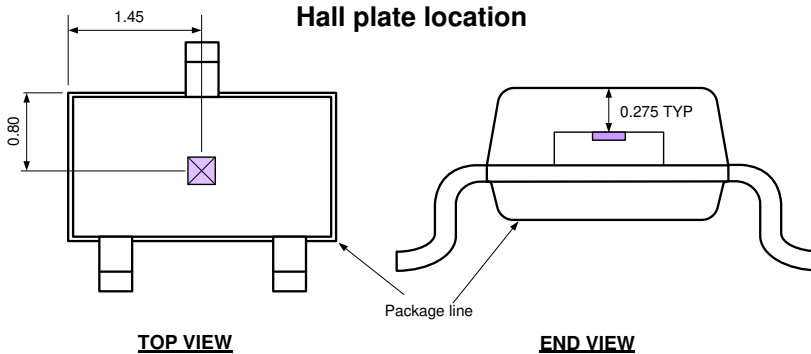
1. All dimensions are in millimeters
2. Outermost plastic extreme width does not include mold flash or protrusions. Mold flash and protrusions shall not exceed 0.15mm per side.
3. Outermost plastic extreme length does not include mold flash or protrusions. Mold flash and protrusions shall not exceed 0.25mm per side.
4. The lead width dimension does not include dambar protrusion. Allowable dambar protrusion shall be 0.07mm total in excess of the lead width dimension at maximum material condition.
5. Dimension is the length of terminal for soldering to a substrate.
6. Dimension on SECTION B-B' applies to the flat section of the lead between 0.08mm and 0.15mm from the lead tip.
7. Formed lead shall be planar with respect to one another with 0.076mm at seating plane.

Marking:

Top side :11YY (11: Part Number 92211; YY: Year (last 2 digits))

Bottom side: XXXX (XXXX: Lot Number (last 4 digits))

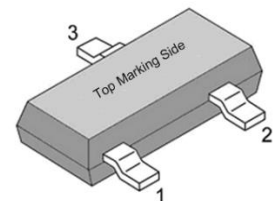
Hall plate location



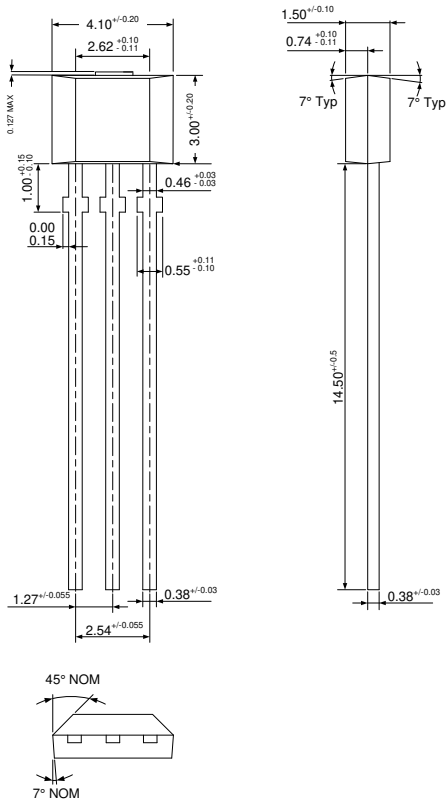
Notes:

1. All dimensions are in millimeters

Pin №	Name	Type	Function
1	VDD	Supply	Supply Voltage pin
2	OUT	Output	Open Drain output pin
3	GND	Ground	Ground pin



12.1 UA (TO92 - 3L)



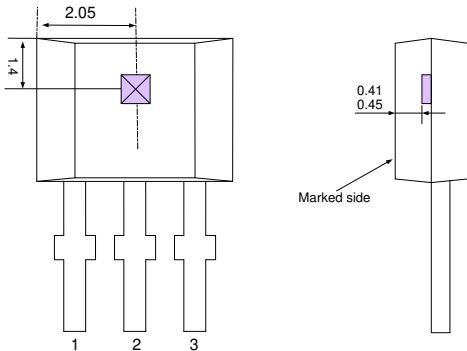
Notes:

1. All dimensions are in millimeters
2. Package dimension exclusive molding flash.
3. The end flash shall not exceed 0.127 mm on the top side.

Marking:

- 1st Line : 11BY; Y - last digit of year
 2nd Line : LLLL; LLLL- last four digits from lot number

Hall plate location



Notes:

1. All dimensions are in millimeters

Pin №	Name	Type	Function
1	VDD	Supply	Supply Voltage pin
2	GND	Ground	Ground pin
3	Out	Output	Open drain output pin

13 Disclaimer

Devices sold by Melexis are covered by the warranty and patent indemnification provisions appearing in its Term of Sale. Melexis makes no warranty, express, statutory, implied, or by description regarding the information set forth herein or regarding the freedom of the described devices from patent infringement. Melexis reserves the right to change specifications and prices at any time and without notice. Therefore, prior to designing this product into a system, it is necessary to check with Melexis for current information. This product is intended for use in normal commercial applications. Applications requiring extended temperature range, unusual environmental requirements, or high reliability applications, such as military, medical life-support or life-sustaining equipment are specifically not recommended without additional processing by Melexis for each application.

The information furnished by Melexis is believed to be correct and accurate. However, Melexis shall not be liable to recipient or any third party for any damages, including but not limited to personal injury, property damage, loss of profits, loss of use, interrupt of business or indirect, special incidental or consequential damages, of any kind, in connection with or arising out of the furnishing, performance or use of the technical data herein. No obligation or liability to recipient or any third party shall arise or flow out of Melexis' rendering of technical or other services.

© 2012 Melexis NV. All rights reserved.

For the latest version of this document, go to our website at
www.melexis.com

Or for additional information contact Melexis Direct:

Europe, Africa:	Americas:	Asia:
Phone: +32 1367 0495	Phone: +1 248-306-5400	Phone: +32 1367 0495
E-mail: sales_europe@melexis.com	E-mail: sales_usa@melexis.com	E-mail: sales_asia@melexis.com

ISO/TS 16949 and ISO14001 Certified