



Chipsmall Limited consists of a professional team with an average of over 10 year of expertise in the distribution of electronic components. Based in Hongkong, we have already established firm and mutual-benefit business relationships with customers from,Europe,America and south Asia,supplying obsolete and hard-to-find components to meet their specific needs.

With the principle of “Quality Parts,Customers Priority,Honest Operation,and Considerate Service”,our business mainly focus on the distribution of electronic components. Line cards we deal with include Microchip,ALPS,ROHM,Xilinx,Pulse,ON,Everlight and Freescale. Main products comprise IC,Modules,Potentiometer,IC Socket,Relay,Connector.Our parts cover such applications as commercial,industrial, and automotives areas.

We are looking forward to setting up business relationship with you and hope to provide you with the best service and solution. Let us make a better world for our industry!



Contact us

Tel: +86-755-8981 8866 Fax: +86-755-8427 6832

Email & Skype: info@chipsmall.com Web: www.chipsmall.com

Address: A1208, Overseas Decoration Building, #122 Zhenhua RD., Futian, Shenzhen, China



ZZ101277
(ON DRAWING)台票図号

版数 REV.	年月日 DATE	DCN NO.	変更内容 DESCRIPTION	製図 DR.	担当 CHK.	査閲 APPD.	承認 APPD.
2	10.Feb.2006	059307	CORRECTION OF ERROR IN WRITING	E.MURANO	Y.YAHIRO		K.HASHIMOTO

DESIGNATION

MM50-200B*-E1E

SERIES PREFIX
シリーズ名

NO. OF CONTACTS
芯数

SOCKET TYPE
ソケットタイプ
B:LATCH TYPE SMT

錫または錫合金(無鉛)
(LEAD FREE TIN/TIN ALLOY)

CONTACT FINISH
接点仕上げ
1: Au(0.1μm MIN) OVER NI

MODIFY CODE
モディファイコード
E: 6.5mm HIGH

KEYING TYPE (DETAIL A) 2: TYPE B (1.8V)
キタイプ キタイプ

DETAIL A
(SCALE 5:1)
(REF. TABLE 1)

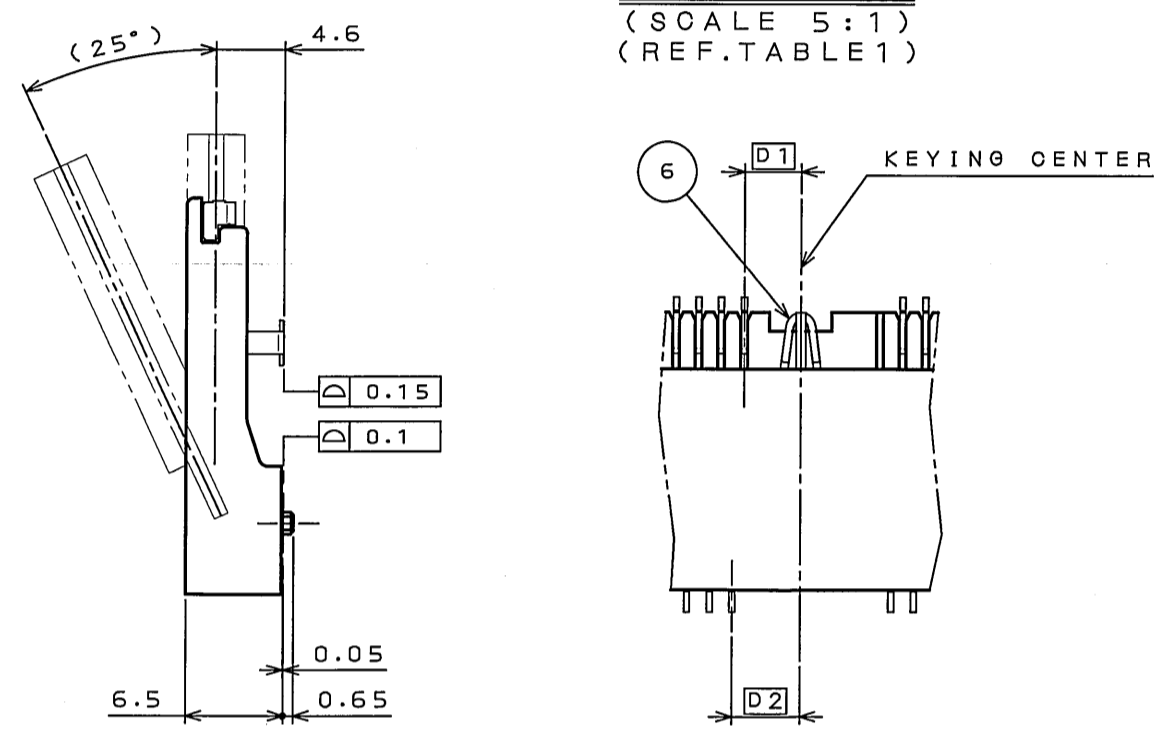
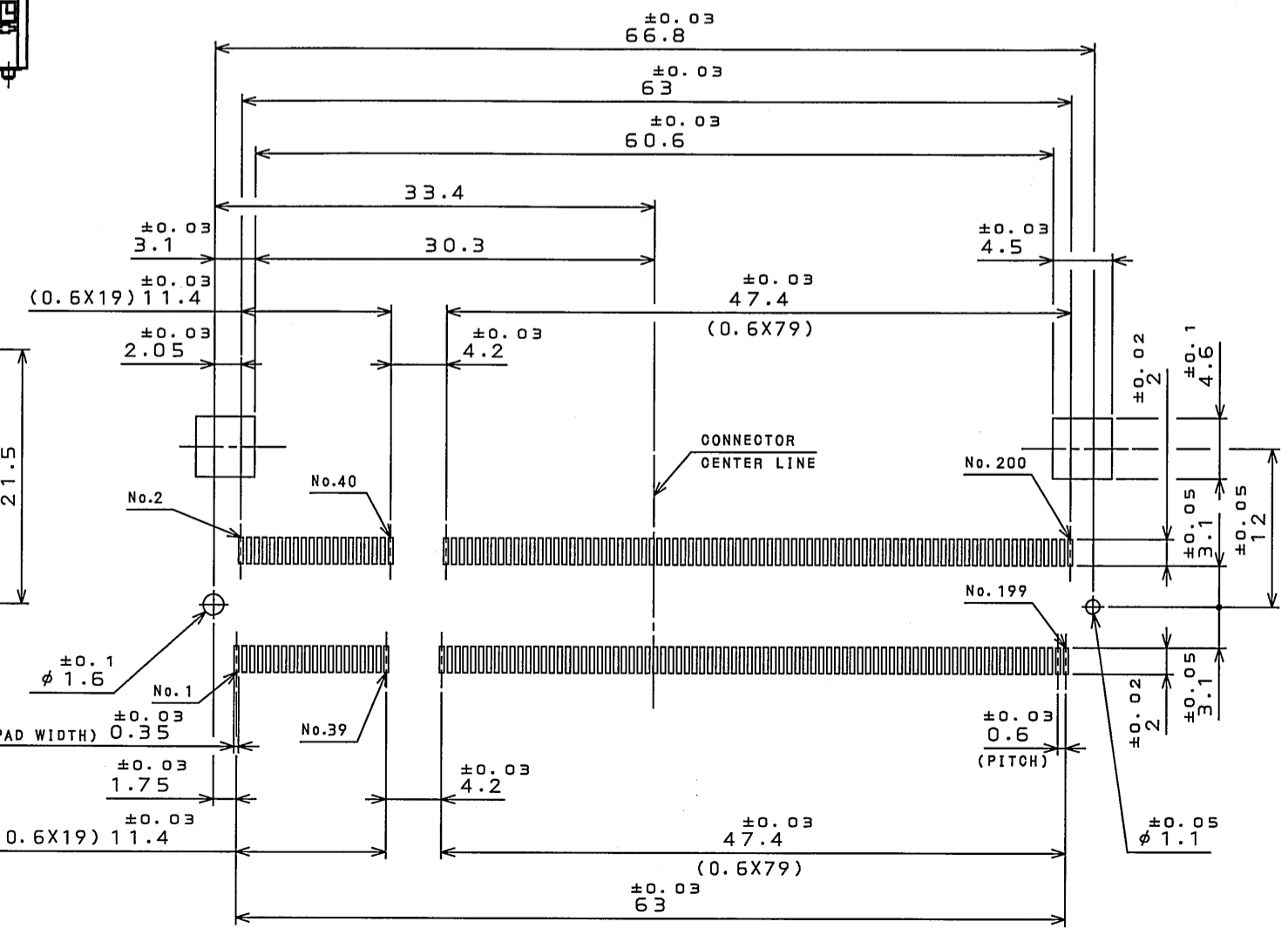


TABLE 2
DISCRIMINATION MARK

PARTS NAME	VOLTAGE MARK	ABRIDGED PART NUMBER
MM50-200B1-E1E	2.5V	E1E
MM50-200B2-E1E	1.8V	2-E1E

APPLICABLE P.C.B. DIMENSION (REF.)
適合基板寸法(参考)



APPLICABLE DIMM (REF.)

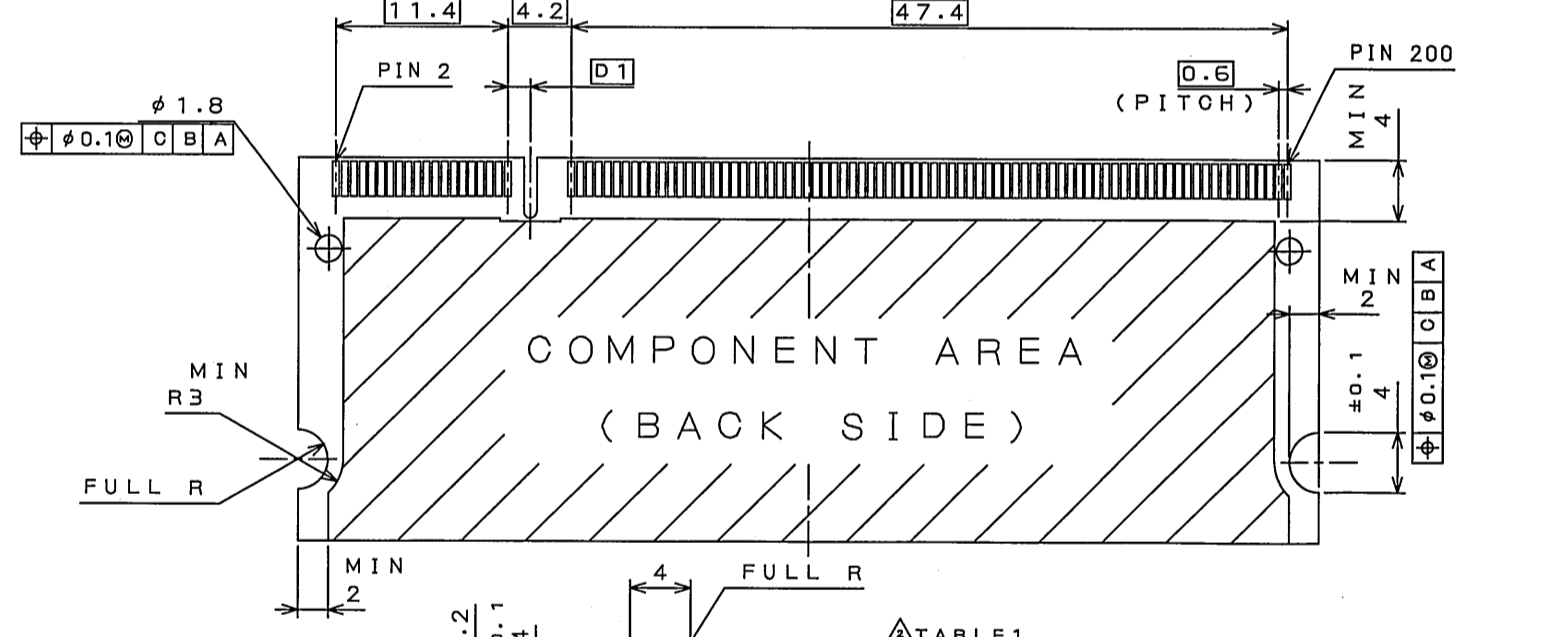
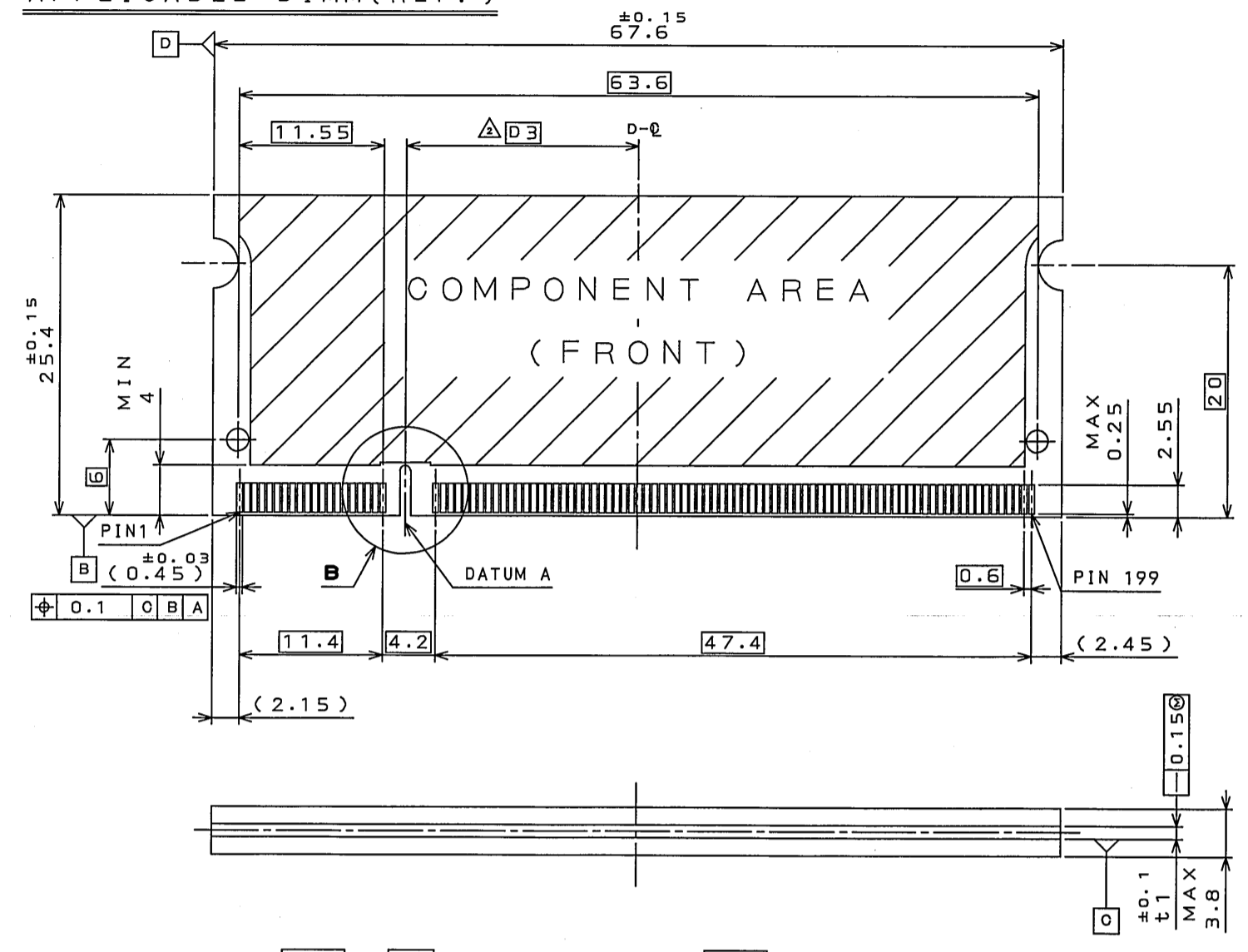
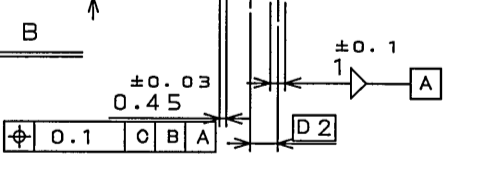


TABLE 1
MECHANICAL KEYING

POWER SUPPLY	D1	D2	D3
2.5V (TYPE A)	1.5	1.8	18.45
1.8V (TYPE B)	2.4	2.7	17.55

DETAIL B



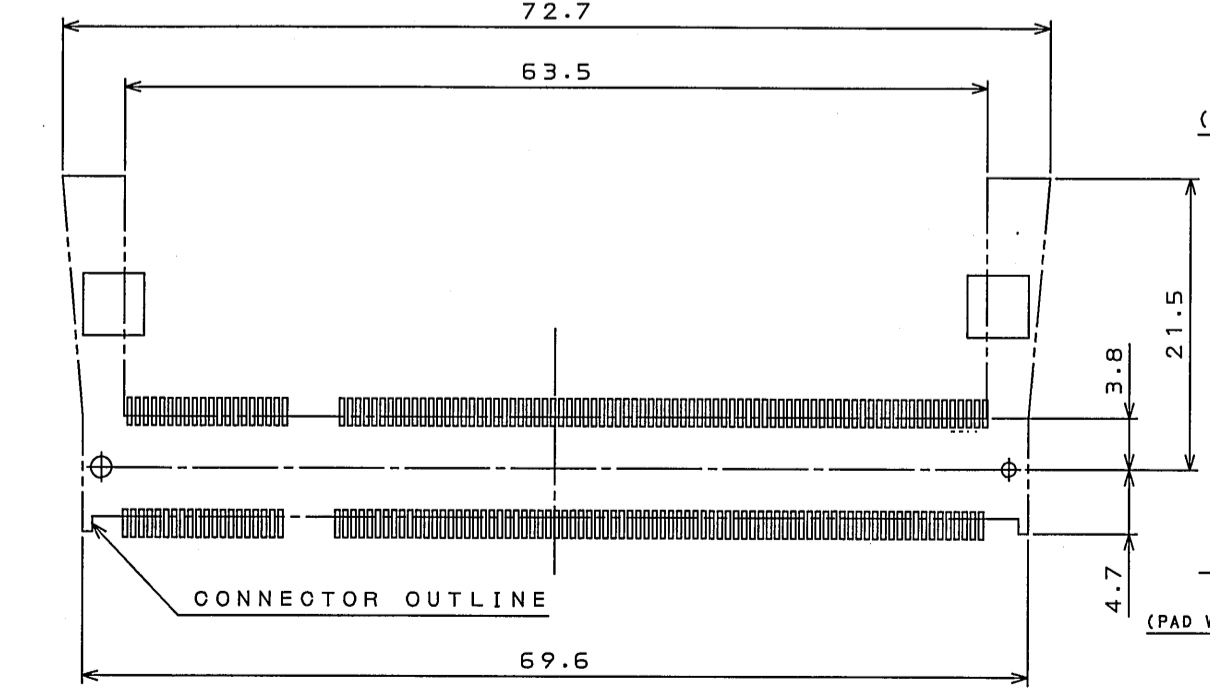
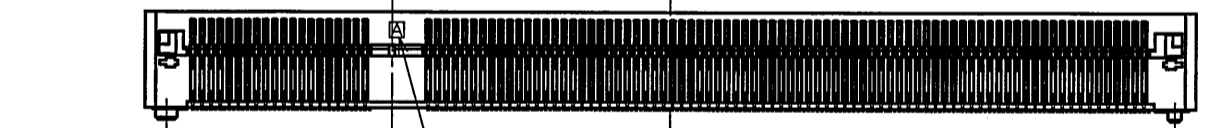
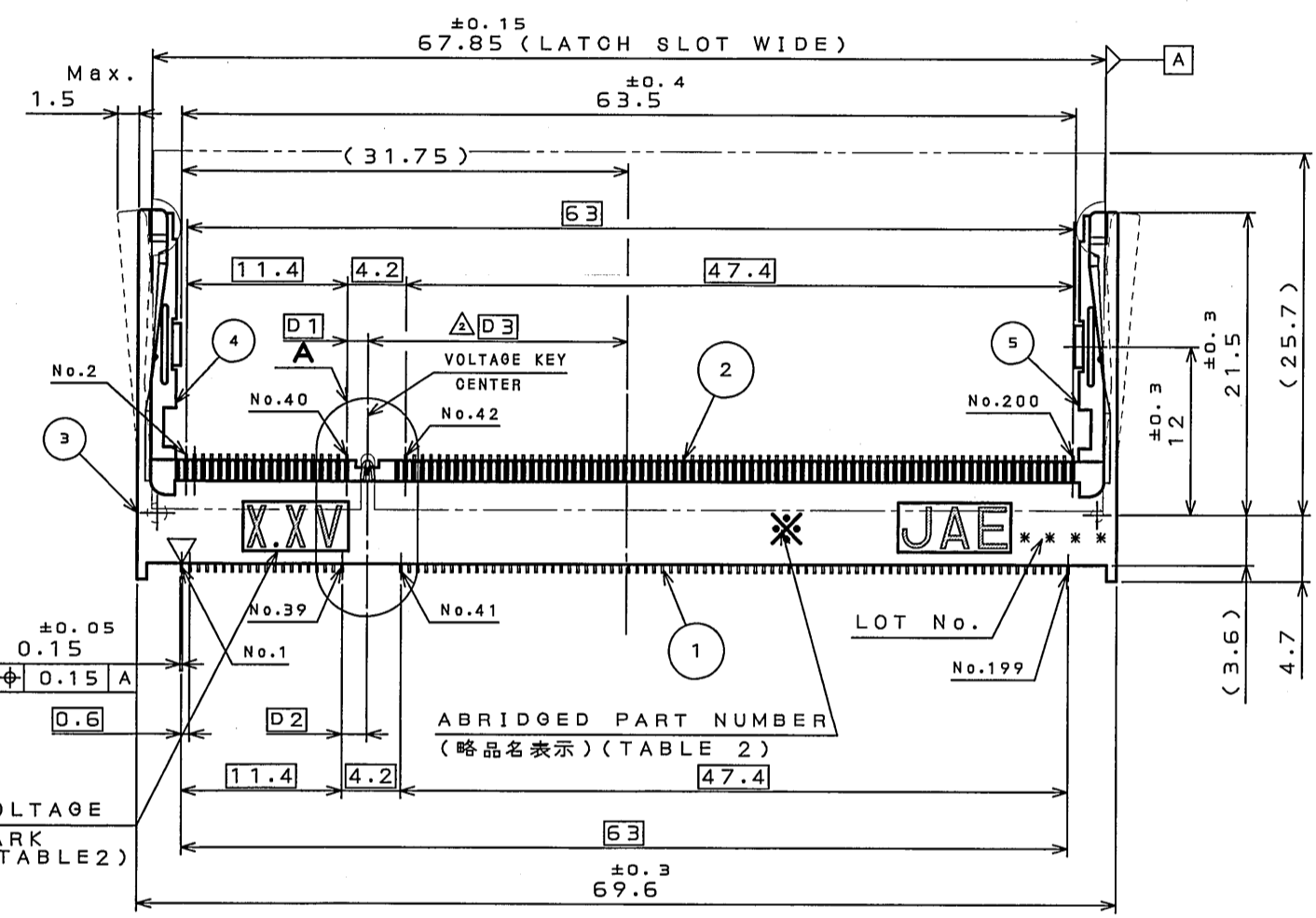
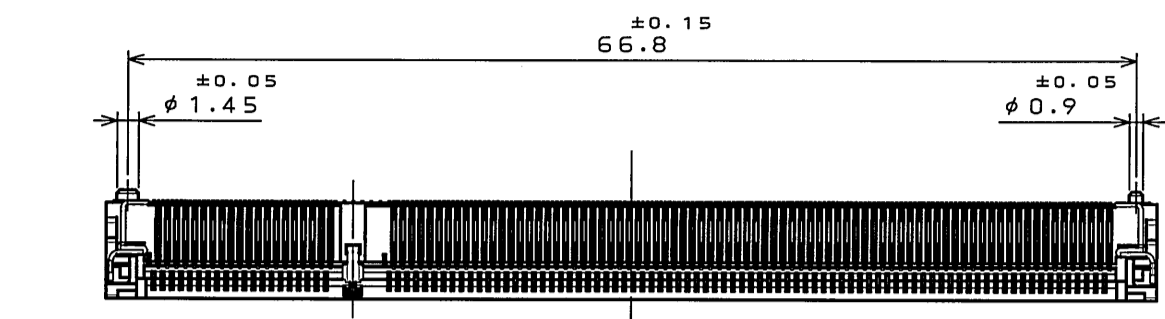
KEY	1	STAINLESS		
5	HOLD DOWN 2	1	PHOSPHOR BRONZE	TIN PLATING
4	HOLD DOWN 1	1	PHOSPHOR BRONZE	TIN PLATING
3	INSULATOR	1	GLASS FILLED LCP	UL94 V-0 COLOR WHITE
2	BOTTOM SIDE CONTACT	100	PHOSPHOR BRONZE	CONTACT AREA: Au(0.1μm MIN) OVER Ni SOLDERING AREA: GOLD FLASH OVER Ni
1	TOP SIDE CONTACT	100	PHOSPHOR BRONZE	CONTACT AREA: Au(0.1μm MIN) OVER Ni SOLDERING AREA: GOLD FLASH OVER Ni

符号 NO.	名 DESCRIPTION	個数 QTY.	材 MATERIAL	料 FINISH	備 REMARKS
6	KEY	1	STAINLESS		
5	HOLD DOWN 2	1	PHOSPHOR BRONZE	TIN PLATING	
4	HOLD DOWN 1	1	PHOSPHOR BRONZE	TIN PLATING	
3	INSULATOR	1	GLASS FILLED LCP		UL94 V-0 COLOR WHITE
2	BOTTOM SIDE CONTACT	100	PHOSPHOR BRONZE		CONTACT AREA: Au(0.1μm MIN) OVER Ni SOLDERING AREA: GOLD FLASH OVER Ni
1	TOP SIDE CONTACT	100	PHOSPHOR BRONZE		CONTACT AREA: Au(0.1μm MIN) OVER Ni SOLDERING AREA: GOLD FLASH OVER Ni

仕様書(SPECIFICATION)	第1版(ORIGINAL DATE)	尺度(SCALE)	シリーズ(SERIES)	製図 DR.	名称(TITLE)
JACS-1655-01	20.May.2004	2:1	MM50		MM50 -200B*-E1E

公差(GENERAL TOLERANCE)	角度(ANGLES)	製図 DR.	担当 CHK.	製図 DR.	名称(TITLE)
. ±0.8	×° ±		R.KATOU		MM50 -200B*-E1E
.X ±0.4	×° ±		Y.YAHIRO		
.XX ±0.1	×° ±		S.KASHIWAQI		
.XXX ±					

図面番号(DRAWING NO.)	版数 (REV.)
SJ101277	2



DOF-0-213E(05.08)

LEAD FREE この製品は鉛フリー品です