



Chipsmall Limited consists of a professional team with an average of over 10 year of expertise in the distribution of electronic components. Based in Hongkong, we have already established firm and mutual-benefit business relationships with customers from,Europe,America and south Asia,supplying obsolete and hard-to-find components to meet their specific needs.

With the principle of “Quality Parts,Customers Priority,Honest Operation,and Considerate Service”,our business mainly focus on the distribution of electronic components. Line cards we deal with include Microchip,ALPS,ROHM,Xilinx,Pulse,ON,Everlight and Freescale. Main products comprise IC,Modules,Potentiometer,IC Socket,Relay,Connector.Our parts cover such applications as commercial,industrial, and automotives areas.

We are looking forward to setting up business relationship with you and hope to provide you with the best service and solution. Let us make a better world for our industry!



Contact us

Tel: +86-755-8981 8866 Fax: +86-755-8427 6832

Email & Skype: info@chipsmall.com Web: www.chipsmall.com

Address: A1208, Overseas Decoration Building, #122 Zhenhua RD., Futian, Shenzhen, China



DESIGNATION

MM50-200B*-*RE

SERIES PREFIX
シリーズ名

NO. OF CONTACTS
芯数

SOCKET TYPE
ソケットタイプ
B:LATCH TYPE SMT

錫または錫合金(無鉛)
(LEAD FREE)TIN/TIN ALLOY

R:REVERSE
NONE:STANDARD

CONTACT FINISH
接点仕上げ

1:Au(0.1μm MIN) OVER NI
2:Au(0.3μm MIN) OVER NI

KEYING TYPE(Detail A) 2:TYPE B(1.8V)
キタイプ
1:TYPE A(2.5V)

TABLE 2

CONTACT FINISH		
PARTS NAME	CONTACT AREA	SOLDERING AREA
MM50-200B*-1RE	Au(0.1μm MIN.) OVER NI	GOLD FLASH OVER NI
MM50-200B*-2RE	Au(0.3μm MIN.) OVER NI	GOLD FLASH OVER NI

DETAIL A

(SCALE 5:1)
(REF.TABLE 1)

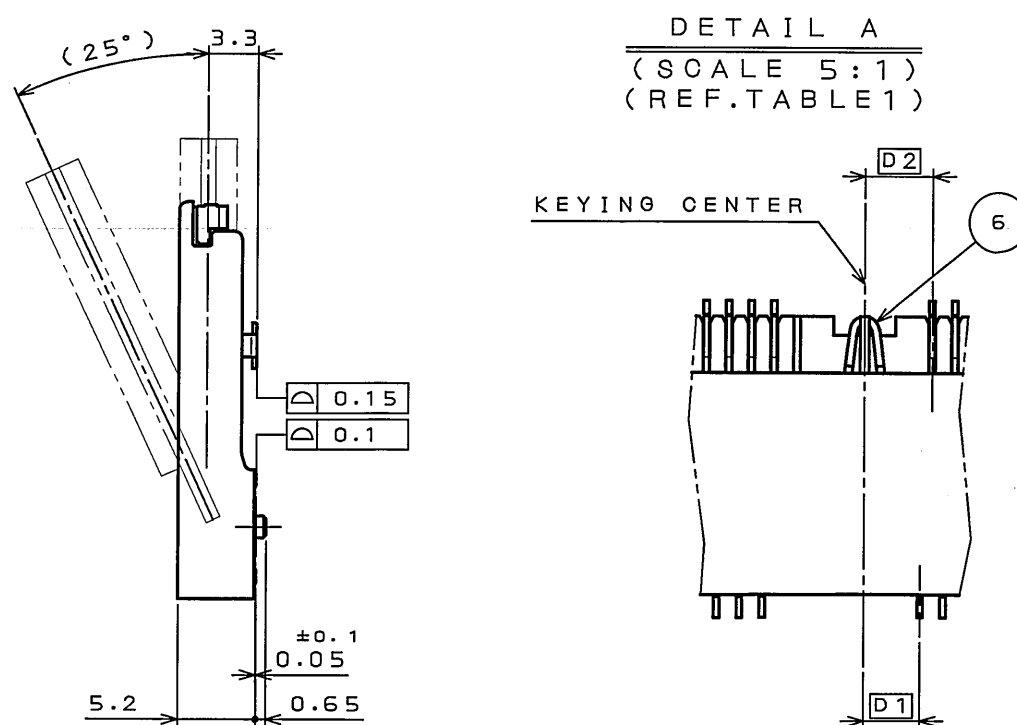
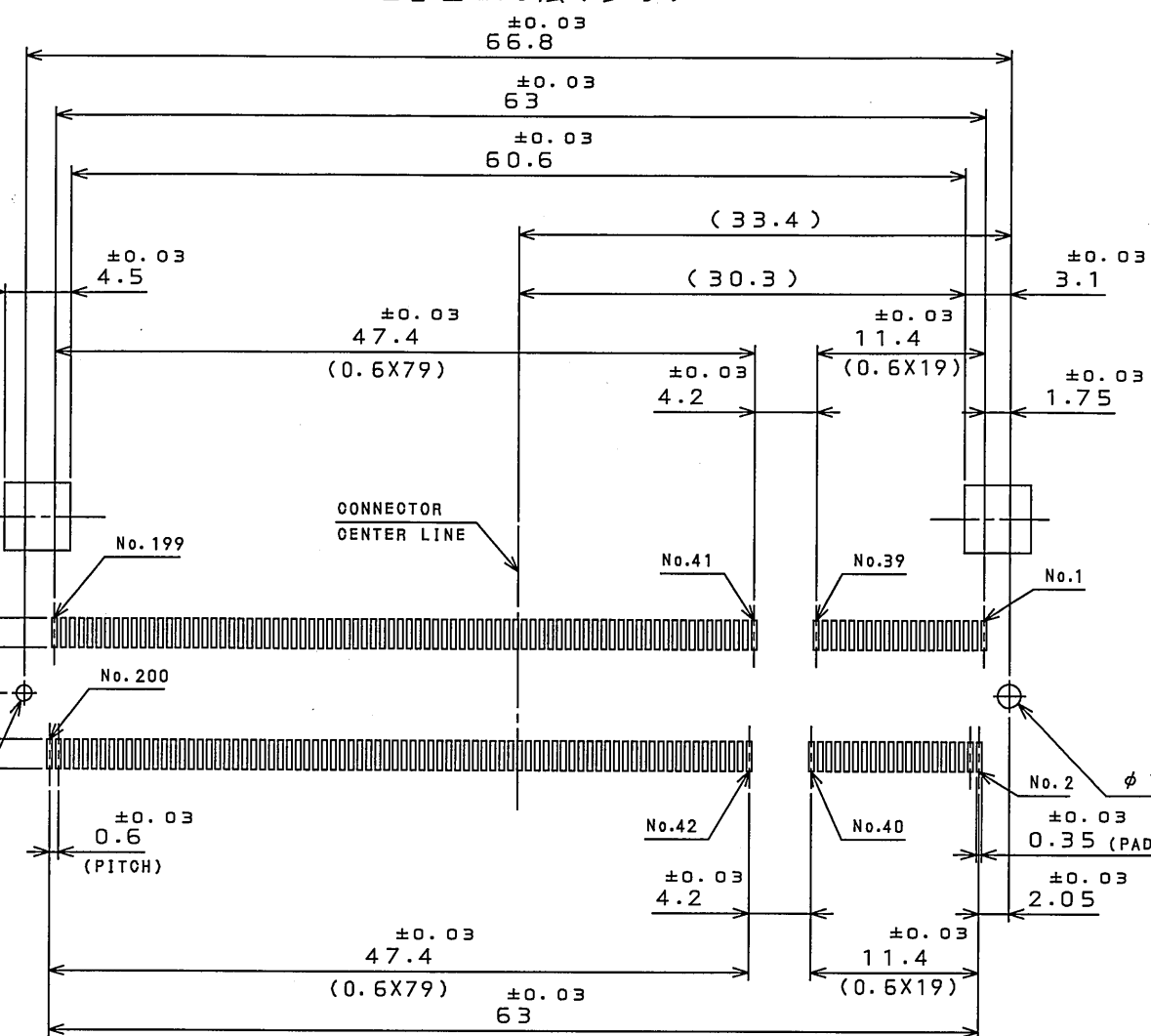


TABLE 3

DISCRIMINATION MARK		
PARTS NAME	VOLTAGE MARK	ABRIDGED PART NUMBER
MM50-200B1-*RE	2.5V	*RE
MM50-200B2-*RE	1.8V	2-*RE

APPLICABLE P.C.B. DIMENSION(REF.)

適合基板寸法(参考)



版数 REV.	年月日 DATE	DON NO.	変更内容 DESCRIPTION	製図 DR.	担当 CHK.	査閲 APPD.	承認 APPD.
2	10.Feb.2006	059307	CORRECTION OF ERROR IN WRITTING	E.MURANO	Y.YAHIRO		K.HAYASHI

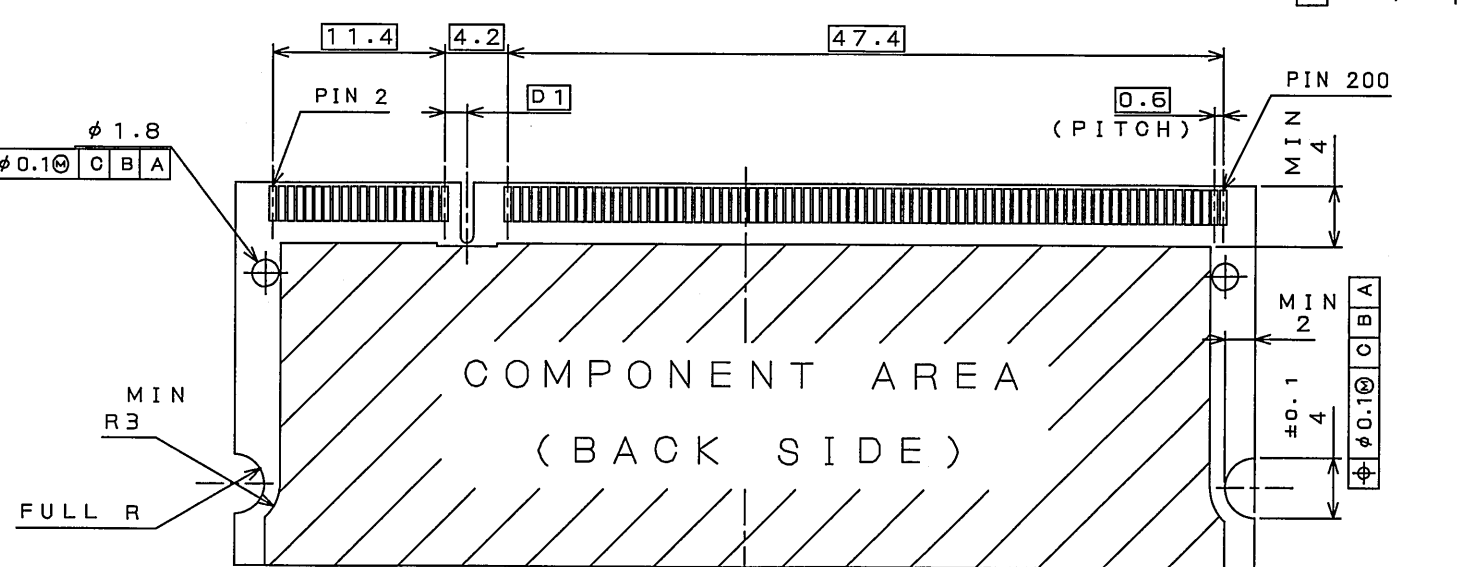
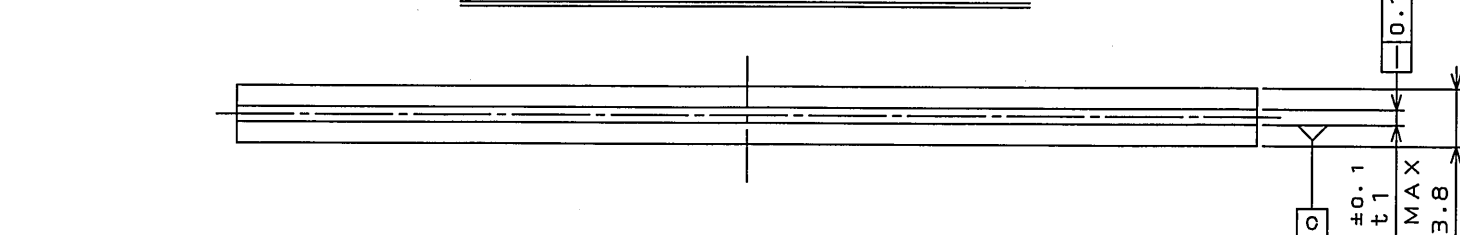
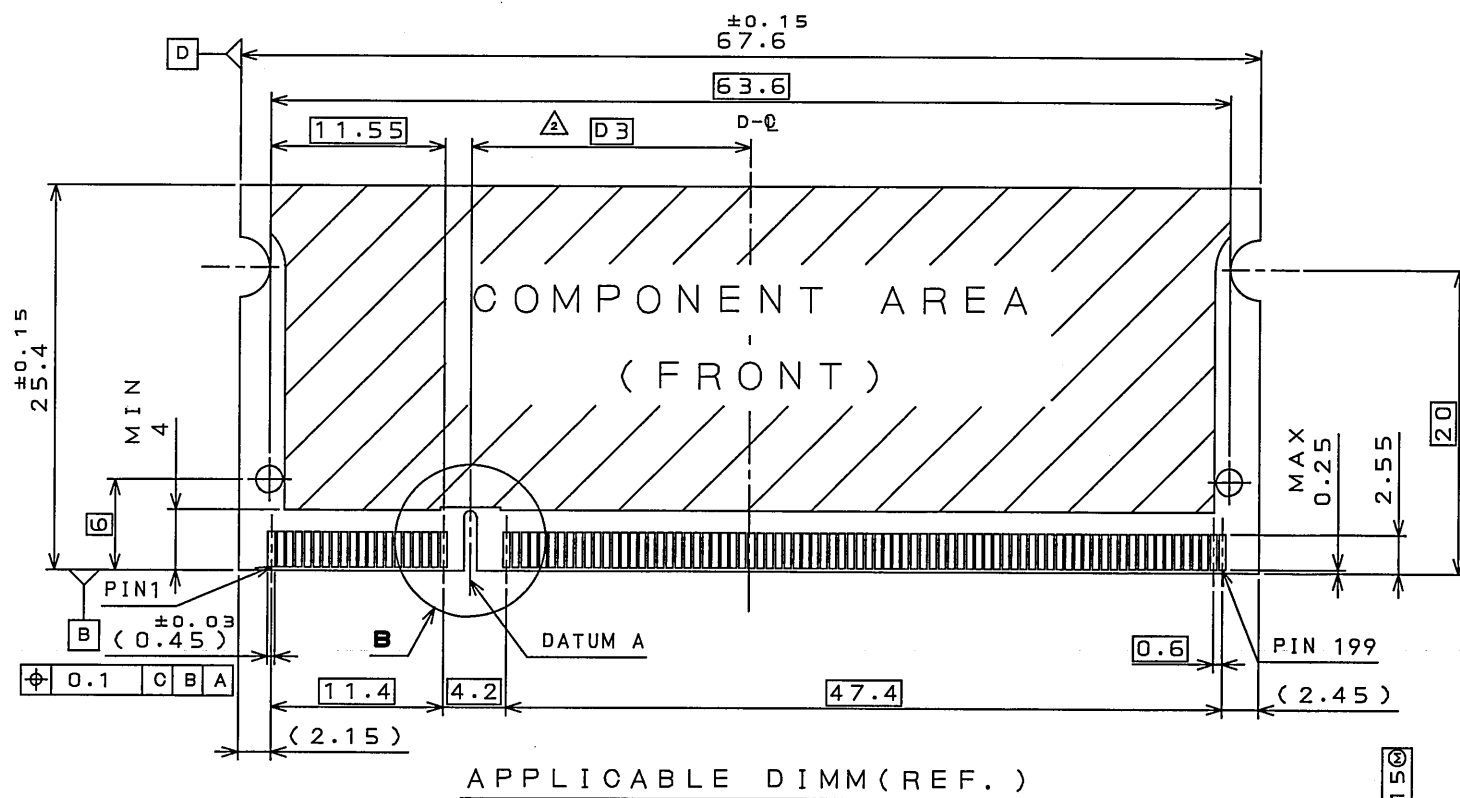
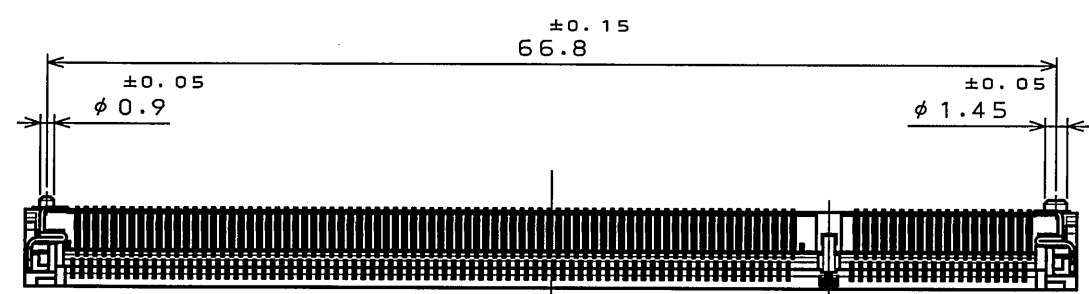
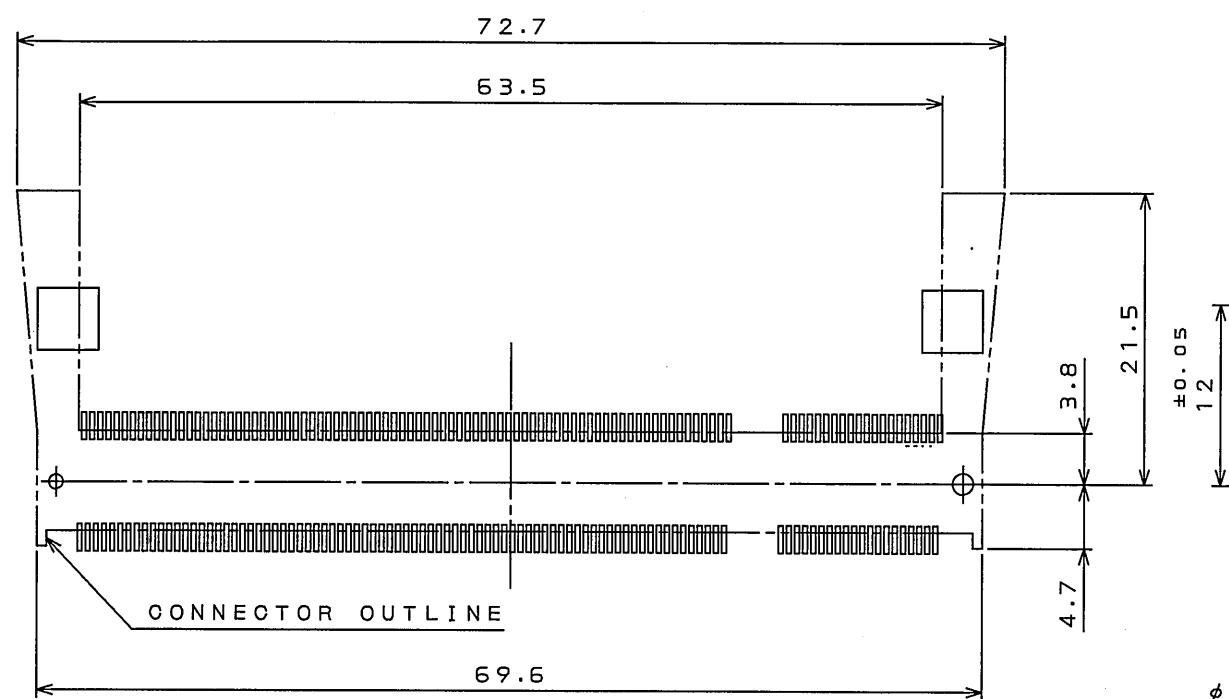
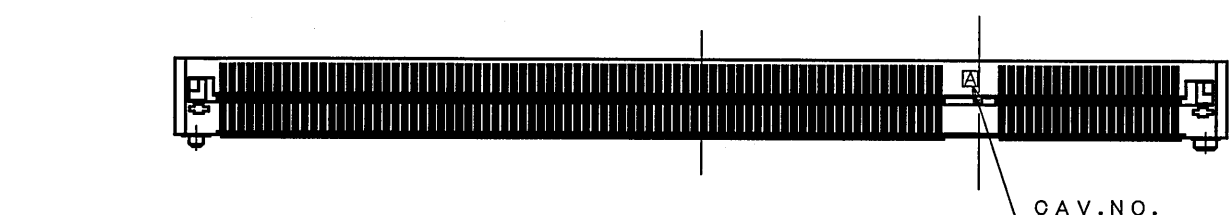
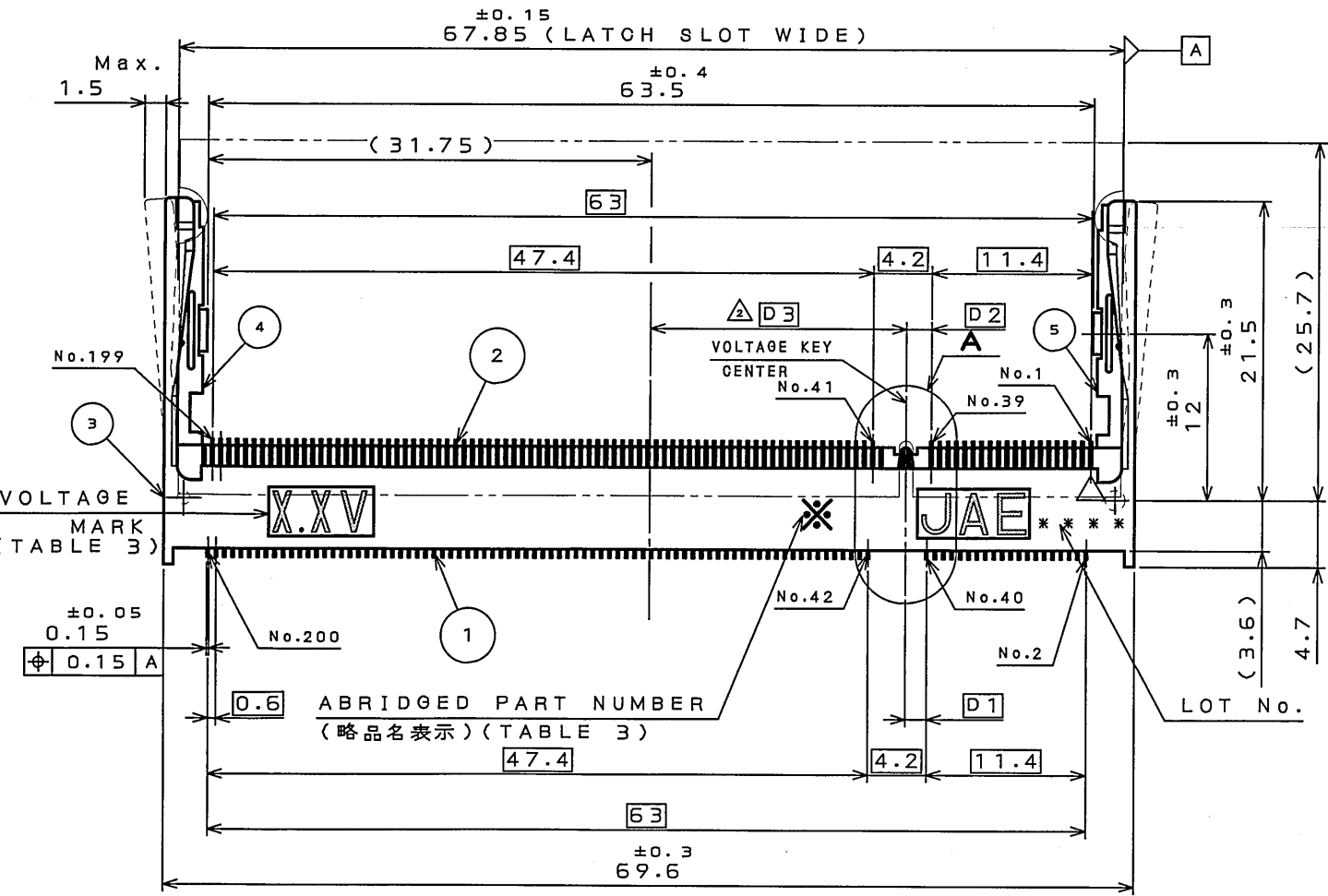
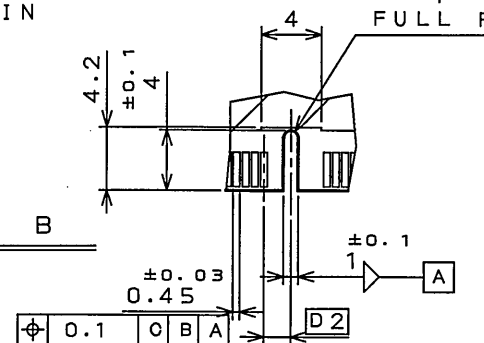


TABLE 1

MECHANICAL KEYING

POWER SUPPLY	D1	D2	D3
2.5V(TYPE A)	1.5	1.8	18.45
1.8V(TYPE B)	2.4	2.7	17.55

DETAIL B



6 KEY	1 STAINLESS		
5 HOLD DOWN 2	1 PHOSPHOR BRONZE TIN PLATING		
4 HOLD DOWN 1	1 PHOSPHOR BRONZE TIN PLATING		
3 INSULATOR	1 GLASS FILLED LCP		UL94 V-0 COLOR WHITE
2 BOTTOM SIDE CONTACT	100 PHOSPHOR BRONZE	SEE TABLE 2	
1 TOP SIDE CONTACT	100 PHOSPHOR BRONZE	SEE TABLE 2	

符号 NO.	名 DESCRIPTION	個数 QTY.	材 MATERIAL	料 料	仕 FINISH	備 考 REMARKS
仕様書(SPECIFICATION)		第1版(ORIGINAL DATE)		尺度(SCALE)		シリーズ(SERIES)
JACS-1655-01		24.Oct.2003		2:1		MM50
公差(GENERAL TOLERANCE)		製図 DR.		担当 CHK.		名称(TITLE)
		R.KATOU		Y.YAHIRO		MM50
寸法(DIMENSION)		査閲 APPD.		承認 APPD.		-200B*-*RE
. ±0.8		S.KASHIWAOI				図面番号(DRAWING NO.)
.X ±0.4						版数
.XX ±0.1						SJ100130
.XXX ±						版数
						2

LEAD FREE この製品は鉛フリー製品です