



Chipsmall Limited consists of a professional team with an average of over 10 year of expertise in the distribution of electronic components. Based in Hongkong, we have already established firm and mutual-benefit business relationships with customers from,Europe,America and south Asia,supplying obsolete and hard-to-find components to meet their specific needs.

With the principle of "Quality Parts,Customers Priority,Honest Operation,and Considerate Service",our business mainly focus on the distribution of electronic components. Line cards we deal with include Microchip,ALPS,ROHM,Xilinx,Pulse,ON,Everlight and Freescale. Main products comprise IC,Modules,Potentiometer,IC Socket,Relay,Connector.Our parts cover such applications as commercial,industrial, and automotives areas.

We are looking forward to setting up business relationship with you and hope to provide you with the best service and solution. Let us make a better world for our industry!



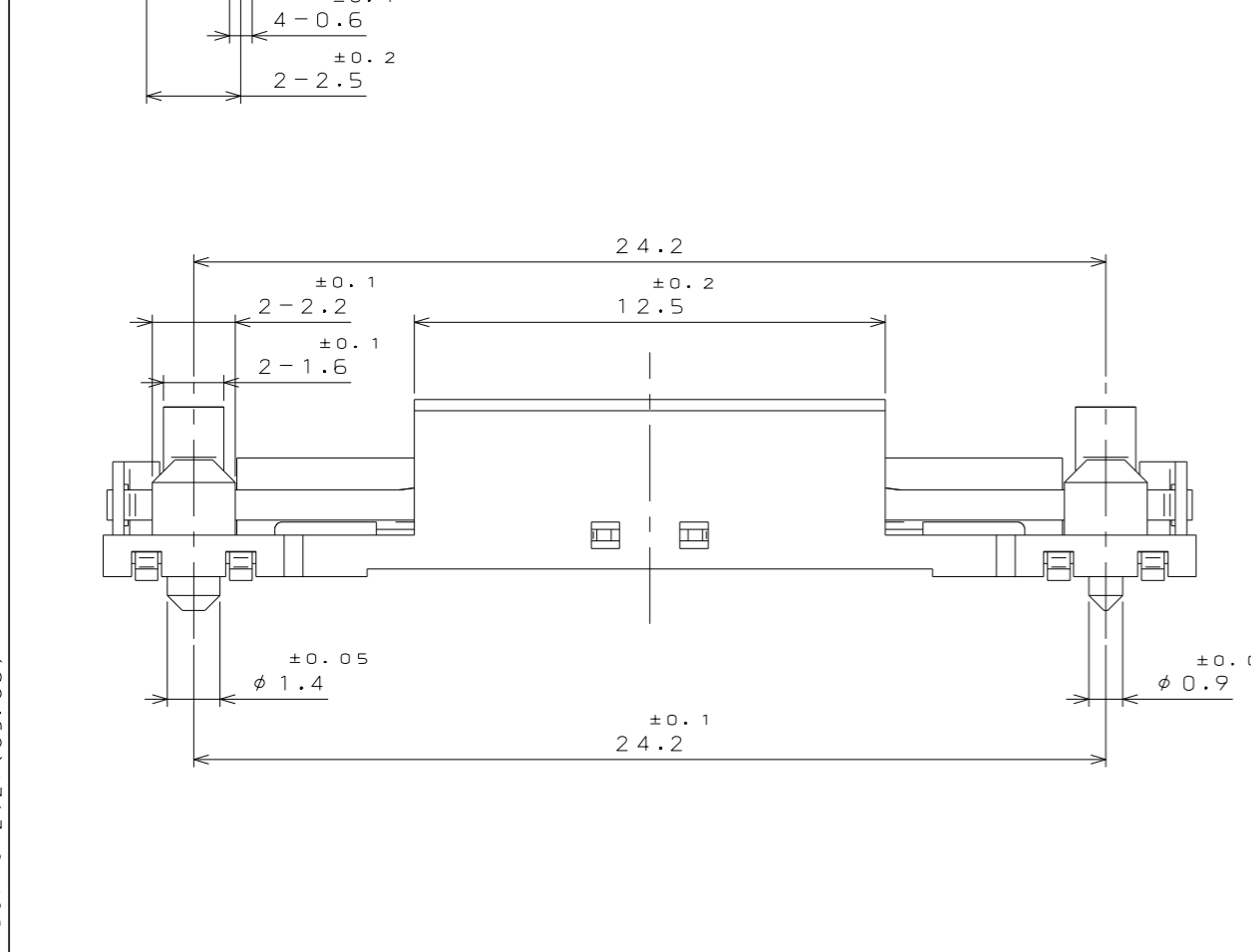
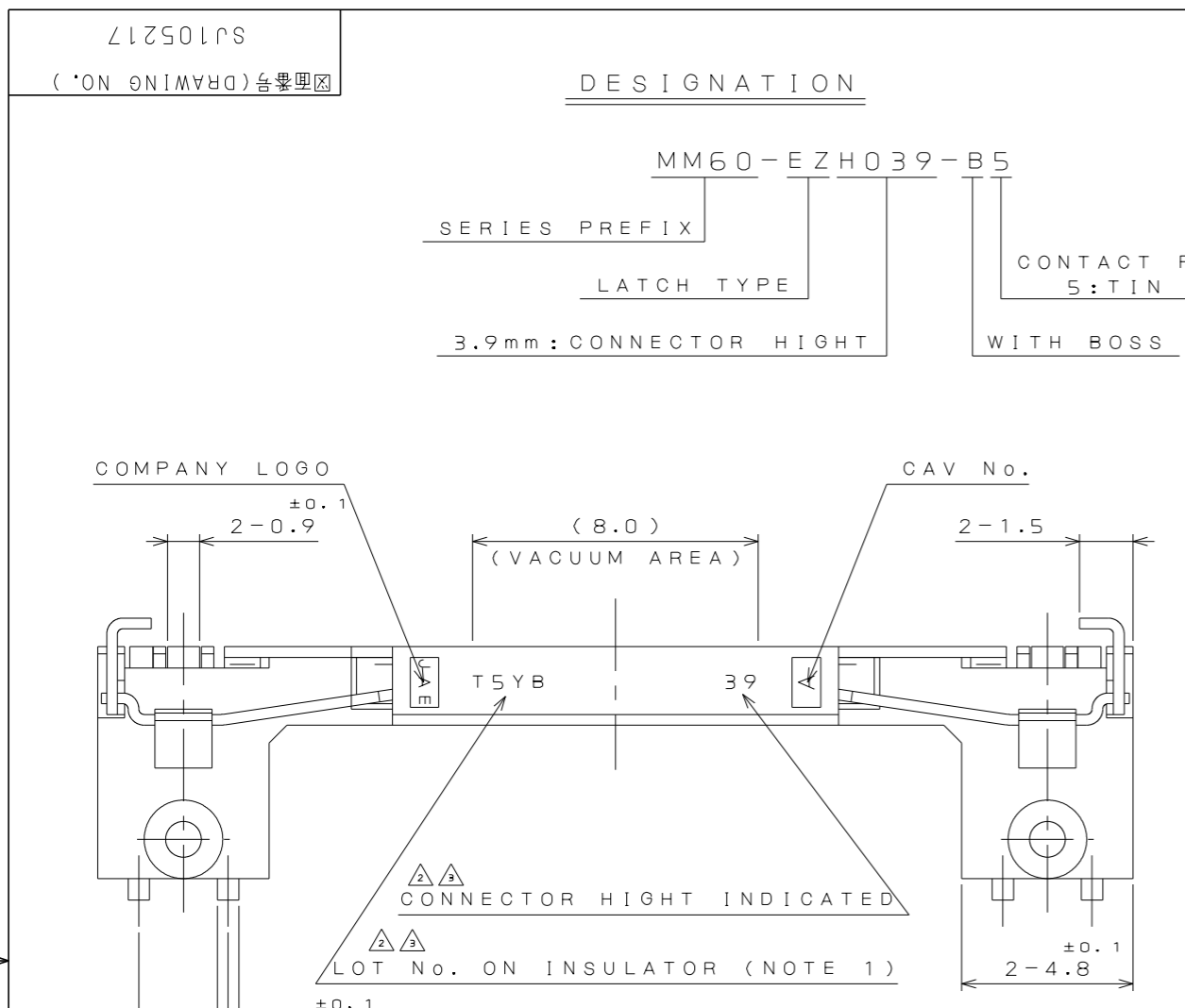
## Contact us

Tel: +86-755-8981 8866 Fax: +86-755-8427 6832

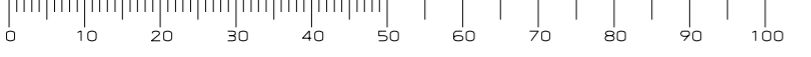
Email & Skype: info@chipsmall.com Web: www.chipsmall.com

Address: A1208, Overseas Decoration Building, #122 Zhenhua RD., Futian, Shenzhen, China

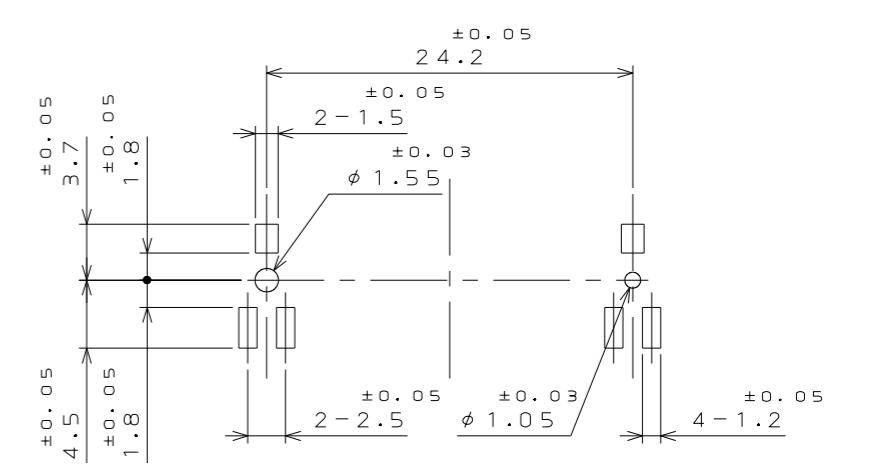
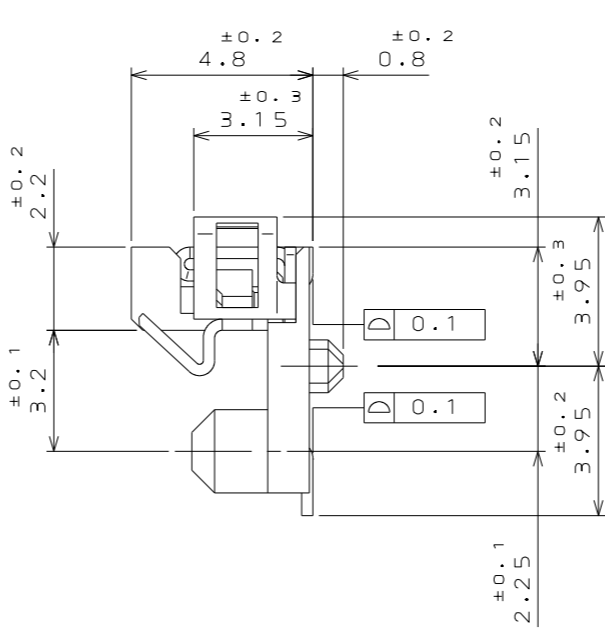




DCF-C-212F(05.08)



版数 REV.	年月日 DATE	DCN NO.	変更内容 DESCRIPTION	製図 DR.	担当 CHK.	査閲 APPD.	承認 APPD.
2	23.Jan.2006	059045	CHANGED LOT No. INDICATION METHOD	—	Y.YAHIRO	—	K.HISATOMI
3	4.Nov.2015	013541	CHANGE OF LOCATION OF A LOT NUMBER.	—	S.YAMAGUCHI	M.SASAKI	T.MASUMOTO



APPLICABLE P.C.B. DIMENSION (REF.)  
適合基板寸法(参考)

NOTE 1. PRODUCTION LOT No. AS INDICATED.  
(Ex.) T5YB  
LOT NUMBER OF CURRENT MONTH  
MONTH (1 TO 9 FOR JAN. TO SEPT. RESPECTIVELY.  
OCT.:0, NOV.:X, DEC.:Y )  
YEAR (LAST DIGIT ONLY)  
MANUFACTURE CODE

NOTE 2. REFER THE DRAWING SJ105215(MM60-52B1-B\*) FOR CONNECTOR DIMENSIONS.

符号 NO.	名称 DESCRIPTION	個数 QTY.	材料 MATERIAL	仕上 FINISH	備考 REMARKS
2	INSULATOR	1	THERMOPLASTIC	—	UL94 V-0
1	CONTACT	1	STAINLESS	TIN PLATING	—
仕様書 (SPECIFICATION)		第1版 (ORIGINAL DATE)		尺度 (SCALE)	シリーズ (SERIES)
JACS-10313		5.Dec.2005		5:1	MM60
一般公差 (GENERAL TOLERANCE)		製図 DR.		名称 (TITLE)	
寸法 (DIMENSION)		担当 CHK.		MM60	
角度 (ANGLES)		査閲 APPD.		-EZH039-B5	
. ±0.8	×° ±	承認 APPD.		質量 (MASS)	
.x ±0.4	×°x ±	K.HISATOMI		—	
.xx ±0.1				—	
.xxx ±				—	
図面番号 (DRAWING NO.)					版数 (REV.)
SJ105217					3

JAE CONNECTOR DIV. PROPRIETARY.  
COPYRIGHT (C) 2005. JAPAN AVIATION ELECTRONICS INDUSTRY, LTD.

WISDOM承認 2015/11/05