



Chipsmall Limited consists of a professional team with an average of over 10 year of expertise in the distribution of electronic components. Based in Hongkong, we have already established firm and mutual-benefit business relationships with customers from,Europe,America and south Asia,supplying obsolete and hard-to-find components to meet their specific needs.

With the principle of “Quality Parts,Customers Priority,Honest Operation,and Considerate Service”,our business mainly focus on the distribution of electronic components. Line cards we deal with include Microchip,ALPS,ROHM,Xilinx,Pulse,ON,Everlight and Freescale. Main products comprise IC,Modules,Potentiometer,IC Socket,Relay,Connector.Our parts cover such applications as commercial,industrial, and automotives areas.

We are looking forward to setting up business relationship with you and hope to provide you with the best service and solution. Let us make a better world for our industry!



Contact us

Tel: +86-755-8981 8866 Fax: +86-755-8427 6832

Email & Skype: info@chipsmall.com Web: www.chipsmall.com

Address: A1208, Overseas Decoration Building, #122 Zhenhua RD., Futian, Shenzhen, China



1Z2501PS

(ON THIRDMAN) 台機理図

DESIGNATION

MM60-EZH059-B5

SERIES PREFIX

LATCH TYPE

5.9mm: CONNECTOR HEIGHT

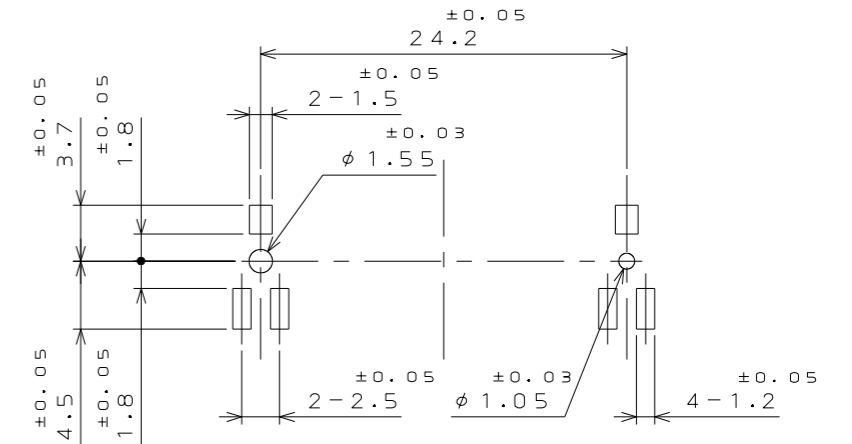
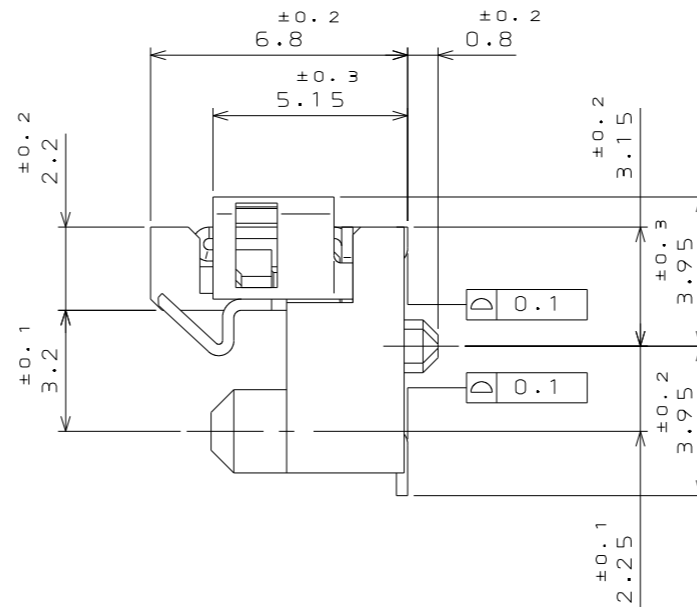
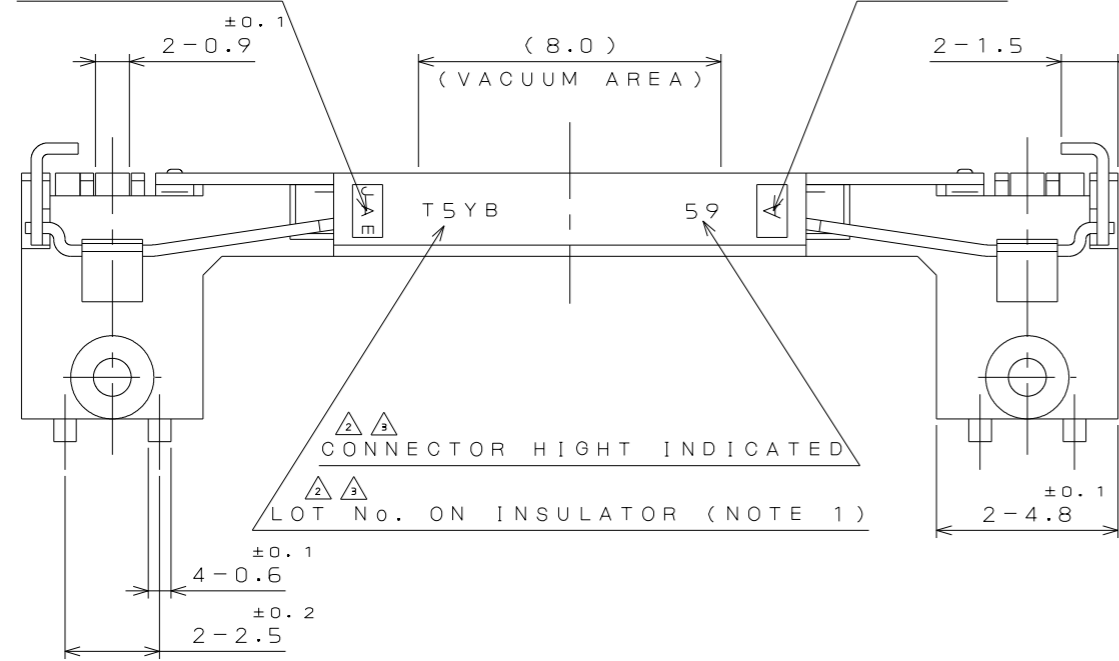
CONTACT FINISH
5:TIN PLATING

WITH BOSS

版数 REV.	年月日 DATE	DCN NO.	変更内容 DESCRIPTION	製図 DR.	担当 CHK.	査閲 APPD.	承認 APPD.
2	23.Jan.2006	059045	CHANGED LOT No. INDICATION METHOD	---	Y.YAHIRO	---	K.HISATOMI
3	4.Nov.2015	013541	CHANGE OF LOCATION OF A LOT NUMBER.	---	S.YAMAGUCHI	M.SASAKI	T.MASUMOTO

COMPANY LOGO

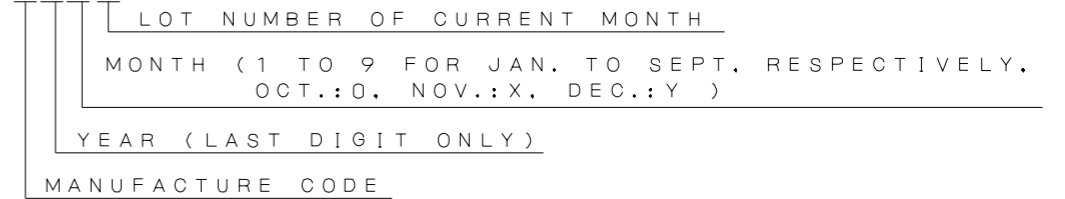
CAV No.



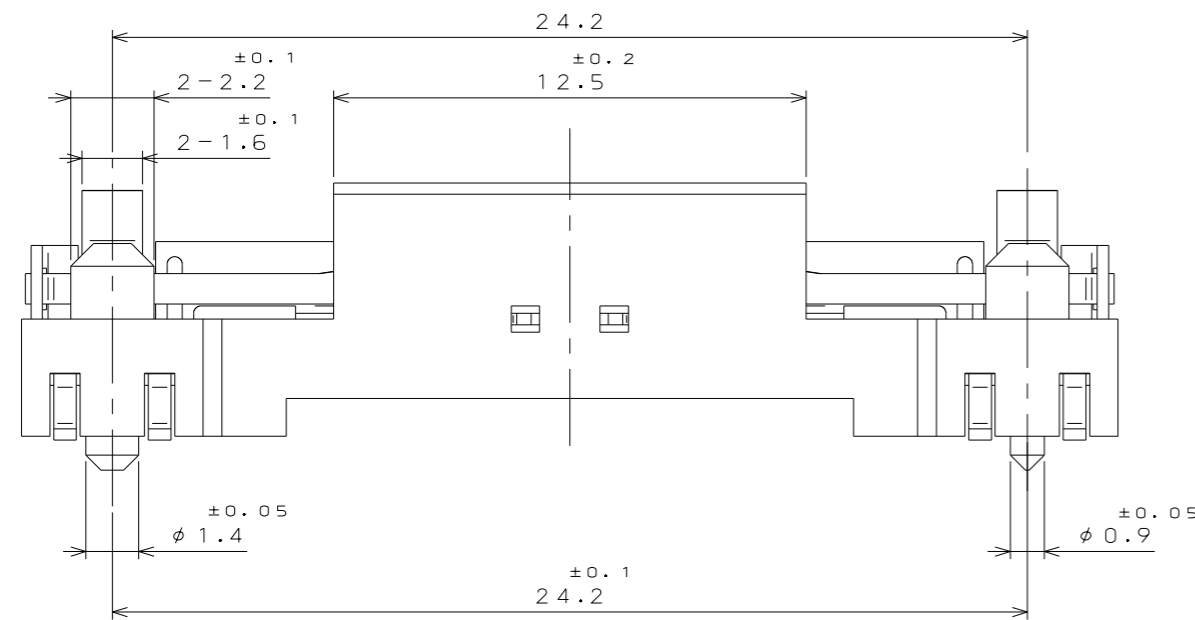
APPLICABLE P.C.B. DIMENSION (REF.)
適合基板寸法(参考)

NOTE 1. PRODUCTION LOT No. AS INDICATED.

(Ex.) T5YB



NOTE 2. REFER THE DRAWING SJ105219 (MM60-52B1-E*) FOR CONNECTOR DIMENSIONS.



2	INSULATOR	1	THERMOPLASTIC	UL94 V-0
1	CONTACT	1	STAINLESS	TIN PLATING
符号 NO.	名称 DESCRIPTION	個数 QTY.	材料 MATERIAL	仕上 FINISH
仕様書 (SPECIFICATION)	JACS-10313	第1版 (ORIGINAL DATE) 5.Dec.2005	尺度 (SCALE) 5:1	シリーズ (SERIES) MM60
一般公差 (GENERAL TOLERANCE)		製図 DR.	名称 (TITLE) MM60 -EZH059-B5	
寸法 (DIMENSION)	角度 (ANGLES)	担当 CHK. 査閲 APPD.	Y.YAHIRO	 日本航空電子工業株式会社 JAPAN AVIATION ELECTRONICS INDUSTRY, LTD.
. ±0.8	X° ±	承認 APPD.	K.HISATOMI	
.X ±0.4	X°X' ±			
.XX ±0.1				図面番号 (DRAWING NO.) SJ105221
.XXX ±				質量 (MASS)