



Chipsmall Limited consists of a professional team with an average of over 10 year of expertise in the distribution of electronic components. Based in Hongkong, we have already established firm and mutual-benefit business relationships with customers from,Europe,America and south Asia,supplying obsolete and hard-to-find components to meet their specific needs.

With the principle of “Quality Parts,Customers Priority,Honest Operation,and Considerate Service”,our business mainly focus on the distribution of electronic components. Line cards we deal with include Microchip,ALPS,ROHM,Xilinx,Pulse,ON,Everlight and Freescale. Main products comprise IC,Modules,Potentiometer,IC Socket,Relay,Connector.Our parts cover such applications as commercial,industrial, and automotives areas.

We are looking forward to setting up business relationship with you and hope to provide you with the best service and solution. Let us make a better world for our industry!



Contact us

Tel: +86-755-8981 8866 Fax: +86-755-8427 6832

Email & Skype: info@chipsmall.com Web: www.chipsmall.com

Address: A1208, Overseas Decoration Building, #122 Zhenhua RD., Futian, Shenzhen, China

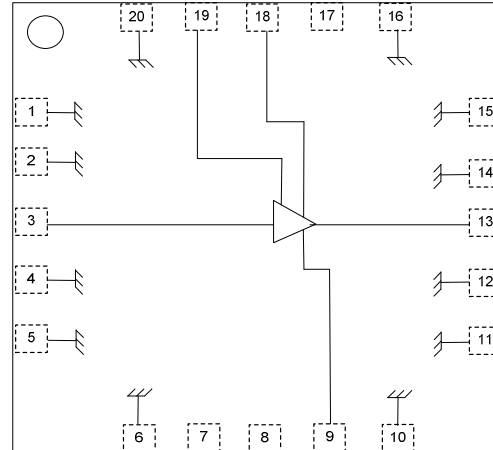


Features:

- Frequency Range: 30KHz – 40 GHz
- P1dB: +22 dBm
- Vout: 7V p-p @50Ω
- Gain: 13.5 dB
- Vdd = 7 V
- Ids = 200 mA
- Input and Output Fully Matched to 50 Ω
- In 4x4mm QFN package

Applications:

- Fiber optics communication systems
- Microwave and wireless communication systems
- Microwave and optical instrumentations



Functional block diagram

Description:

The MMA-005022 is a broadband GaAs MMIC Traveling Wave Amplifier (TWA) with medium output power and high gain over full 30KHz to 50GHz frequency range. This amplifier is optimally designed for broadband applications requiring flat gain and group delay with excellent input and output matches over a 30KHz to 50GHz frequency range.

Absolute Maximum Ratings: (Ta= 25 °C)*

| SYMBOL | PARAMETERS | UNITS | Min. | Max. |
|---------|---------------------------------|-------|------|-------------|
| Vds | Drain-Source Voltage | V | | 10 |
| Vg1 | First Gate-Source Voltage | V | -8 | 0 |
| Ig1 | First Gate Current | mA | -38 | 1 |
| Vg2 | Second Gate-Source Voltage | V | -3.5 | 4 |
| Ig2 | Second Gate-Source Current | mA | -20 | |
| Ids | Drain Current | mA | | 340 |
| Pin max | RF Input Power | dBm | | 17 |
| Tch | Channel Temperature | °C | | +150 |
| Tstg | Storage Temperature | °C | | -55 to +165 |
| Tmax | Max. Assembly Temp (60 sec max) | °C | | +300 |

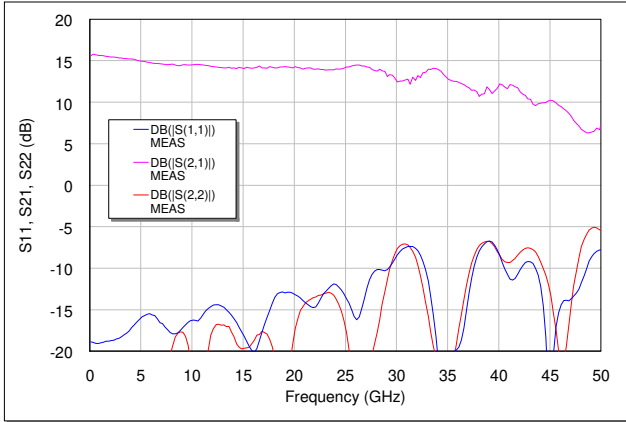
*Operation of this device above any one of these parameters may cause permanent damage.

Electrical Specifications: *V_{ds}=7V, V_{g1}=-2.7V, V_{g2}=open, I_{ds}=200mA, T_a=25 °C Z₀=50 ohm*

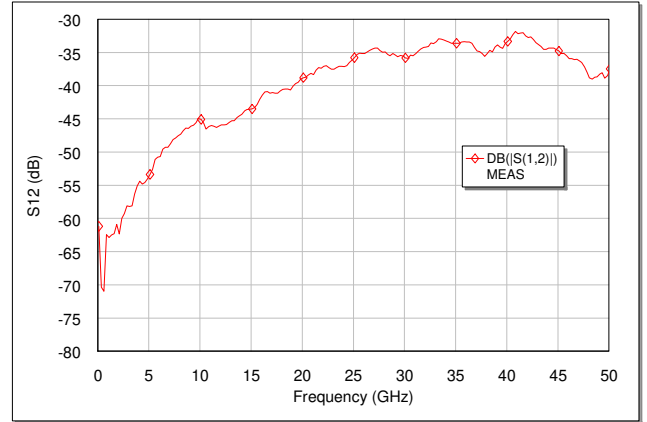
| Parameter | Units | Min. | Typ. | Max. |
|--|-------|------|------|--------|
| Frequency Range | MHz | 0.03 | | 40,000 |
| Gain (Typ / Min) | dB | 12 | 13.5 | |
| Gain Flatness (Typ / Max) | +/-dB | | 2.0 | 2.5 |
| Input RL(Typ/Max) | dB | 8 | 10 | |
| Output RL(Typ/Max) | dB | 8 | 10 | |
| Output P1dB(Typ/Min) | dBm | 19 | 22 | |
| Output IP3 ⁽¹⁾ | dBm | | 30 | |
| Output P3dB(Typ/Min) | dBm | 22 | 25 | |
| Operating Current at P1dB (Typ/Max) | mA | | 210 | 230 |
| Thermal Resistance | °C /W | | 16 | |

(1) Output IP3 is measured with two tones at output power of 10 dBm/tone separated by 20 MHz.

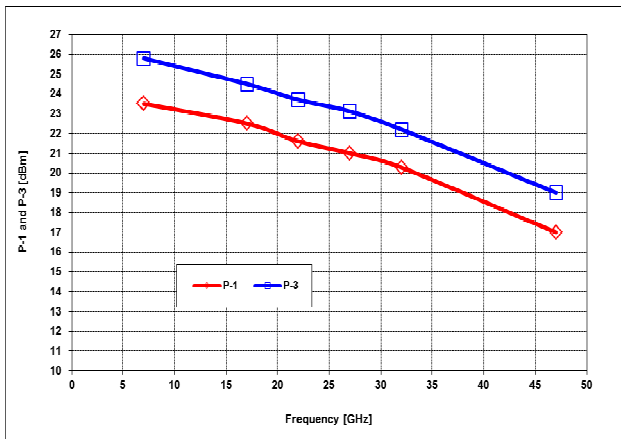
Typical RF Performance: $V_{ds}=7V$, $V_{g1}=-2.7V$, $V_{g2}=open$, $I_{ds}=200mA$, $Z_0=50\ ohm$, $T_a=25\ ^\circ C$



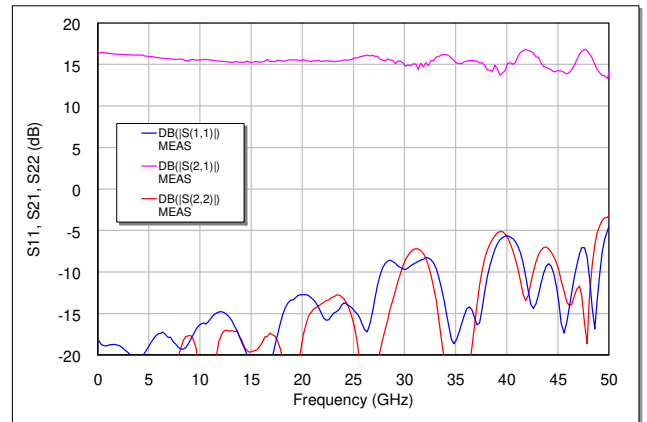
S11, S21, and S22 vs. Frequency



S12(dB) vs. Frequency



P-1 and P-3 vs. Frequency



S11, S21, and S22 vs. Frequency

@ $V_{ds}=5V$, $I_{ds}=220mA$

Applications

The MMA-005022-R4 traveling wave amplifier is designed for use as a general purpose wideband power stage in microwave and optical communication systems, and test fiber optic/microwave test equipments. It is ideally suited for broadband applications requiring a flat gain response and excellent port matches over a 30KHz to 50 GHz frequency range. Dynamic gain control and low-frequency extension capabilities are designed into these devices.

Biasing and Operation

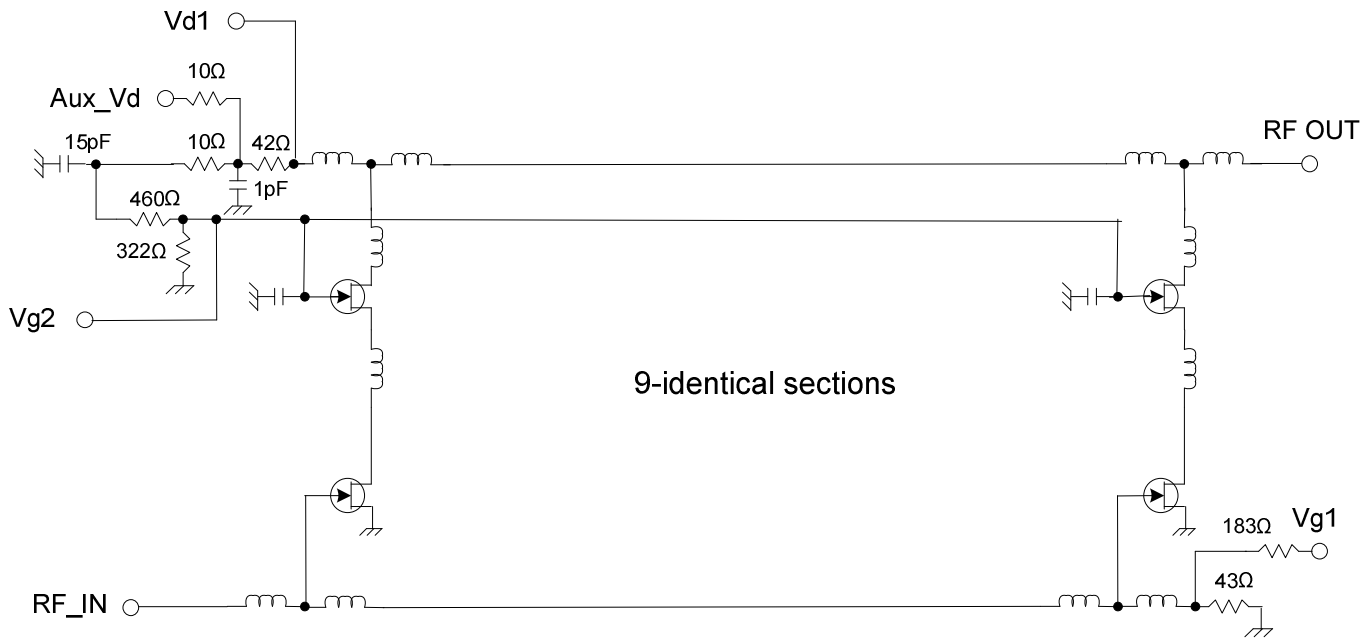
The recommended bias conditions for best performance for the MMA-005022-R4 are $V_{DD} = 7.0V$, $I_{DD} = 200mA$. To achieve these drain current levels, V_{G1} is typically biased between $-2.7V$ with approximately $10mA$. No other bias supplies or connections to the device are required for 30KHz to 50 GHz operation. Performance improvements are possible depending on applications. For high gain requirement at higher frequency, recommended bias conditions are $V_{dd}=5V$, $I_{dsq}=220mA$. The drain bias voltage range is 3 to 7V and the quiescent drain current biasing range is $120mA$ to $250mA$. The gate voltage (V_{G1}) should be applied prior to the drain voltage (V_{dd}) during power up and removed after the drain voltage during power down. The MMA-005022-R4 is a DC coupled amplifier. External coupling capacitors are needed on RFIN and RFOUT ports. The drain bias pad is connected to RF and must be decoupled to the lowest operating frequency. An auxiliary drain contacts is provided when performance below 1 GHz is required. Connect external capacitors to ground to maintain input and output VSWR at low frequencies (see additional application note). Do not apply bias to these pads. The second gate (V_{G2}) can be used to obtain 30 dB (typical) dynamic gain control. For normal operation, no external bias is required on this contact.

Assembly Techniques

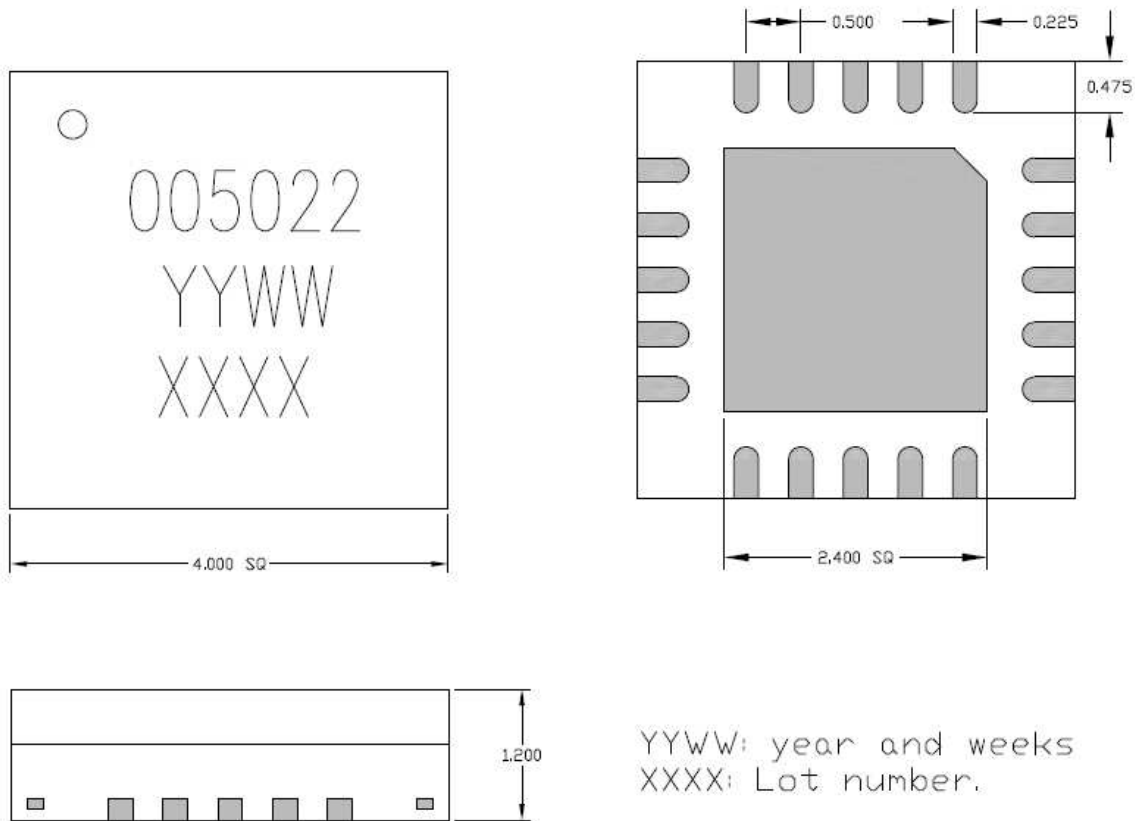
GaAs MMICs are ESD sensitive. ESD preventive measures must be employed in all aspects of storage, handling, and assembly. MMIC ESD precautions, handling considerations, die attach and bonding methods are critical factors in successful GaAs MMIC performance and reliability.

Additional References:

MMA-005022B Application note v.1.0



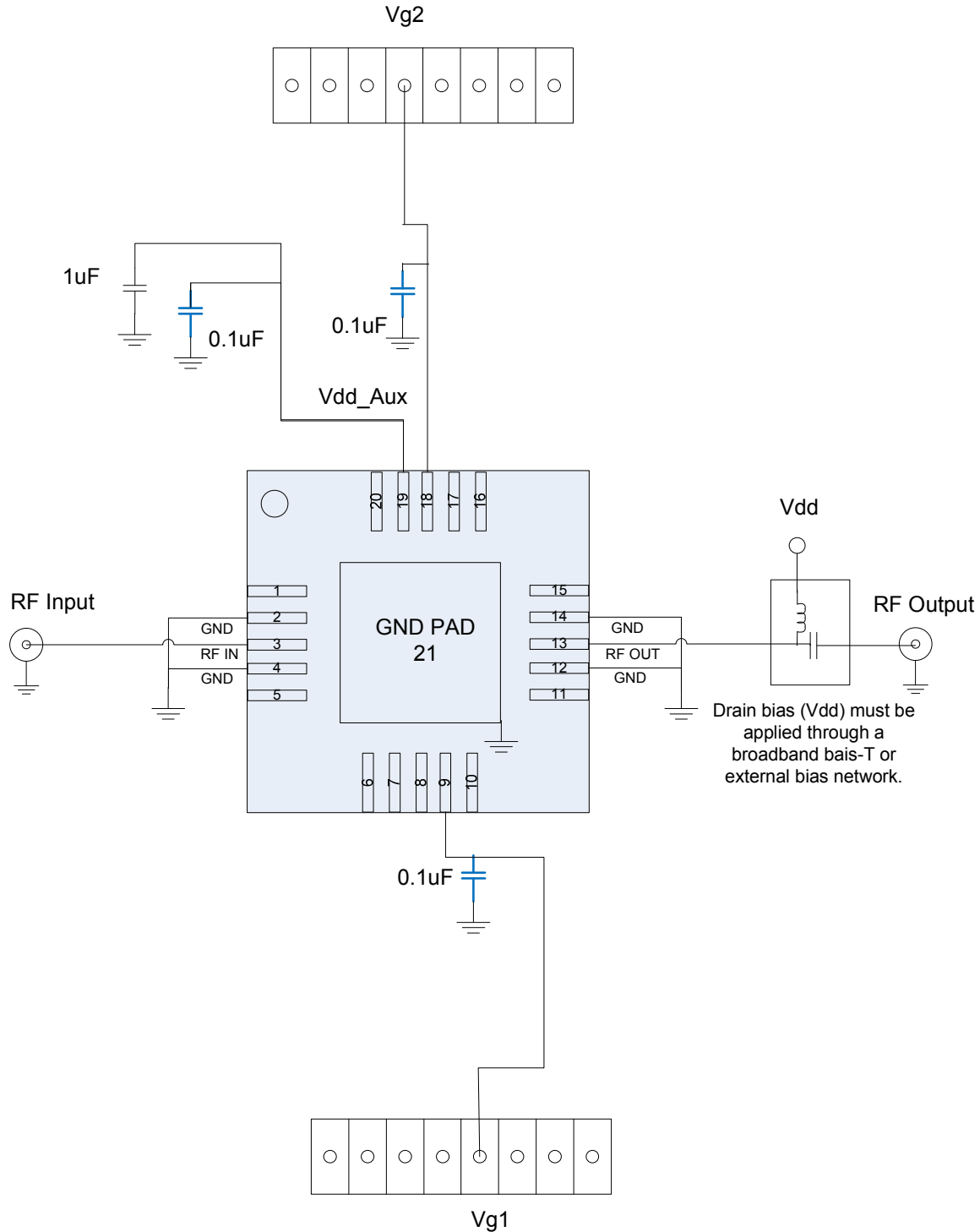
Package Mechanical information and Pin-out:



| Pin | Description |
|--|-------------|
| 3 | RF Input |
| 13 | RF Output |
| 9 | Vg1 |
| 18 | Vg2 |
| 19 | Vdd_Aux |
| 1, 2, 4, 5, 6, 10, 11, 12, 14, 15, 16, 20, 21 | Ground |
| 7, 8, 17 | N/C |

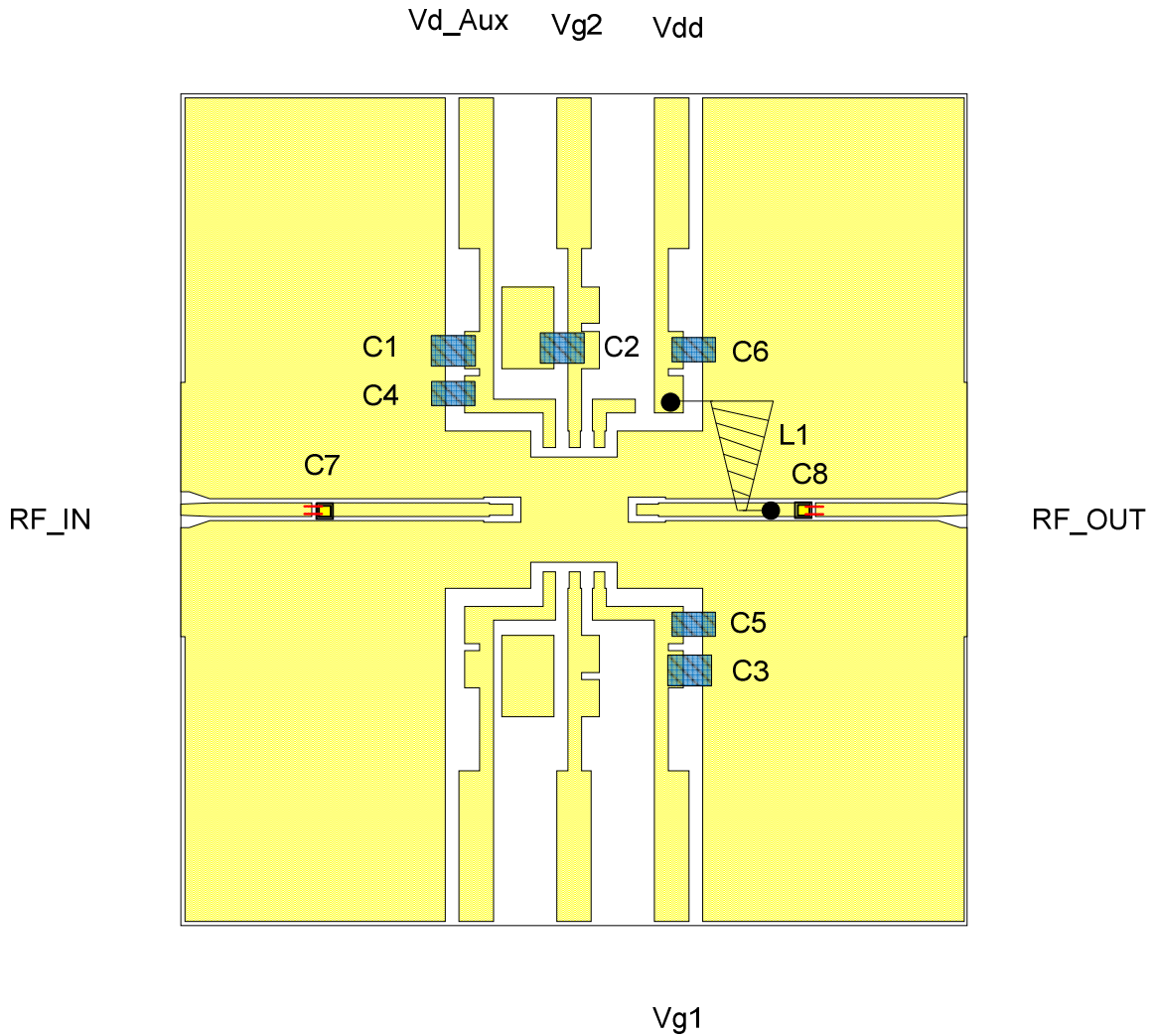
The units are in [mm].

Application Circuit:



Recommended Application Board Design:

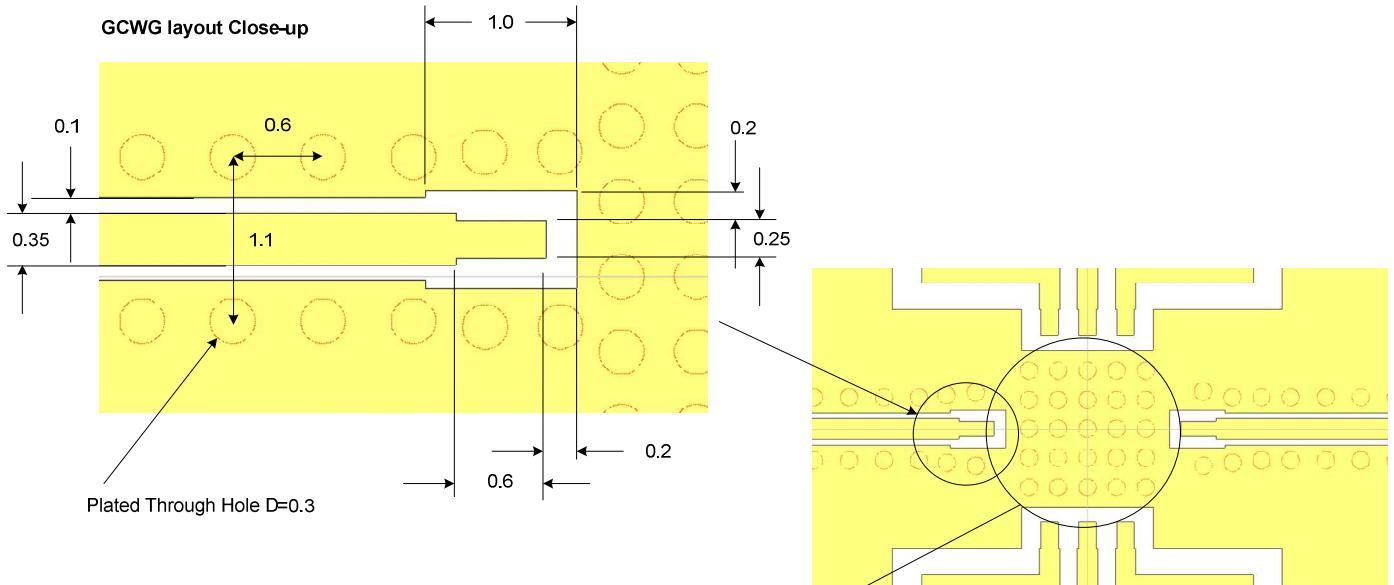
Board Material is 10mil (Dielectric) thickness Rogers 4350B with 0.5oz copper clads.
Board is soldered on a gold plated solid copper block and adequate heat-sinking is required for 3.4W total maximum power dissipation.



| Part | Value | Description |
|----------------|-------|--------------------------------|
| C1, C3 | 1uF | 0603 |
| C2, C4, C5, C6 | 0.1uF | 0402 |
| C7, C8 | 100pF | Presidio LSB1515B101M2H5R-B |
| L1 | 1uH | GOWANDA C100FL3944G6 |

Recommended Application Board Design:

Board Material is 10mil (Dielectric) thickness Rogers 4350B with 0.5oz copper clads. The board material and mounting pattern, as defined in the data sheet, optimizes RF performance and is strongly recommended. An electronic drawing of the land pattern is available upon request from MwT Sales & Application Engineering.



Underneath of the package must be
Copper filled plated through holes.
D=0.3mm and Space=0.5mm
Total Via-holes = 5 x 5

All units are in millimeters.

Copper filled thru vias
D=0.3mm, Space=0.5mm
7x7

For best thermal
dissipation, 3mm square
Copper filled PCB is
recommended.

