



Chipsmall Limited consists of a professional team with an average of over 10 year of expertise in the distribution of electronic components. Based in Hongkong, we have already established firm and mutual-benefit business relationships with customers from,Europe,America and south Asia,supplying obsolete and hard-to-find components to meet their specific needs.

With the principle of “Quality Parts,Customers Priority,Honest Operation,and Considerate Service”,our business mainly focus on the distribution of electronic components. Line cards we deal with include Microchip,ALPS,ROHM,Xilinx,Pulse,ON,Everlight and Freescale. Main products comprise IC,Modules,Potentiometer,IC Socket,Relay,Connector.Our parts cover such applications as commercial,industrial, and automotives areas.

We are looking forward to setting up business relationship with you and hope to provide you with the best service and solution. Let us make a better world for our industry!



Contact us

Tel: +86-755-8981 8866 Fax: +86-755-8427 6832

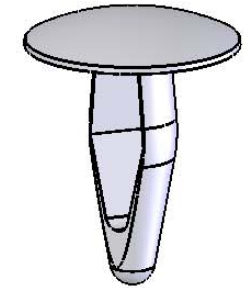
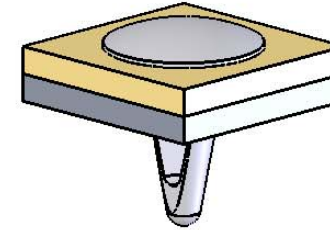
Email & Skype: info@chipsmall.com Web: www.chipsmall.com

Address: A1208, Overseas Decoration Building, #122 Zhenhua RD., Futian, Shenzhen, China



PARTNUMBER	'T' DIM	MO UNTING HO LE DIA.	'C' DIM	'D' DIM	'E' DIM	FIG No.
MMB-125-XX	2.0-2.5 (0.080-0.100)	3.10-3.22 (0.123-0.127)	1.0 (0.040)	6.9 (0.270)	8.4 (0.330)	1
MMB-136-XX	2.9-4.0 (0.120-0.160)	3.32-3.58 (0.131-0.141)	1.7 (0.070)	10.3 (0.410)	11.1 (0.440)	
MMB-187-XX	2.5-4.0 (0.100-0.160)	4.61-4.88 (0.182-0.192)	2.2 (0.090)	12.7 (0.500)	10.9 (0.430)	
MMB-210-XX	2.5-4.0 (0.100-0.160)	5.0-5.4 (0.197-0.213)	3.0 (0.118)	14 (0.551)	14 (0.551)	2
MMB-250-XX	2.5-5.6 (0.100-0.220)	6.27-6.42 (0.247-0.253)	2.2 (0.090)	12.7 (0.500)	16.3 (0.640)	1

REV.	MODIFICATI ON.	DATE	DRN
01	NEW DWG, EC N 05-049	13/04/05	NJB
02	EC N05-038	21/07/05	OW
03	EC R05-095	31/08/05	OW



ISO METRIC VIEWS

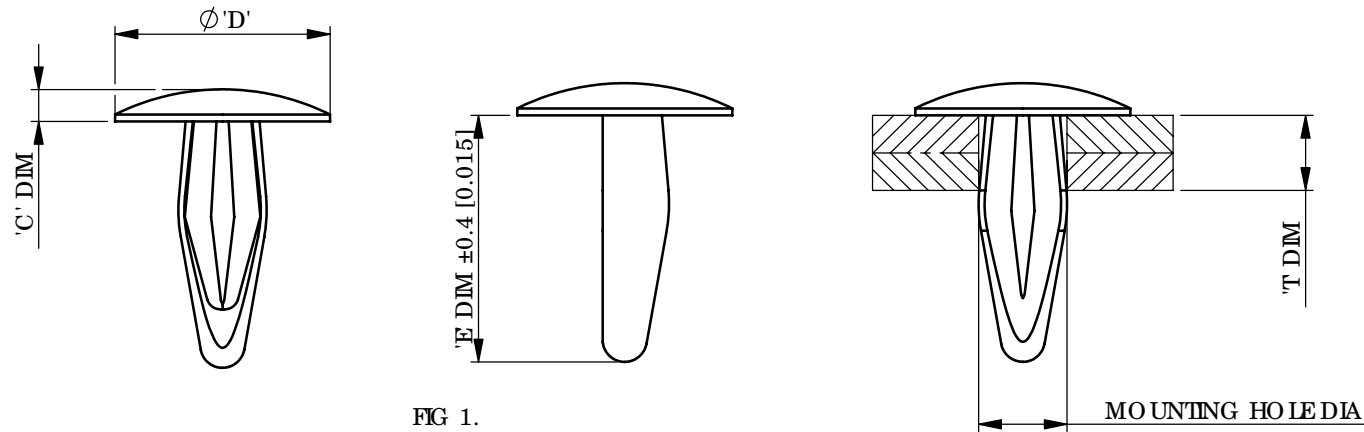


FIG 1.

NOTES

- 1a) METRIC PRIMARY UNITS: mm
- 1b) IMPERIAL SECONDARY UNITS: [inches]
- 2) FLAME RETARDANT NYLON (RMS-19), & ACETAL (RMS-14) AVAILABLE BY SPECIAL ORDER.

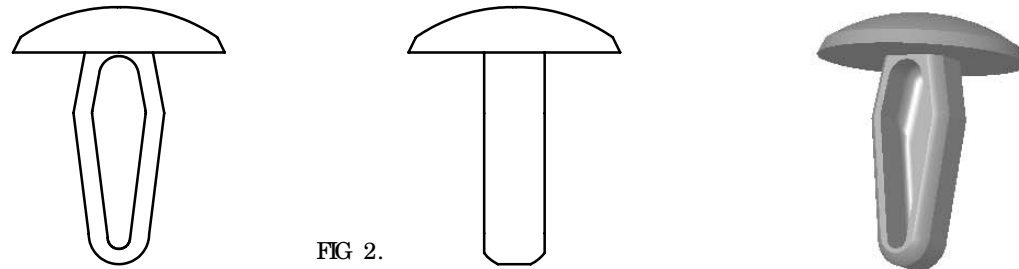


FIG 2.

INFORMATION CONTAINED IN THIS DOCUMENT IS CONFIDENTIAL TO RICHCO INTERNATIONAL Co. Ltd. AND MAY NOT BE DISCLOSED OR REPRODUCED IN WHOLE OR PART WITHOUT THEIR WRITTEN CONSENT.



GENERAL TOLERANCES ±0.25 [0.010]
UNLESS OTHERWISE STATED
1 DECIMAL PLACE ±
2 DECIMAL PLACES ±
ANGULAR ±1°



MMB-XXX-14	ACETAL (RMS-14)	NATURAL
MMB-XXX-19	NYLON 6/6 FR (RMS-19)	NATURAL OR BLACK
MMB-XXX-01	NYLON 6/6 (RMS-01)	NATURAL OR BLACK
PARTNUMBER	MATERIAL	COLOUR

MATERIAL: SEE TABLE		COLOUR: SEE TABLE	
DESCRIPTION: MINI MOUNTING BUTTON		PART No: MMB-XXX-YY	
DRG No: 05-043	NPR No: 2003-321	SHEET SIZE A4	
DRN NJB	DATE 13/04/05	CHKD OW	DATE 13/04/05
SCALE NTS	SHEET No. 1 OF 1		