



Chipsmall Limited consists of a professional team with an average of over 10 year of expertise in the distribution of electronic components. Based in Hongkong, we have already established firm and mutual-benefit business relationships with customers from,Europe,America and south Asia,supplying obsolete and hard-to-find components to meet their specific needs.

With the principle of “Quality Parts,Customers Priority,Honest Operation,and Considerate Service”,our business mainly focus on the distribution of electronic components. Line cards we deal with include Microchip,ALPS,ROHM,Xilinx,Pulse,ON,Everlight and Freescale. Main products comprise IC,Modules,Potentiometer,IC Socket,Relay,Connector.Our parts cover such applications as commercial,industrial, and automotives areas.

We are looking forward to setting up business relationship with you and hope to provide you with the best service and solution. Let us make a better world for our industry!



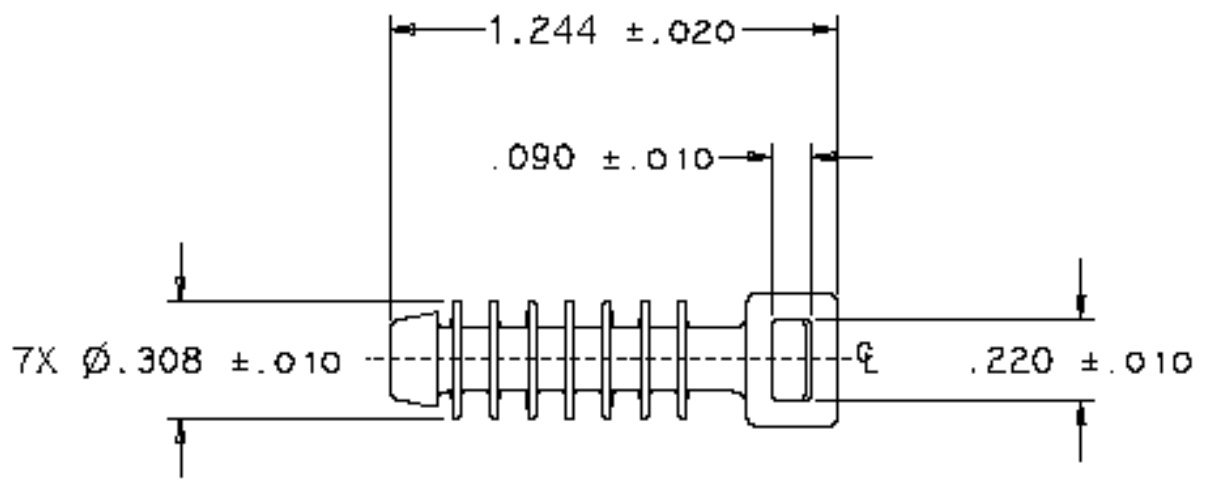
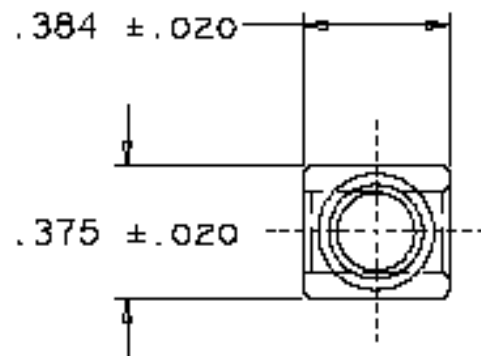
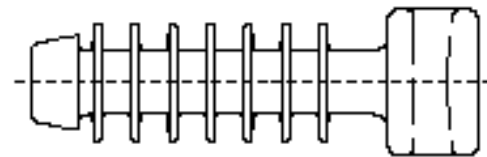
Contact us


Tel: +86-755-8981 8866 Fax: +86-755-8427 6832

Email & Skype: info@chipsmall.com Web: www.chipsmall.com

Address: A1208, Overseas Decoration Building, #122 Zhenhua RD., Futian, Shenzhen, China






- NOTES:
- 1) USE WITH T18 THRU T50 CABLE TIES 
 - 2) MOUNTING HOLE Ø.250
 - 3) MOUNTING HOLE MINIMUM DEPTH 1.000

INVENTORS

HellermannTyton
 ALL PROPRIETARY RIGHTS IN THE SUBJECT MATTER SHOWN ON THIS DRAWING ARE EXCLUSIVE PROPERTY OF TYTONHELLERMANN

name	date	city, state

REVISION


level	
by	SSL
date	4/10/98
ECN #	000598
part level	A

DIMENSIONS

tolerances:
 .XXXX = ±.0000
 .XXX = ±.005
 .XX = ±.01
 .X = ±.03
 ∠ = ±0.5°
 unless otherwise specified

units: inches

PART

number	MMB.5	phase	PRODUCTION
name MMB.5 MASONRY MOUNT			
material NYLON 6/6 HIGH IMPACT BLACK 			

DRAWING

REV	DATE	BY	CHKD	PD	BOOK
1	5/18/93	KAC			2K
part number		drawing number		sheet	
MT2004002CST		MT-CST-2004002D		1 of 1	
type				customer	
number				sheet	
MT2004002CST				1 of 1	