



Chipsmall Limited consists of a professional team with an average of over 10 year of expertise in the distribution of electronic components. Based in Hongkong, we have already established firm and mutual-benefit business relationships with customers from,Europe,America and south Asia,supplying obsolete and hard-to-find components to meet their specific needs.

With the principle of “Quality Parts,Customers Priority,Honest Operation,and Considerate Service”,our business mainly focus on the distribution of electronic components. Line cards we deal with include Microchip,ALPS,ROHM,Xilinx,Pulse,ON,Everlight and Freescale. Main products comprise IC,Modules,Potentiometer,IC Socket,Relay,Connector.Our parts cover such applications as commercial,industrial, and automotives areas.

We are looking forward to setting up business relationship with you and hope to provide you with the best service and solution. Let us make a better world for our industry!



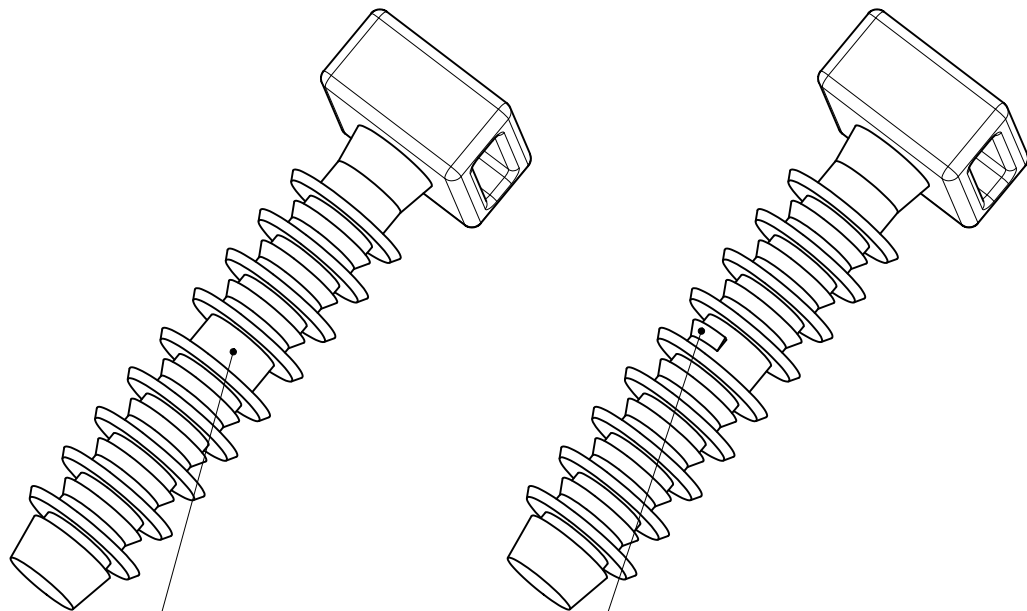
## Contact us

Tel: +86-755-8981 8866 Fax: +86-755-8427 6832

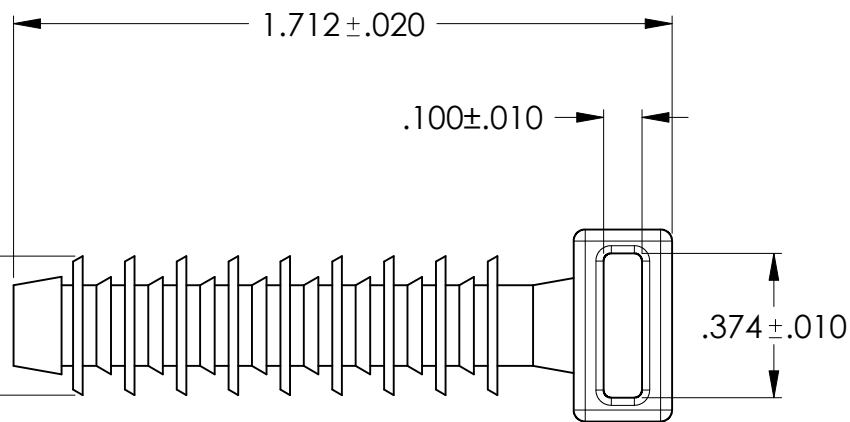
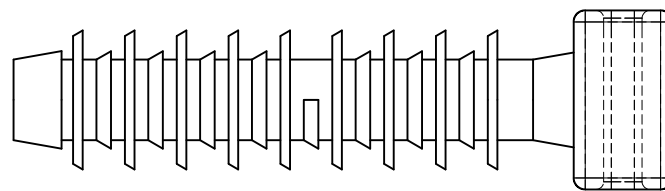
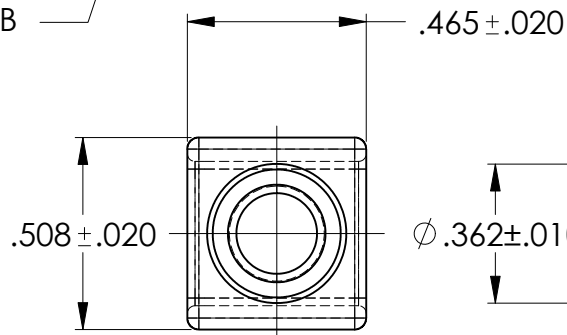
Email & Skype: info@chipsmall.com Web: www.chipsmall.com

Address: A1208, Overseas Decoration Building, #122 Zhenhua RD., Futian, Shenzhen, China





PRODUCT PROVIDED WITH AND WITHOUT PARTIAL CENTER RIB



NOTES:

- 1) USE WITH T18 THRU T150 CABLE TIES
- 2) MOUNTING HOLE  $\phi$ .312
- 3) MOUNTING HOLE MINIMUM DEPTH 1.500

INVENTORS

**HellemannTyton.**

ALL PROPRIETARY RIGHTS IN THE SUBJECT MATTER SHOWN ON THIS DRAWING ARE EXCLUSIVE PROPERTY OF HELLEMMANN TYTON

name	date	city, state

REVISION

level	<b>02</b>
by	KAC
date	11/21/03
ECN #	004204
part level	-

DIMENSIONS

TOLERANCES	.xxxx = ±.0005
	.xxx = ±.005
	.xx = ±.01
	.x = ±.03
	∠ = ±0.5°
	unless otherwise specified
units	inches

PART

number	MMB1	phase	PRODUCTION
name			
MMB1 MASONRY MOUNT			
material			
NYLON 6/6 HIGH IMPACT BLACK			

DRAWING

format	version N	AH	CAD	SW	scale	2:1
computer file number		previous number				
MT2004001CST_02						
drawn	K.A.C.	checked		approved		
	5/17/93					
type		CUSTOMER		sheet 1 of 1		
number		<b>MT2004001CST</b>				