



Chipsmall Limited consists of a professional team with an average of over 10 year of expertise in the distribution of electronic components. Based in Hongkong, we have already established firm and mutual-benefit business relationships with customers from,Europe,America and south Asia,supplying obsolete and hard-to-find components to meet their specific needs.

With the principle of "Quality Parts,Customers Priority,Honest Operation,and Considerate Service",our business mainly focus on the distribution of electronic components. Line cards we deal with include Microchip,ALPS,ROHM,Xilinx,Pulse,ON,Everlight and Freescale. Main products comprise IC,Modules,Potentiometer,IC Socket,Relay,Connector.Our parts cover such applications as commercial,industrial, and automotives areas.

We are looking forward to setting up business relationship with you and hope to provide you with the best service and solution. Let us make a better world for our industry!



## Contact us

Tel: +86-755-8981 8866 Fax: +86-755-8427 6832

Email & Skype: info@chipsmall.com Web: www.chipsmall.com

Address: A1208, Overseas Decoration Building, #122 Zhenhua RD., Futian, Shenzhen, China





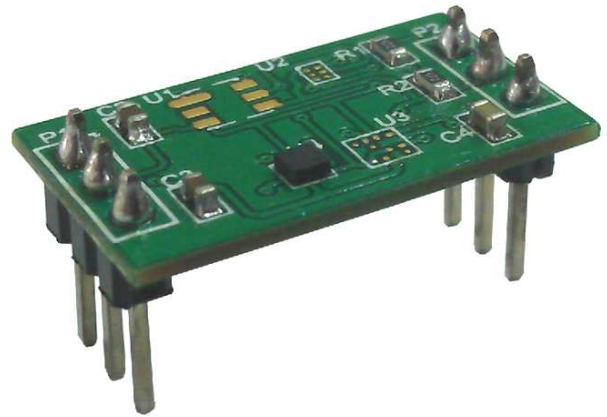
# MMC3416PJ-B Prototyping Board

## MMC3416PJ-B

### GENERAL DESCRIPTION

The MMC3416PJ-B provides a convenient and easy way to evaluate and prototype with the MMC3416PJ three axes magnetic sensor. The magnetic sensor and passive components needed for operations are SMT mounted on the board. Communication, power and ground pins of the MMC3416PJ SMT device are brought out to standard 0.10 inch on center connections on the sides of the prototyping board. Wires can either be soldered directly to the prototyping board or DIP pins can be used with widely available breadboard kits.

For complete performance specifications of the MMC3416PJ refer to the MMC3416PJ datasheet.

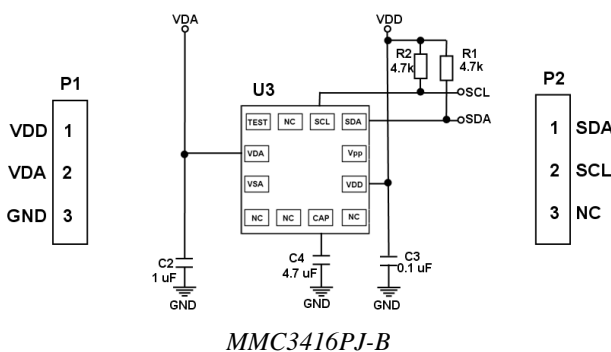


MMC3416PJ-B

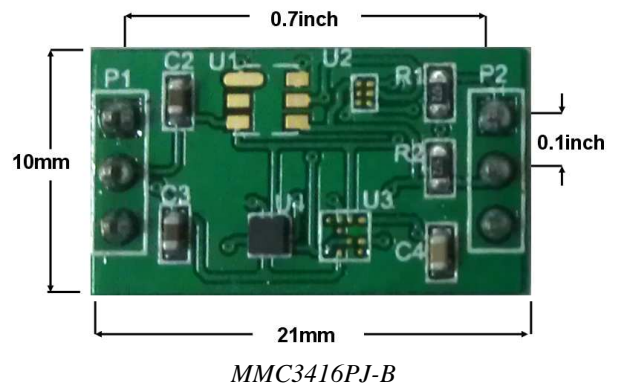
### PIN DESCRIPTION

Pin	Name	Description
P1-1	VDD	I2C Supply Voltage
P1-2	VDA	Power
P1-3	GND	Ground
P2-1	SDA	I2C SDA
P2-2	SCL	I2C SCL
P2-3	NC	No Connect

### SCHEMATIC OF THE MMC3416PJ-B



### PCB OUTLINE AND CONNECTION DIMENSIONS



Information furnished by MEMSIC is believed to be accurate and reliable. However, no responsibility is assumed by MEMSIC for its use, nor for any infringements of patents or other rights of third parties, which may result from its use. No license is granted by implication or otherwise under any patent or patent rights of MEMSIC.

©MEMSIC, Inc.  
 One Technology Drive, Suite 325, Andover, MA, 01810, USA  
 Tel: +1 978 738 0900 Fax: +1 978 738 0196  
 www.memsic.com