



Chipsmall Limited consists of a professional team with an average of over 10 year of expertise in the distribution of electronic components. Based in Hongkong, we have already established firm and mutual-benefit business relationships with customers from,Europe,America and south Asia,supplying obsolete and hard-to-find components to meet their specific needs.

With the principle of “Quality Parts,Customers Priority,Honest Operation,and Considerate Service”,our business mainly focus on the distribution of electronic components. Line cards we deal with include Microchip,ALPS,ROHM,Xilinx,Pulse,ON,Everlight and Freescale. Main products comprise IC,Modules,Potentiometer,IC Socket,Relay,Connector.Our parts cover such applications as commercial,industrial, and automotives areas.

We are looking forward to setting up business relationship with you and hope to provide you with the best service and solution. Let us make a better world for our industry!



## Contact us

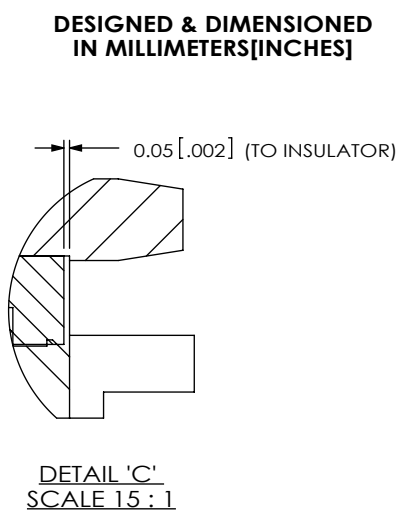
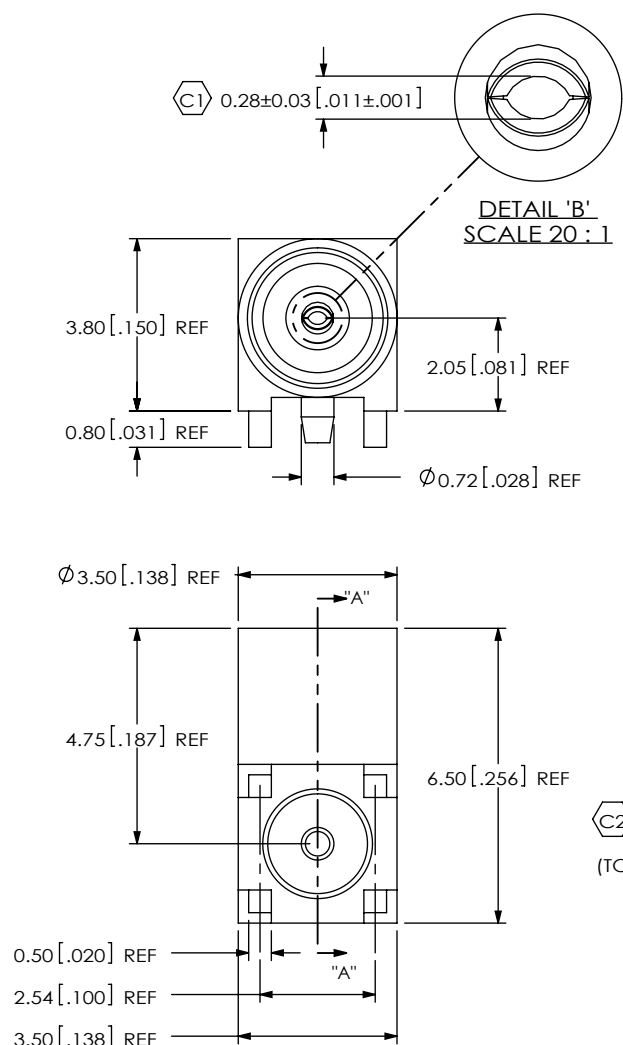
Tel: +86-755-8981 8866 Fax: +86-755-8427 6832

Email & Skype: info@chipsmall.com Web: www.chipsmall.com

Address: A1208, Overseas Decoration Building, #122 Zhenhua RD., Futian, Shenzhen, China



DO NOT SCALE FROM THIS PRINT



**MMCX-J-P-X-RA-SM1**

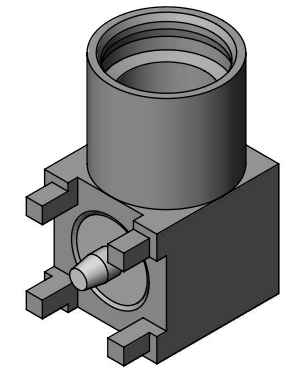
GENDER  
-J: JACK

TYPE  
-P: PCB

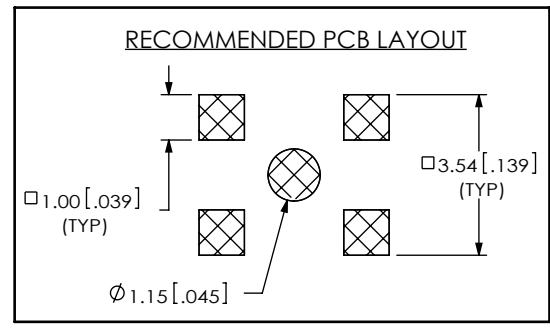
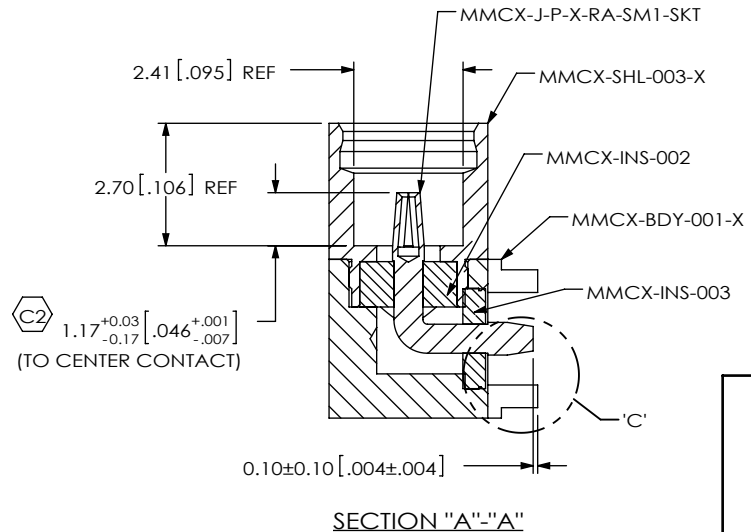
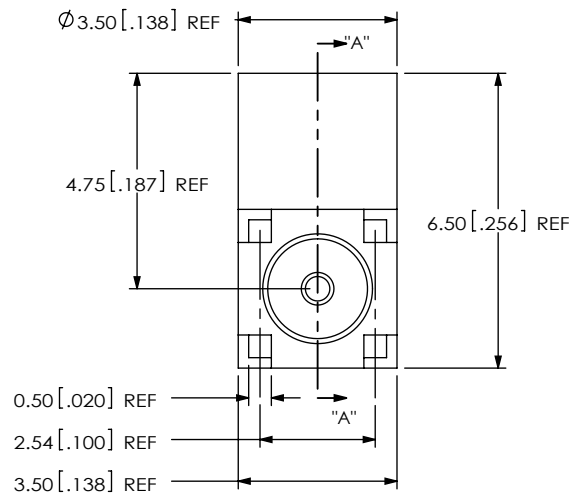
TERMINATION  
-SM1: SURFACE MOUNT

ORIENTATION  
-RA: RIGHT ANGLE

PLATING SPECIFICATION  
-H: HEAVY GOLD (SEE NOTE 6)  
(MMCX-J-P-H-RA-SM1-SKT)  
(MMCX-SHL-003-F)  
(MMCX-INS-002)  
(MMCX-BDY-001-F)  
(MMCX-INS-003)



**FIG.1**  
MMCX-J-P-X-RA-SM1 SHOWN



- NOTES:**
- ⊕ REPRESENTS A CRITICAL DIMENSION.
  - PUSHOUT FORCE FOR INSULATOR: 22.24 N[5 LB] MIN.
  - PUSHOUT FORCE FOR CENTER CONTACT: 11.12 N[2.5 LB] MIN.
  - PARTS TO BE PACKAGED IN TRAYS; IF QUANTITY IS LESS THAN HALF TRAY, PARTS TO BE PACKAGED IN ASBBLTXX.X.
  - RoHS COMPLIANT.
  - COMPONENT PLATING DESIGNATIONS:  
-H: 0.000030" MIN. GOLD OVER 0.000050" MIN. NICKEL.
  - ASSEMBLY PLATING DESIGNATIONS:  
-H: (CENTER CONTACT)-H:  
(OUTER CONTACT)-F:  
(REMAINING METAL PARTS)-F:

F:\DWG\MISC\MKTG\MMCX-J-P-X-RA-SM1-MKT.SLDDRW

UNLESS OTHERWISE SPECIFIED, DIMENSIONS ARE IN MILLIMETERS [INCHES]. TOLERANCES ARE: DECIMALS ANGLES .X: ±0.3 [0.1] 2° .XX: ±0.13 [0.05] .XXX: ±0.051 [0.020]	<b>PROPRIETARY NOTE</b> THIS DOCUMENT CONTAINS CONFIDENTIAL AND PROPRIETARY INFORMATION AND ALL DESIGN, MANUFACTURING, REPRODUCTION, USE, PATENT RIGHTS AND SALES RIGHTS ARE EXPRESSLY RESERVED BY SAMTEC, INC. THIS DOCUMENT SHALL NOT BE DISCLOSED, IN WHOLE OR PART, TO ANY UNAUTHORIZED PERSON OR ENTITY NOR REPRODUCED, TRANSFERRED OR INCORPORATED IN ANY OTHER PROJECT IN ANY MANNER WITHOUT THE EXPRESS WRITTEN CONSENT OF SAMTEC, INC.	<b>samtec</b> 520 PARK EAST BLVD, NEW ALBANY, IN 47150 PHONE: 812-944-6733 FAX: 812-948-5047 e-Mail: info@SAMTEC.com code: 55322
<b>MATERIAL:</b> DO NOT SCALE DRAWING SHEET SCALE: 1:0.166667	<b>DESCRIPTION:</b> MMCX RIGHT ANGLE, SMT JACK- 50 OHM	
SHELL, BODY: BRASS CONTACT: COPPER ALLOY DIELECTRICS: PTFE	DWG. NO. <b>MMCX-J-P-X-RA-SM1</b>	
	BY: R MUSSER 11/26/2007	SHEET 1 OF 1