



Chipsmall Limited consists of a professional team with an average of over 10 year of expertise in the distribution of electronic components. Based in Hongkong, we have already established firm and mutual-benefit business relationships with customers from,Europe,America and south Asia,supplying obsolete and hard-to-find components to meet their specific needs.

With the principle of “Quality Parts,Customers Priority,Honest Operation,and Considerate Service”,our business mainly focus on the distribution of electronic components. Line cards we deal with include Microchip,ALPS,ROHM,Xilinx,Pulse,ON,Everlight and Freescale. Main products comprise IC,Modules,Potentiometer,IC Socket,Relay,Connector.Our parts cover such applications as commercial,industrial, and automotives areas.

We are looking forward to setting up business relationship with you and hope to provide you with the best service and solution. Let us make a better world for our industry!



Contact us

Tel: +86-755-8981 8866 Fax: +86-755-8427 6832

Email & Skype: info@chipsmall.com Web: www.chipsmall.com

Address: A1208, Overseas Decoration Building, #122 Zhenhua RD., Futian, Shenzhen, China



TABLE 1		
ITEM	COMPONENT	-H
1	SHELL	MMCX-J-P-F-RA-TH1-SHL
2	PIN	MMCX-J-P-H-RA-TH1-SKT
3	INSULATOR 1	MMCX-INS-002
4	INSULATOR 2	MMCX-INS-003

DESIGNED & DIMENSIONED
IN MILLIMETERS [INCHES]

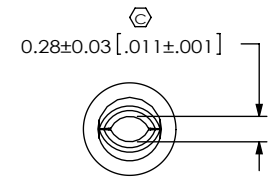
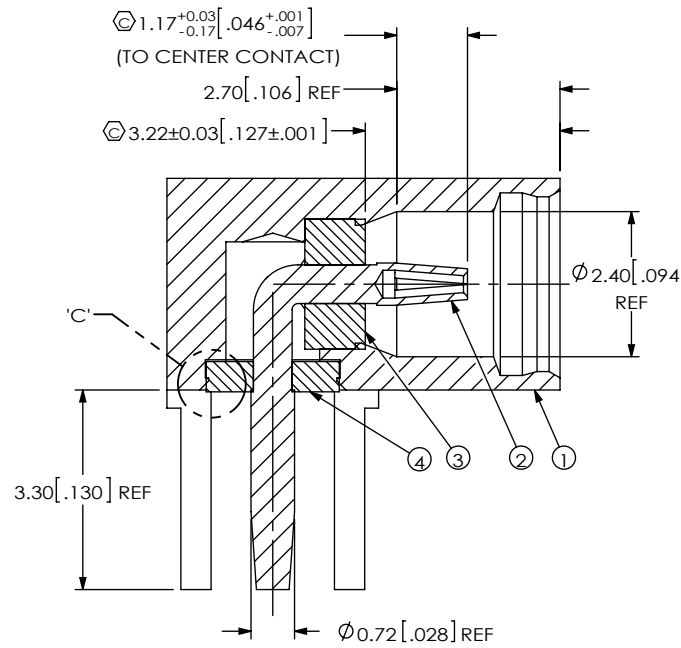
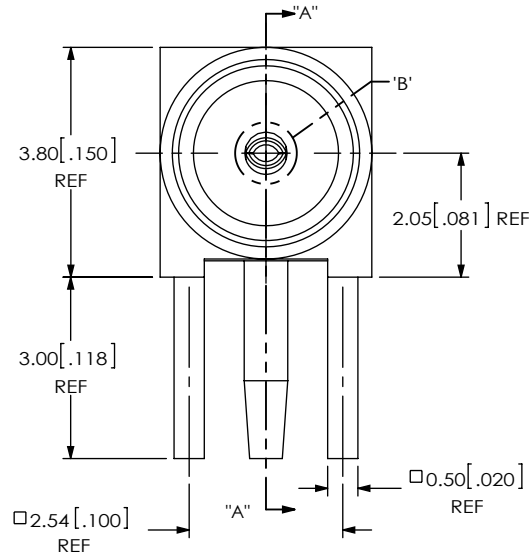
PF THIS PRODUCT MANUFACTURED
WITH LEAD-FREE PROCESSING

MMCX-J-P-X-RA-TH1

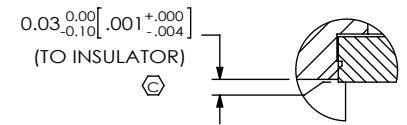
GENDER: -J: JACK
TYPE: -P: PCB
TERMINATION: -TH1: THROUGH HOLE
-RA: RIGHT ANGLE ORIENTATION

PLATING SPECIFICATION
-H: 30μ" GOLD CENTER CONTACT,
3μ" GOLD OUTER CONTACT
(SEE TABLE 1)

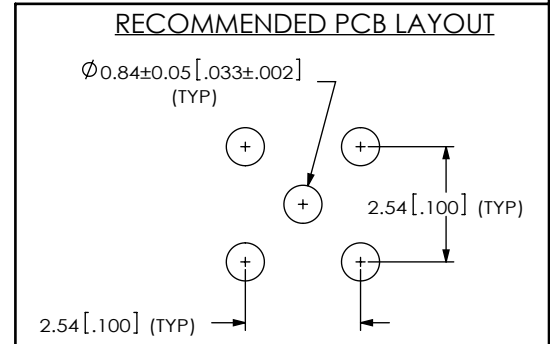
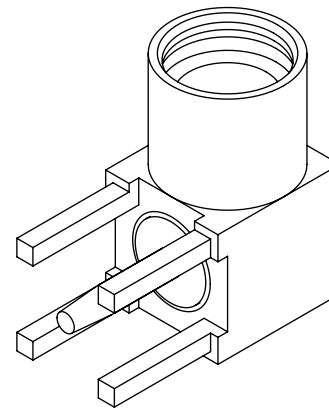
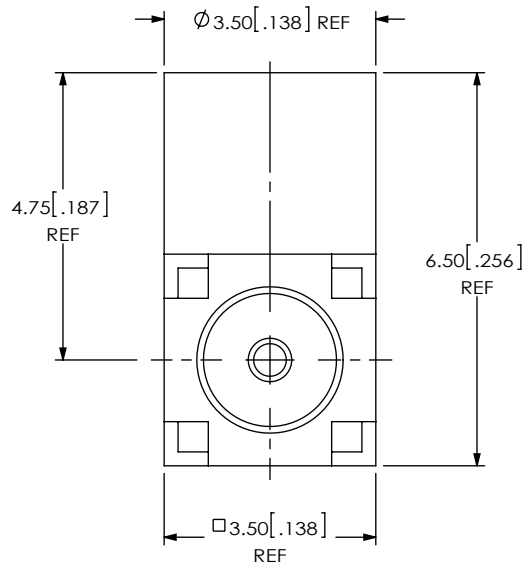
DO NOT
SCALE FROM
THIS PRINT



DETAIL 'B'
SCALE 12 : 1



DETAIL 'C'
SCALE 12 : 1



NOTES:

1. Ⓢ REPRESENTS A CRITICAL DIMENSION.
2. PUSHOUT FORCE FOR INSULATOR: 22.24 N [5 LB] MIN.
3. PUSHOUT FORCE FOR CENTER CONTACT: 11.12 N [2.5 LB] MIN.
4. PARTS TO BE PACKAGED IN TRAYS; IF QUANTITY IS LESS THAN HALF TRAY, PARTS TO BE PACKAGED IN FOAM.
5. RoHS COMPLIANT.

UNLESS OTHERWISE SPECIFIED,
DIMENSIONS ARE IN
MILLIMETERS [INCHES].
TOLERANCES ARE:
DECIMALS ANGLES
.X: ±0.3 [.01] 5°
.XX: ±0.13 [.005]
.XXX: ±0.051 [.0020]

PROPRIETARY NOTE
THIS DOCUMENT CONTAINS CONFIDENTIAL AND
PROPRIETARY INFORMATION AND ALL DESIGN,
MANUFACTURING, REPRODUCTION, USE, PATENT RIGHTS
AND SALES RIGHTS ARE EXPRESSLY RESERVED BY SAMTEC,
INC. THIS DOCUMENT SHALL NOT BE DISCLOSED, IN WHOLE
OR PART, TO ANY UNAUTHORIZED PERSON OR ENTITY NOR
REPRODUCED, TRANSFERRED OR INCORPORATED IN ANY
OTHER PROJECT IN ANY MANNER WITHOUT THE EXPRESS
WRITTEN CONSENT OF SAMTEC, INC.



520 PARK EAST BLVD, NEW ALBANY, IN 47150
PHONE: 812-944-6733 FAX: 812-948-5047
e-Mail: info@SAMTEC.com code: 55322

MATERIAL: DO NOT SCALE DRAWING SHEET SCALE: 8:1
SHELL: BRASS C3604B
PIN: BECU C17300
INSULATOR: PTFE

DESCRIPTION: MMCX RIGHT ANGLE, JACK- 50 OHM
DWG. NO.: MMCX-J-P-X-RA-TH1

BY: R MUSSER 12/03/2007 SHEET 1 OF 1