



Chipsmall Limited consists of a professional team with an average of over 10 year of expertise in the distribution of electronic components. Based in Hongkong, we have already established firm and mutual-benefit business relationships with customers from,Europe,America and south Asia,supplying obsolete and hard-to-find components to meet their specific needs.

With the principle of “Quality Parts,Customers Priority,Honest Operation,and Considerate Service”,our business mainly focus on the distribution of electronic components. Line cards we deal with include Microchip,ALPS,ROHM,Xilinx,Pulse,ON,Everlight and Freescale. Main products comprise IC,Modules,Potentiometer,IC Socket,Relay,Connector.Our parts cover such applications as commercial,industrial, and automotives areas.

We are looking forward to setting up business relationship with you and hope to provide you with the best service and solution. Let us make a better world for our industry!



Contact us

Tel: +86-755-8981 8866 Fax: +86-755-8427 6832

Email & Skype: info@chipsmall.com Web: www.chipsmall.com

Address: A1208, Overseas Decoration Building, #122 Zhenhua RD., Futian, Shenzhen, China



DO NOT SCALE FROM THIS PRINT

THIS PRODUCT MANUFACTURED WITH LEAD-FREE PROCESSING

DESIGNED & DIMENSIONED IN MILLIMETERS [INCHES]

MMCX-P-C-X-RA-CA1

GENDER
-P: PLUG

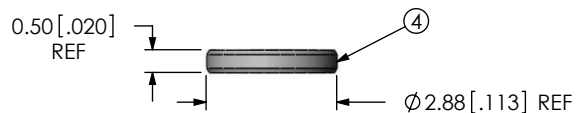
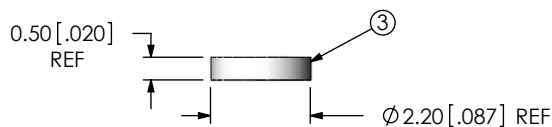
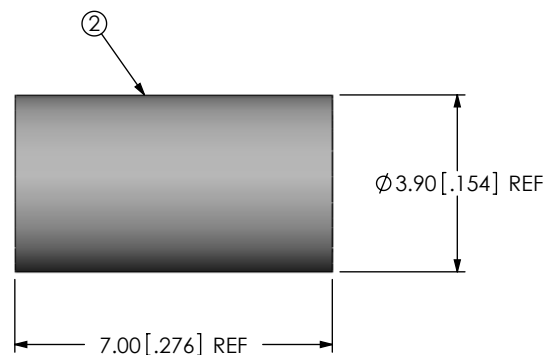
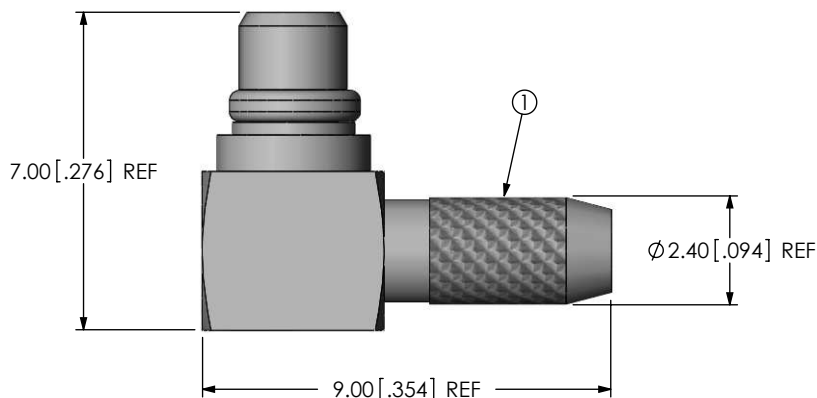
TERMINATION
-CA1: CABLE (RG174 OR RG316)

TYPE
-C: CABLE

ORIENTATION
-RA: RIGHT ANGLE

PLATING SPECIFICATION
-H: 30μ" GOLD CENTER CONTACT,
3μ" GOLD OUTER CONTACT
(SEE TABLE 1)


TABLE 1		
ITEM	COMPONENT	-H
1	SUB ASSEMBLY	SUB-MMCX-P-C-HF-RA-CA1
2	FERRULE	MCX-FER-002-F
3	INSULATOR	MMCX-INS-001
4	CAP	MMCX-CAP-001-F



NOTES:

- ① REPRESENTS A CRITICAL DIMENSION.
- CENTER CONTACT PUSHOUT FORCE: 26.69 N [6LB] MIN
- NOTE DELETED.
- NOTE DELETED.
- PRODUCT TO BE PACKAGED PER PACKAGING STANDARD CO-HD-WI-3040-M.
- NOTE DELETED.
- NOTE DELETED.
- NOTE DELETED.

F:\DWG\MISC\MKTG\MMCX-P-C-X-RA-CA1-MKT.SLDDRW

<p>UNLESS OTHERWISE SPECIFIED, DIMENSIONS ARE IN MILLIMETERS [INCHES]. TOLERANCES ARE:</p> <p>DECIMALS ANGLES</p> <p>.X: ±0.3 [.01] 5°</p> <p>.XX: ±0.13 [.005]</p> <p>.XXX: ±0.051 [.0020]</p>	<p>PROPRIETARY NOTE</p> <p>THIS DOCUMENT CONTAINS INFORMATION CONFIDENTIAL AND PROPRIETARY TO SAMTEC, INC. AND SHALL NOT BE REPRODUCED OR TRANSFERRED TO OTHER DOCUMENTS OR DISCLOSED TO OTHERS OR USED FOR ANY PURPOSE OTHER THAN THAT WHICH IT WAS OBTAINED WITHOUT THE EXPRESSED WRITTEN CONSENT OF SAMTEC, INC.</p>	 <p>520 PARK EAST BLVD, NEW ALBANY, IN 47150 PHONE: 812-944-6733 FAX: 812-948-5047 e-Mail info@SAMTEC.com code 55322</p> <p>DESCRIPTION: MMCX R/A CABLE PLUG, RG174 & RG316- 50 OHM</p> <p>DWG. NO. MMCX-P-C-X-RA-CA1</p> <p>BY: R MUSSER 02/06/2008 SHEET 1 OF 2</p>
<p>MATERIAL: DO NOT SCALE DRAWING SHEET SCALE: 6:1</p> <p>SHELL, FERRULE, CAP: BRASS CONTACT: BRASS DIELECTRIC: PTFE</p>		



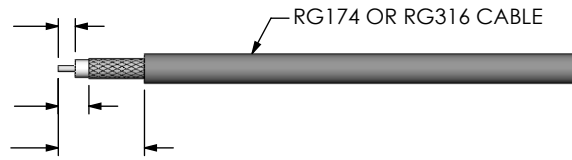
1.50±0.30 [.059±.012]



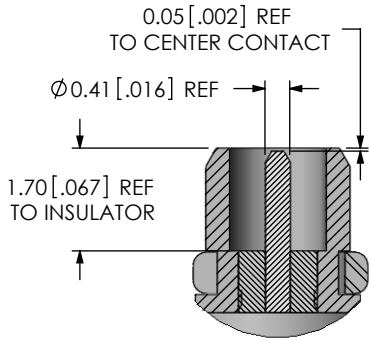
2.70±0.30 [.106±.012]



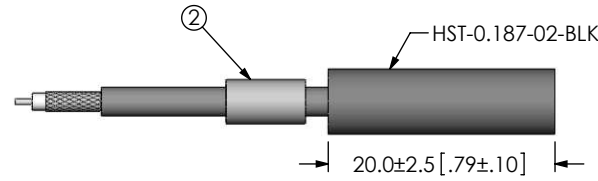
7.60±0.30 [.299±.012]



IN-PROCESS 1
STRIP AND TIN INNER CONDUCTOR

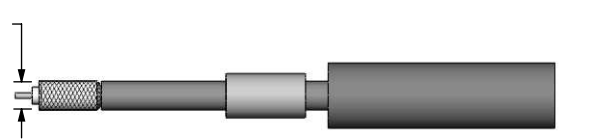


DETAIL 'A'
SCALE 8:1

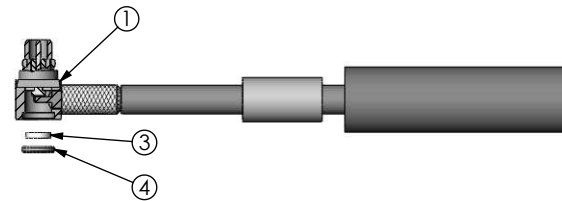


IN-PROCESS 2
ADD HEAT SHRINK TUBE AND FERRULE

Ø2.40 [.094]
(MIN. FLARED ID)



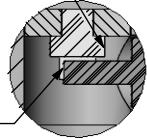
IN-PROCESS 3
FLARE SHIELD



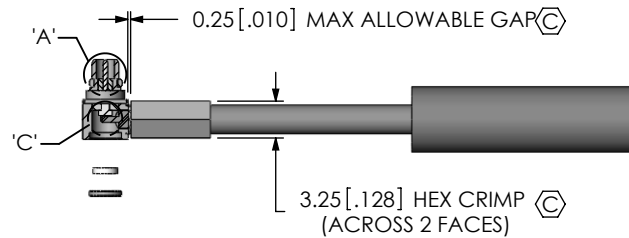
IN-PROCESS 4
ADD SUB ASSEMBLY

END OF CABLE DIELECTRIC
SHOULD NOT SEAT AGAINST
CONTACT CUP

CABLE CENTER CONDUCTOR
SHOULD NOT PROTRUDE
OUTSIDE CONTACT CUP AFTER
FERRULE IS CRIMPED



DETAIL 'C'



IN-PROCESS 5
CRIMP FERRULE & SOLDER SIGNAL PIN
(USE RF CRIMP HAND TOOL # CAT-HT-126667-21)



0.00±0.10 [.000±.004]



DETAIL 'B'
SCALE 5:1



IN-PROCESS 6
INSERT INSULATOR AND CAP

0.6 [.03] MAX GAP ALLOWABLE



IN-PROCESS 7
APPLY HEAT SHRINK TUBING

F:\DWG\MISC\MKTG\MMCX-P-C-X-RA-CA1-MKT.SLDRW

PROPRIETARY NOTE

THIS DOCUMENT CONTAINS INFORMATION
CONFIDENTIAL AND PROPRIETARY TO
SAMTEC, INC. AND SHALL NOT BE REPRODUCED
OR TRANSFERRED TO OTHER DOCUMENTS OR
DISCLOSED TO OTHERS OR USED FOR ANY
PURPOSE OTHER THAN THAT WHICH IT WAS
OBTAINED WITHOUT THE EXPRESSED WRITTEN
CONSENT OF SAMTEC, INC.

DO NOT SCALE DRAWING

SHEET SCALE: 6:1



520 PARK EAST BLVD, NEW ALBANY, IN 47150
PHONE: 812-944-6733 FAX: 812-948-5047
e-Mail: info@SAMTEC.com code 55322

DESCRIPTION:

MMCX R/A CABLE PLUG, RG174 & RG316- 50 OHM

DWG. NO.

MMCX-P-C-X-RA-CA1

BY: R MUSSER 02/06/2008

SHEET 2 OF 2