



Chipsmall Limited consists of a professional team with an average of over 10 year of expertise in the distribution of electronic components. Based in Hongkong, we have already established firm and mutual-benefit business relationships with customers from,Europe,America and south Asia,supplying obsolete and hard-to-find components to meet their specific needs.

With the principle of “Quality Parts,Customers Priority,Honest Operation,and Considerate Service”,our business mainly focus on the distribution of electronic components. Line cards we deal with include Microchip,ALPS,ROHM,Xilinx,Pulse,ON,Everlight and Freescale. Main products comprise IC,Modules,Potentiometer,IC Socket,Relay,Connector.Our parts cover such applications as commercial,industrial, and automotives areas.

We are looking forward to setting up business relationship with you and hope to provide you with the best service and solution. Let us make a better world for our industry!



Contact us

Tel: +86-755-8981 8866 Fax: +86-755-8427 6832

Email & Skype: info@chipsmall.com Web: www.chipsmall.com

Address: A1208, Overseas Decoration Building, #122 Zhenhua RD., Futian, Shenzhen, China



GENDER
-P: PLUG

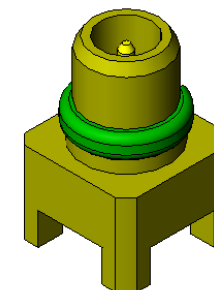
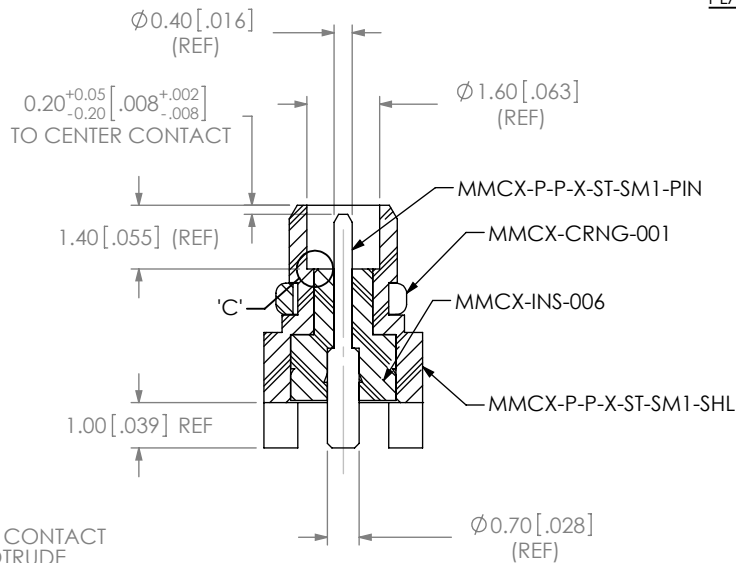
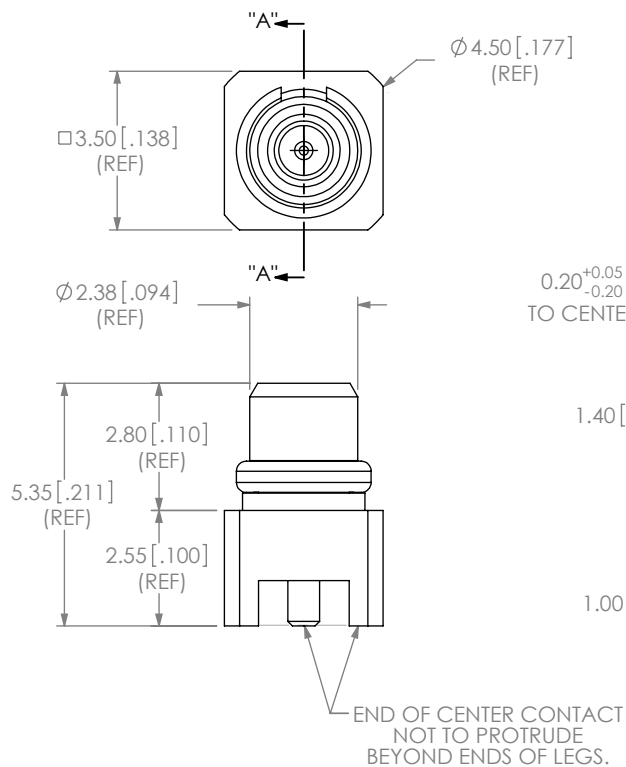
TYPE
-P: PCB

PLATING SPECIFICATION
-H: HEAVY GOLD
(SEE TABLE 1)

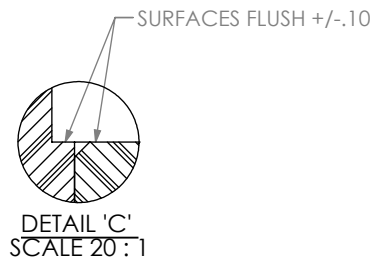
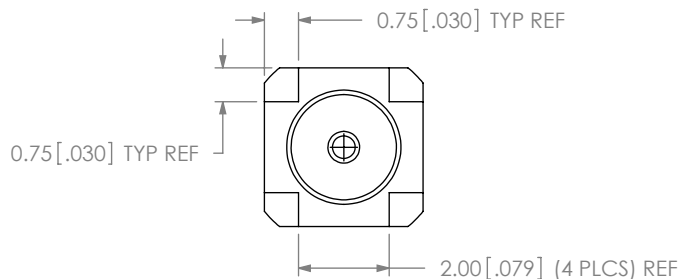
TERMINATION
-SM1: SURFACE MOUNT

ORIENTATION
-ST: STRAIGHT

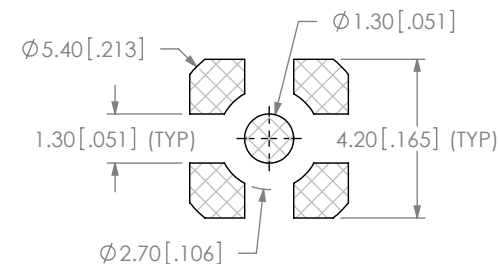
DO NOT
SCALE FROM
THIS PRINT



SECTION "A"- "A"



RECOMMENDED PCB LAYOUT



NOTES:

1. REPRESENTS A CRITICAL DIMENSION.
2. PUSHOUT FORCE FOR INSULATOR: 22.24 N [5 LB] MIN.
3. PUSHOUT FORCE FOR CENTER CONTACT: 11.12 N [2.5 LB] MIN.
4. INSERTION AND WITHDRAWAL FORCES PER 2.2.2 OF EN 122340:2002.
INSERTION = 18 N [4 LB] MAX.
WITHDRAWAL = 6 N [1.3 LB] MIN. / 18 N [4 LB] MAX.
4. PARTS TO BE PACKAGED IN TRAYS; IF QUANTITY IS LESS THAN HALF TRAY, PARTS TO BE PACKAGED IN COHESIVE FOAM.
5. RoHS COMPLIANT.

TABLE 1: MATERIAL

SAMTEC PART NUMBER	ITEM	MATERIAL	PLATING - (REFERENCE)
MMCX-P-P-X-ST-SM1-SHL	SHELL	BRASS C3604B	0.00013[.000005] GOLD OVER .00127[.000050] NICKEL
MMCX-INS-006	INSULATOR	PTFE TEFLON (WHITE)	N/A
MMCX-P-P-X-ST-SM1-PIN	PIN	BRASS C3602B	0.00076[.000030] GOLD OVER .00127[.000050] NICKEL
MMCX-CRNG-001	C-RING	BeCu C17300	0.00008[.000003] GOLD OVER .00127[.000050] NICKEL

F:\DWG\MISC\MKTG\MMCX-P-P-X-ST-SM1-MKT.SLDRW

UNLESS OTHERWISE SPECIFIED,
DIMENSIONS ARE IN
MILLIMETERS [INCHES].
TOLERANCES ARE:

DECIMALS ANGLES
.X: ±0.3 [0.1] 2°
.XX: ±0.13 [0.05]
.XXX: ±0.051 [0.020]

PROPRIETARY NOTE

THIS DOCUMENT CONTAINS INFORMATION
CONFIDENTIAL AND PROPRIETARY TO
SAMTEC, INC. AND SHALL NOT BE REPRODUCED OR
TRANSFERRED TO OTHER DOCUMENTS OR
DISCLOSED TO OTHERS OR USED FOR ANY
PURPOSE OTHER THAN THAT WHICH IT WAS
OBTAINED WITHOUT THE EXPRESSED WRITTEN
CONSENT OF SAMTEC, INC.

MATERIAL: DO NOT SCALE DRAWING SHEET SCALE: 6:1

SEE TABLE 1



520 PARK EAST BLVD, NEW ALBANY, IN 47150
PHONE: 812-944-6733 FAX: 812-948-5047
e-Mail: info@SAMTEC.com code: 55322

DESCRIPTION:
MMCX STRAIGHT, SMT PLUG- 50 OHM

DWG. NO.
MMCX-P-P-X-ST-SM1

BY: R MUSSER 12/03/2007 SHEET 1 OF 1