



Chipsmall Limited consists of a professional team with an average of over 10 year of expertise in the distribution of electronic components. Based in Hongkong, we have already established firm and mutual-benefit business relationships with customers from,Europe,America and south Asia,supplying obsolete and hard-to-find components to meet their specific needs.

With the principle of “Quality Parts,Customers Priority,Honest Operation,and Considerate Service”,our business mainly focus on the distribution of electronic components. Line cards we deal with include Microchip,ALPS,ROHM,Xilinx,Pulse,ON,Everlight and Freescale. Main products comprise IC,Modules,Potentiometer,IC Socket,Relay,Connector.Our parts cover such applications as commercial,industrial, and automotives areas.

We are looking forward to setting up business relationship with you and hope to provide you with the best service and solution. Let us make a better world for our industry!



Contact us

Tel: +86-755-8981 8866 Fax: +86-755-8427 6832

Email & Skype: info@chipsmall.com Web: www.chipsmall.com

Address: A1208, Overseas Decoration Building, #122 Zhenhua RD., Futian, Shenzhen, China



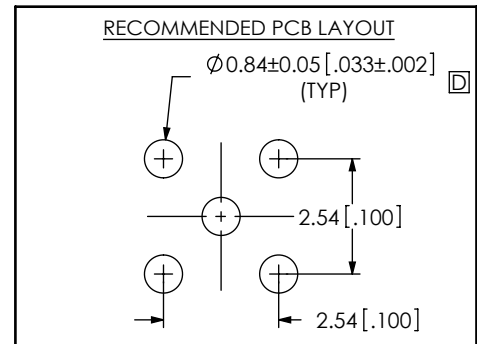
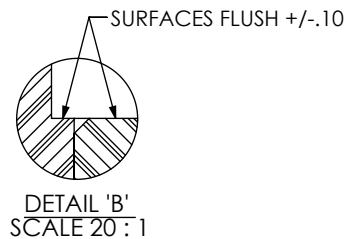
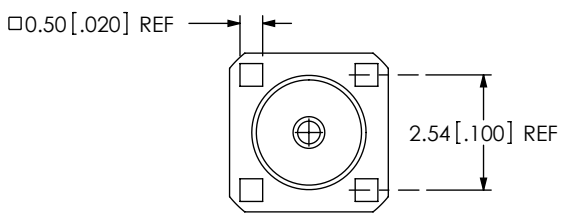
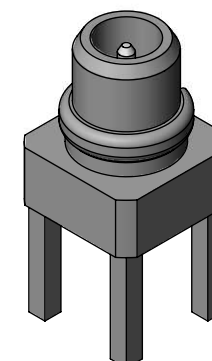
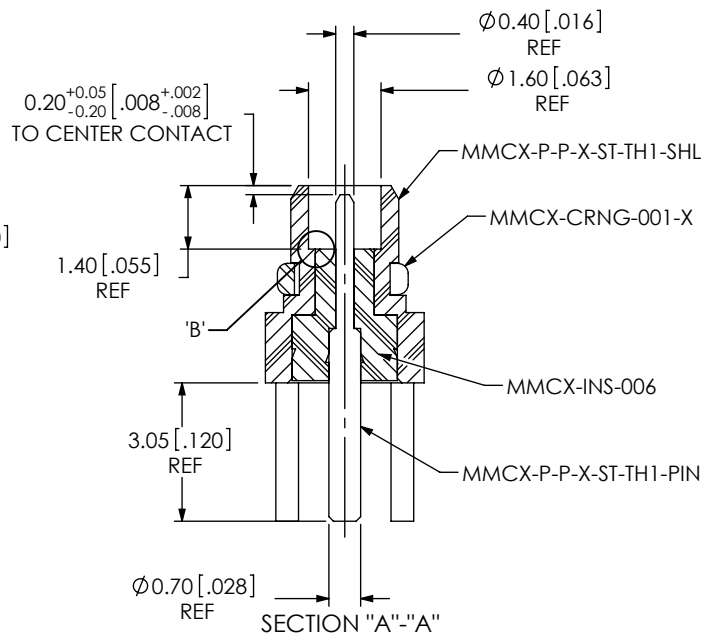
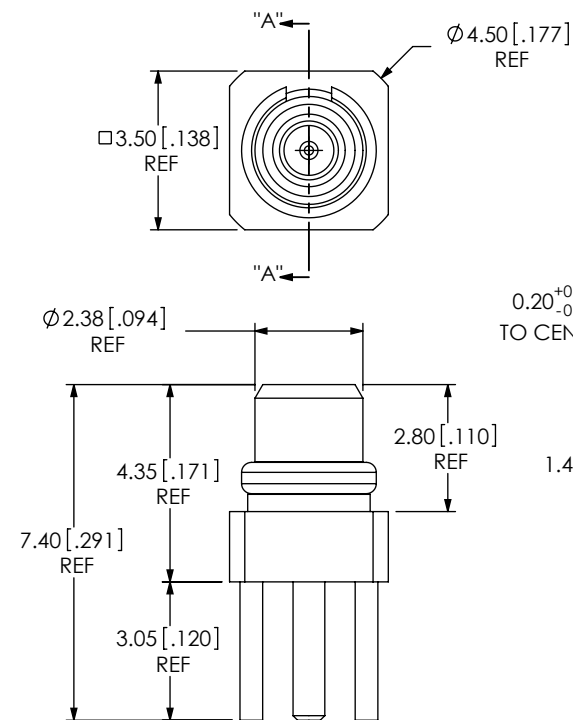
DO NOT SCALE FROM THIS PRINT

DESIGNED & DIMENSIONED IN MILLIMETERS [INCHES]

MMCX-P-P-X-ST-TH1

GENDER -P: PLUG
 TYPE -P: PCB
 TERMINATION -TH1: THROUGH HOLE
 ORIENTATION -ST: STRAIGHT

PLATING SPECIFICATION -H HEAVY GOLD (SEE TABLE 1)



NOTES:

1. REPRESENTS A CRITICAL DIMENSION.
2. PUSHOUT FORCE FOR INSULATOR: 22.24 N [5 LB] MIN.
3. PUSHOUT FORCE FOR CENTER CONTACT: 11.12 N [2.5 LB] MIN.
4. INSERTION AND WITHDRAWAL FORCES PER 2.2.2 OF EN 122340:2002. INSERTION = 18 N [4 LB] MAX. WITHDRAWAL = 6 N [1.3 LB] MIN. / 18 N [4 LB] MAX.
5. PARTS TO BE PACKAGED IN TRAYS; SEE CO-HD-WI-3040-M RF PACKAGING FOR PACKAGING INSTRUCTIONS.
6. RoHS COMPLIANT.

F:\DWG\MISC\MKTG\MMCX-P-P-X-ST-TH1-MKT.SLDDRW

UNLESS OTHERWISE SPECIFIED, DIMENSIONS ARE IN MILLIMETERS [INCHES]. TOLERANCES ARE:
 DECIMALS ANGLES
 .X: ±0.3 [.01] 2°
 .XX: ±0.13 [.005]
 .XXX: ±0.051 [.0020]

PROPRIETARY NOTE

THIS DOCUMENT CONTAINS INFORMATION CONFIDENTIAL AND PROPRIETARY TO SAMTEC, INC. AND SHALL NOT BE REPRODUCED OR TRANSFERRED TO OTHER DOCUMENTS OR DISCLOSED TO OTHERS OR USED FOR ANY PURPOSE OTHER THAN THAT WHICH IT WAS OBTAINED WITHOUT THE EXPRESSED WRITTEN CONSENT OF SAMTEC, INC.

TABLE 1: MATERIAL

| SAMTEC PART NUMBER | ITEM | MATERIAL | PLATING - (REFERENCE) |
|-----------------------|-----------|---------------------|---|
| MMCX-P-P-X-ST-TH1-SHL | SHELL | BRASS C3604B | 0.00013 [.000005] GOLD OVER .00127 [.000050] NICKEL |
| MMCX-INS-006 | INSULATOR | PTFE TEFLON (WHITE) | N/A |
| MMCX-P-P-X-ST-TH1-PIN | PIN | BRASS C3602B | 0.00076 [.000030] GOLD OVER .00127 [.000050] NICKEL |
| MMCX-CRNG-001 | C-RING | BeCu C17300 | 0.00008 [.000003] GOLD OVER .00127 [.000050] NICKEL |

MATERIAL: SEE TABLE 1

DO NOT SCALE DRAWING

SHEET SCALE: 6:1

DESCRIPTION: MMCX STRAIGHT, THROUGH HOLE PLUG- 50 OHM

DWG. NO. **MMCX-P-P-X-ST-TH1**

BY: R MUSSER 12/03/2007 SHEET 1 OF 1



520 PARK EAST BLVD, NEW ALBANY, IN 47150
 PHONE: 812-944-6733 FAX: 812-948-5047
 e-Mail: info@SAMTEC.com code: 5332