



Chipsmall Limited consists of a professional team with an average of over 10 year of expertise in the distribution of electronic components. Based in Hongkong, we have already established firm and mutual-benefit business relationships with customers from,Europe,America and south Asia,supplying obsolete and hard-to-find components to meet their specific needs.

With the principle of “Quality Parts,Customers Priority,Honest Operation,and Considerate Service”,our business mainly focus on the distribution of electronic components. Line cards we deal with include Microchip,ALPS,ROHM,Xilinx,Pulse,ON,Everlight and Freescale. Main products comprise IC,Modules,Potentiometer,IC Socket,Relay,Connector.Our parts cover such applications as commercial,industrial, and automotives areas.

We are looking forward to setting up business relationship with you and hope to provide you with the best service and solution. Let us make a better world for our industry!



Contact us

Tel: +86-755-8981 8866 Fax: +86-755-8427 6832

Email & Skype: info@chipsmall.com Web: www.chipsmall.com

Address: A1208, Overseas Decoration Building, #122 Zhenhua RD., Futian, Shenzhen, China



DO NOT SCALE FROM THIS PRINT

TABLE 3

SERIES	"B"	"C"	"D"	GRF7-J-P-X-RA-THX-BDY	GRF7-J-P-X-RA-THX-SKT
-TH1	2.80 [0.110]	7.41 [0.292]	2.80 [0.110]	GRF7-J-P-X-RA-TH1-BDY	GRF7-J-P-X-RA-TH1-SKT
-TH2	2.20 [0.087]	6.81 [0.268]	2.20 [0.087]	GRF7-J-P-X-RA-TH2-BDY	GRF7-J-P-X-RA-TH2-SKT
-TH3	1.60 [0.063]	6.21 [0.244]	1.60 [0.063]	GRF7-J-P-X-RA-TH3-BDY	GRF7-J-P-X-RA-TH3-SKT

TABLE 1

ITEM	COMPONENT	-HF	-GF
1	SHELL	GRF7V-J-P-F-RA-SHL	
2	SOCKET (SEE TABLE 3)	GRF7-J-P-H-RA-TH1-SKT	GRF7-J-P-G-RA-TH1-SKT
3	INSULATOR 1	GRF7-J-P-RA-INS-001	
4	BODY (SEE TABLE 3)	GRF7-J-P-F-RA-THX-BDY	GRF7-J-P-N-RA-THX-BDY
5	INSULATOR 2	GRF7-J-P-RA-INS-003	

LEAD STYLE
 -1: .093 BOARD
 -2: .062 BOARD
 -3: .039 BOARD (SEE TABLE 3)

TERMINATION
 -TH: THROUGH HOLE

ORIENTATION
 -RA: RIGHT ANGLE

PLATING SPECIFICATION
 -HF: 30µ" GOLD CENTER CONTACT, 3µ" GOLD OUTER CONTACT
 -GF: 10µ" GOLD CENTER CONTACT, 3µ" GOLD OUTER CONTACT, 100µ" NICKEL REMAINING PARTS (SEE TABLE 1)

GENDER
 -J: JACK

TYPE
 -P: PCB

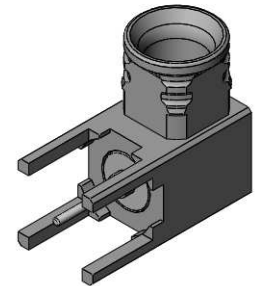
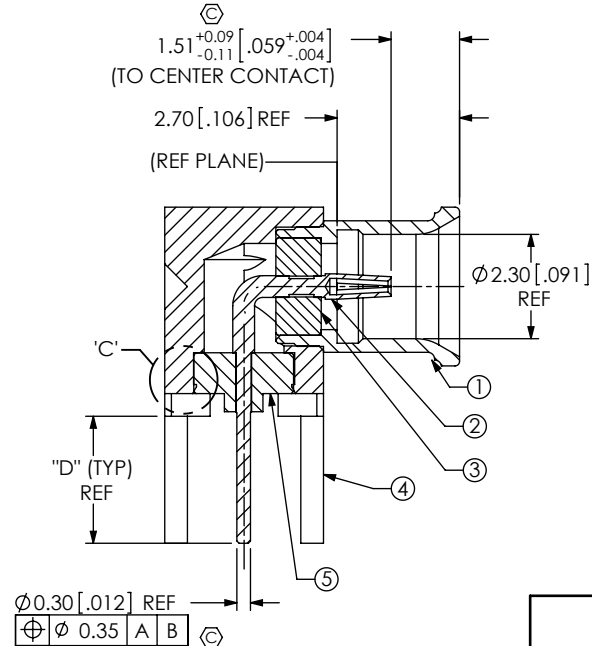
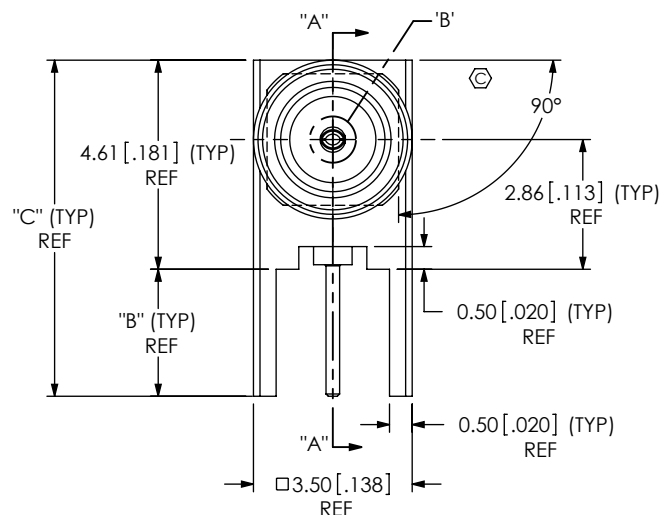
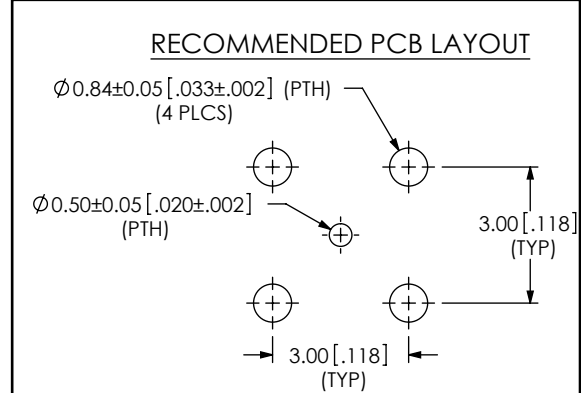
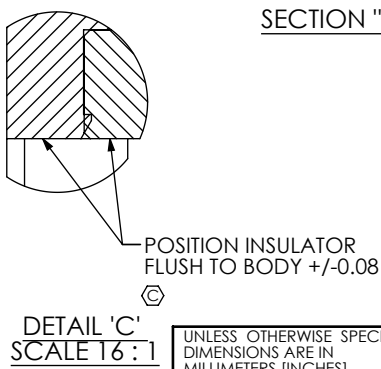
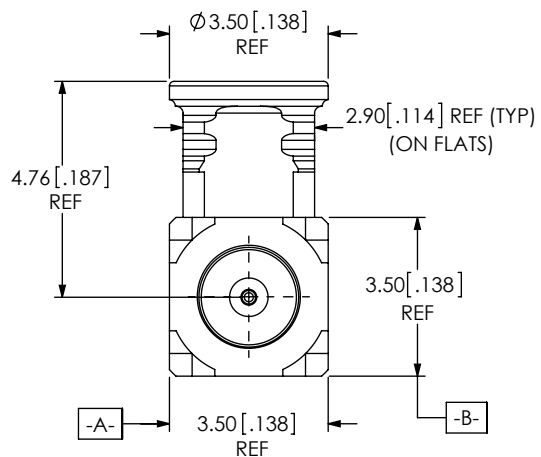
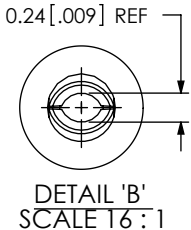
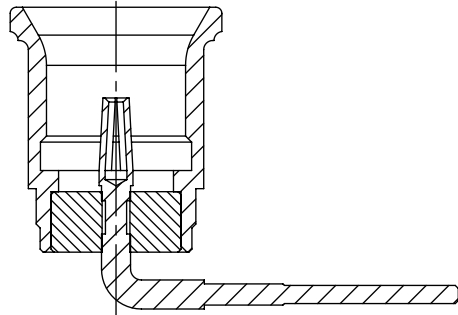


FIG 1
 MMCX7-J-P-XX-RA-TH1-ASM SHOWN
 -TH2 & -TH3 IS SIMILAR

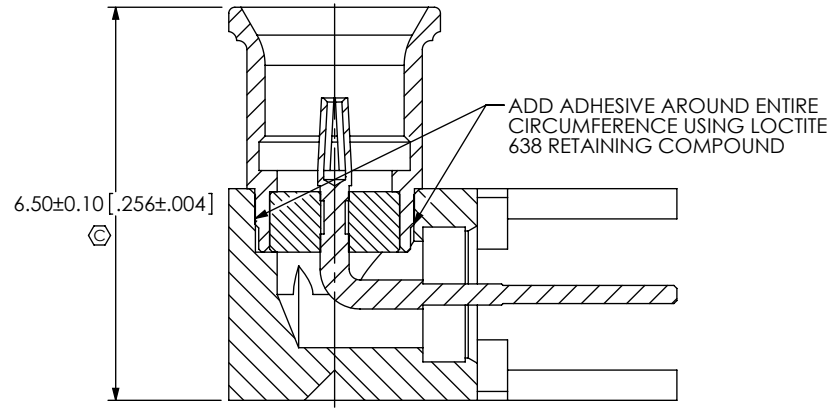


- NOTES:
- ⊕ REPRESENTS A CRITICAL DIMENSION.
 - PRODUCT TO BE PACKAGED PER PACKING STANDARD CO-RF-WI-3040-M.
 TRAY: TY-SMA001-1
 COVER: TY-SMA001-2
 100 PARTS PER TRAY (1 PARTS PER POCKET)

<p>UNLESS OTHERWISE SPECIFIED, DIMENSIONS ARE IN MILLIMETERS [INCHES]. TOLERANCES ARE:</p> <p>DECIMALS ANGLES X.X: ±0.3 [.01] 5° X.XX: ±0.13 [.005] X.XXX: ±0.051 [.0020]</p>	<p>PROPRIETARY NOTE THIS DOCUMENT CONTAINS INFORMATION CONFIDENTIAL AND PROPRIETARY TO SAMTEC, INC. AND SHALL NOT BE REPRODUCED OR TRANSFERRED TO OTHER DOCUMENTS OR DISCLOSED TO OTHERS OR USED FOR ANY PURPOSE OTHER THAN THAT WHICH IT WAS OBTAINED WITHOUT THE EXPRESSED WRITTEN CONSENT OF SAMTEC, INC.</p>	<p>520 PARK EAST BLVD, NEW ALBANY, IN 47150 PHONE: 812-944-6733 FAX: 812-948-5047 e-Mail: info@SAMTEC.com code: 55322</p>	
		<p>DESCRIPTION: MMCX RIGHT ANGLE THROUGH HOLE, JACK- 75 OHM</p>	
<p>MATERIAL: DO NOT SCALE DRAWING SHEET SCALE: 6:1</p> <p>SHELL / BODY: BRASS SOCKET: BeCu INSULATOR 1 & INSULATOR 2: PTFE</p>		<p>DWG. NO. MMCX7-J-P-XX-RA-THX</p>	
<p>BY: ALVINW 10/08/2011</p>		<p>SHEET 1 OF 2</p>	



IN PROCESS 1
INSERT INSULATOR 1 & SOCKET




IN PROCESS 2
PRESS / INSERT SHELL, INSULATOR 1, SOCKET
INTO BODY

PROPRIETARY NOTE
THIS DOCUMENT CONTAINS INFORMATION CONFIDENTIAL AND PROPRIETARY TO SAMTEC, INC. AND SHALL NOT BE REPRODUCED OR TRANSFERRED TO OTHER DOCUMENTS OR DISCLOSED TO OTHERS OR USED FOR ANY PURPOSE OTHER THAN THAT WHICH IT WAS OBTAINED WITHOUT THE EXPRESSED WRITTEN CONSENT OF SAMTEC, INC.

DO NOT SCALE DRAWING

SHEET SCALE: 8:1

 520 PARK EAST BLVD, NEW ALBANY, IN 47150 PHONE: 812-944-6733 FAX: 812-948-5047 e-Mail: info@SAMTEC.com code: 55322	
DESCRIPTION: MMCX RIGHT ANGLE THROUGH HOLE, JACK- 75 OHM	
DWG. NO. MMCX7-J-P-XX-RA-THX	
BY: ALVINW	10/08/2011
SHEET 2 OF 2	