



Chipsmall Limited consists of a professional team with an average of over 10 year of expertise in the distribution of electronic components. Based in Hongkong, we have already established firm and mutual-benefit business relationships with customers from,Europe,America and south Asia,supplying obsolete and hard-to-find components to meet their specific needs.

With the principle of “Quality Parts,Customers Priority,Honest Operation,and Considerate Service”,our business mainly focus on the distribution of electronic components. Line cards we deal with include Microchip,ALPS,ROHM,Xilinx,Pulse,ON,Everlight and Freescale. Main products comprise IC,Modules,Potentiometer,IC Socket,Relay,Connector.Our parts cover such applications as commercial,industrial, and automotives areas.

We are looking forward to setting up business relationship with you and hope to provide you with the best service and solution. Let us make a better world for our industry!



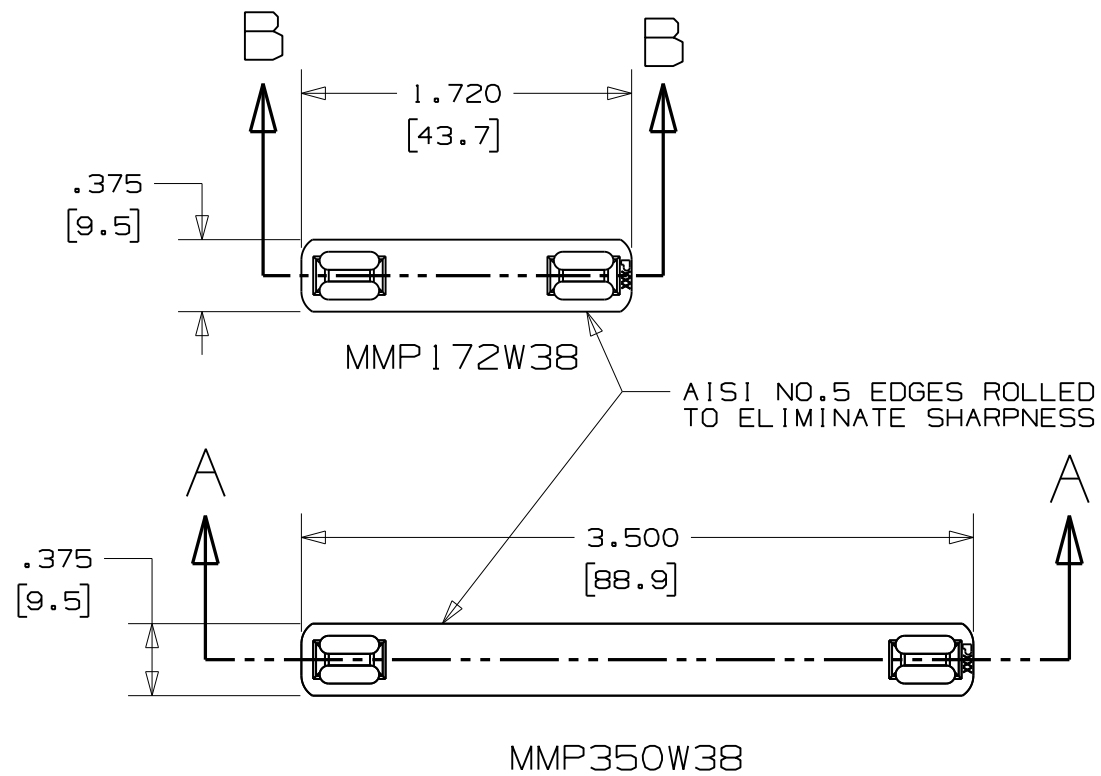
## Contact us

Tel: +86-755-8981 8866 Fax: +86-755-8427 6832

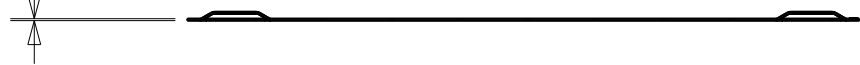
Email & Skype: info@chipsmall.com Web: www.chipsmall.com

Address: A1208, Overseas Decoration Building, #122 Zhenhua RD., Futian, Shenzhen, China





.010 ± .002  
[0.25 ± 0.05]



SECTION A - A  
SCALE 1:1

.010 ± .002  
[0.25 ± 0.05]



SECTION B - B  
SCALE 1:1

PART NUMBER	MATERIAL	PACKAGING QTY.
MMP350W38-C	304 SS	100
MMP350W38-C316	316 SS	100
MMP172W38-C	304 SS	100
MMP172W38-C316	316 SS	100

NOTES:

1. DIMENSIONS IN ( ) ARE mm.
2. CUSTOM PERMANENT MARKING AVAILABLE. CONSULT FACTORY.
3. USE WITH STD. CROSS SECTION MLT'S.
4. TOLERANCE (UNLESS OTHERWISE SPECIFIED):  
 .XXX = ±.020(.5)  
 .XX = ±.03(.8)

CAD FILENAME/LAYERS N10843BA\_DC/00A

PANDUIT CORP TINLEY PARK, ILLINOIS

3/8 WIDE MARKER PLATES  
CUSTOMER DRAWING

UNLESS OTHERWISE SPECIFIED,  
DIMENSIONAL TOLERANCES ARE:  
(.XX) ± N/A (.XXXX) ± N/A  
(.XXX) ± N/A ANGLES ± N/A

UNLESS OTHERWISE SPECIFIED,  
ALL DIMENSIONS ARE GIVEN IN  
INCHES, THIRD ANGLE PROJECTION

DRAWN BY  
JMMR

MAT'L:

SCALE FULL

DATE  
9/28/07

N/A

DRAWING NO.

N10843BA\_DC

DWG

B

SIZE

REV	DATE	BY	CHK	DESCRIPTION
00A	9/07	JMMR	SKB	RELEASED