



Chipsmall Limited consists of a professional team with an average of over 10 year of expertise in the distribution of electronic components. Based in Hongkong, we have already established firm and mutual-benefit business relationships with customers from,Europe,America and south Asia,supplying obsolete and hard-to-find components to meet their specific needs.

With the principle of "Quality Parts,Customers Priority,Honest Operation,and Considerate Service",our business mainly focus on the distribution of electronic components. Line cards we deal with include Microchip,ALPS,ROHM,Xilinx,Pulse,ON,Everlight and Freescale. Main products comprise IC,Modules,Potentiometer,IC Socket,Relay,Connector.Our parts cover such applications as commercial,industrial, and automotives areas.

We are looking forward to setting up business relationship with you and hope to provide you with the best service and solution. Let us make a better world for our industry!



Contact us

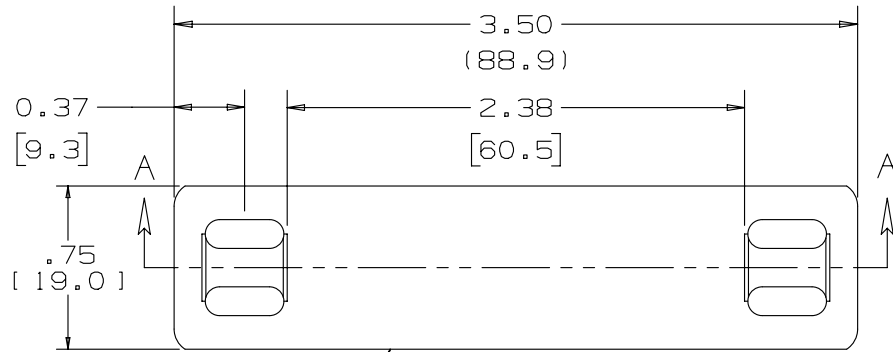
Tel: +86-755-8981 8866 Fax: +86-755-8427 6832

Email & Skype: info@chipsmall.com Web: www.chipsmall.com

Address: A1208, Overseas Decoration Building, #122 Zhenhua RD., Futian, Shenzhen, China



THIS COPY IS PROVIDED ON A RESTRICTED BASIS AND IS NOT TO BE USED IN ANY WAY DETRIMENTAL TO THE INTERESTS OF PANDUIT CORP.



AISI NO. 5 EDGES
ROLLED TO ELIMINATE
SHARPNESS (TYP.)

.010 ± .002
[0.25 ± 0.05]

SECTION "A-A"

PART NO.	MATERIAL	PKG. QTY.
MMP350H-C	304 S.S.	100
MMP350H-C316	316 S.S.	100
MMP350H-M	304 S.S.	1000
MMP350H-M316	316 S.S.	1000

NOTES:

- BRACKETS [] DENOTES DIMENSIONS ARE IN MILLIMETERS
- CUSTOM PERMANENT MARKING AVAILABLE. CONSULT FACTORY.
- USE WITH HEAVY CROSS SECTION MLT'S
- TOLERANCE (UNLESS OTHERWISE SPECIFIED)
 .xxx = ±.020 (.51)
 .xx = ±.03 (.8)

REV	DATE	BY	CHK	APR	DESCRIPTION	ECN
09A	3/13	JAMB	MIM	RGRO	UPDATED DRAWING TO NEW PANDUIT GLOBAL TITLE BLOCK WITH PANDUIT LOGO. ADDED DIM 0.37 & 2.38	SSECN01031
08B	8/08	JAMB	SKB	---	ADDED PART NO'S FOR BULK QTY 1000 MARKER PLATES	----
08A	7/07	JAMB	SKB	---	REMOVED PART NO'S MMP350W38-C & MMP350W38-C316 FROM PART TABLE. REMOVED FIGURE 2 & SECTION "B-B"	----
07	1/07	JAMB	SKB	---	ADDED MAT'L THICKNESS DIM TO SECTION "A-A" & "B-B"	----
06	11/06	JAMB	SKB	---	REVISED FIGURE 1 HEAVY MARKER PLT & ADDED FIGURE 2 STD MARKER PLT USED WITH STD MLT CROSS SECTION	SS00287
05	10/03	BRH	DPN	JJB	ADDED PACKAGE QTY/CODE TO PART NUMBERS IN TABLE	11167
04	02/01	KMD	JAC	JAC	FILE SPEC WAS N41046SA_PCD_03	09066

TITLE					
METAL MARKER PLATE - HEAVY					
CUSTOMER DRAWING					
ITEM REVISION NAME	N41046BS/09				
DATASET FILE NAME	N41046BS_DC/09A				
UNLESS OTHERWISE SPECIFIED, DIMENSIONAL TOLERANCES ARE: IN [mm]	PANDUIT				
.x ± .1 [2.54] .xxx ± .005 [.127] .xx ± .01 [.25] ANGLES ± 5 °					
MATERIAL:	STAINLESS STEEL				
DRAWING NUMBER:	N41046BS_DC				
DRAWN BY	DATE	CHK	SCALE	SHT 1 OF 1	SIZE
SAM	2/4/91	JAC	1:1		A