



Chipsmall Limited consists of a professional team with an average of over 10 year of expertise in the distribution of electronic components. Based in Hongkong, we have already established firm and mutual-benefit business relationships with customers from,Europe,America and south Asia,supplying obsolete and hard-to-find components to meet their specific needs.

With the principle of “Quality Parts,Customers Priority,Honest Operation,and Considerate Service”,our business mainly focus on the distribution of electronic components. Line cards we deal with include Microchip,ALPS,ROHM,Xilinx,Pulse,ON,Everlight and Freescale. Main products comprise IC,Modules,Potentiometer,IC Socket,Relay,Connector.Our parts cover such applications as commercial,industrial, and automotives areas.

We are looking forward to setting up business relationship with you and hope to provide you with the best service and solution. Let us make a better world for our industry!



Contact us

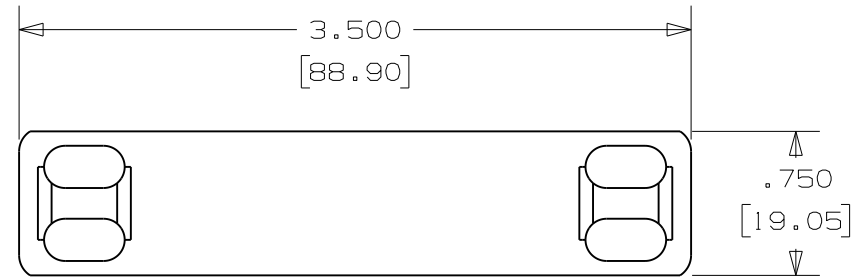
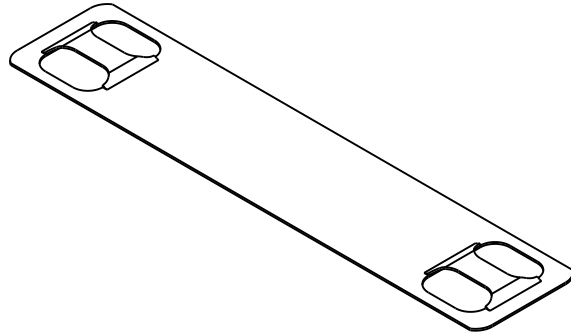
Tel: +86-755-8981 8866 Fax: +86-755-8427 6832

Email & Skype: info@chipsmall.com Web: www.chipsmall.com

Address: A1208, Overseas Decoration Building, #122 Zhenhua RD., Futian, Shenzhen, China



THIS COPY IS PROVIDED ON A RESTRICTED BASIS AND IS NOT TO BE USED IN ANY WAY DETRIMENTAL TO THE INTERESTS OF PANDUIT CORP.



NOTES:

1. MATERIAL: ALUMINUM
2. DIMENSIONS IN () ARE MILLIMETERS
3. CUSTOM PERMANENT MARKING AVAILABLE, CONSULT FACTORY.
4. GALVANIC REACTION MAY OCCUR BETWEEN STAINLESS STEEL TIES AND ALUMINUM MARKER PLATES IN CERTAIN ENVIRONMENTS CAUSING THE ALUMINUM TO CORRODE. RECOMMEND USING COLOR MATCHED PANDUIT ALUMINUM TIES

PART NUMBER	COLOR	PKG QTY
MMP350H-CAL	NATURAL	100
MMP350H-CALBL	BLACK	100
MMP350H-CALRD	RED	100
MMP350H-CALYL	YELLOW	100
MMP350H-CALGR	GREEN	100
MMP350H-CALBU	BLUE	100
MMP350H-MAL	NATURAL	1000
MMP350H-MALBL	BLACK	1000
MMP350H-MALRD	RED	1000
MMP350H-MALYL	YELLOW	1000
MMP350H-MALGR	GREEN	1000
MMP350H-MALBU	BLUE	1000

CAD FILENAME/LAYERS N41270BS_DC/03A

PANDUIT CORP. TINLEY PARK, ILLINOIS

COLORED ALUMINUM MARKER PLATES
CUSTOMER DRAWING

REV	DATE	BY	CHK	DESCRIPTION	ECN #
03A	8/08	JAMB	SKB	ORIGINAL CAD FILE SPEC WAS S41270_03 ADDED PART NO'S FOR BULK PACKAGE QTY. 1000 MARKER PLATES	
03	03/07	JMMR	SKB	REMOVED ONE OF TWO "P" LOGOS	SS00342
02	10/06	MIM	SKB	ADDED PART NUMBER MMP350H-CAL	SS00254
01	10/06	MIM	SKB	ADDED "P" LOGOS	SS00238
00	08/06/08	MIM	SKB	RELEASED FOR PRODUCTION	SS00221

UNLESS OTHERWISE SPECIFIED, DIMENSIONAL TOLERANCES ARE: (.XX) _+ .030 (.XXXX) _+ (.XXX) _+ .020 ANGLES ±		UNLESS OTHERWISE SPECIFIED, ALL DIMENSIONS ARE GIVEN IN INCHES, THIRD ANGLE PROJECTION.	
DRAWN BY MIM	MAT'L:	SCALE FULL	
DATE 8-6-08	SEE CHART	DRAWING NO. N41270BS_DC	DWG A SIZE
CHK'D SKB			