



Chipsmall Limited consists of a professional team with an average of over 10 year of expertise in the distribution of electronic components. Based in Hongkong, we have already established firm and mutual-benefit business relationships with customers from,Europe,America and south Asia,supplying obsolete and hard-to-find components to meet their specific needs.

With the principle of "Quality Parts,Customers Priority,Honest Operation,and Considerate Service",our business mainly focus on the distribution of electronic components. Line cards we deal with include Microchip,ALPS,ROHM,Xilinx,Pulse,ON,Everlight and Freescale. Main products comprise IC,Modules,Potentiometer,IC Socket,Relay,Connector.Our parts cover such applications as commercial,industrial, and automotives areas.

We are looking forward to setting up business relationship with you and hope to provide you with the best service and solution. Let us make a better world for our industry!



Contact us

Tel: +86-755-8981 8866 Fax: +86-755-8427 6832

Email & Skype: info@chipsmall.com Web: www.chipsmall.com

Address: A1208, Overseas Decoration Building, #122 Zhenhua RD., Futian, Shenzhen, China



THIS DRAWING IS UNPUBLISHED.

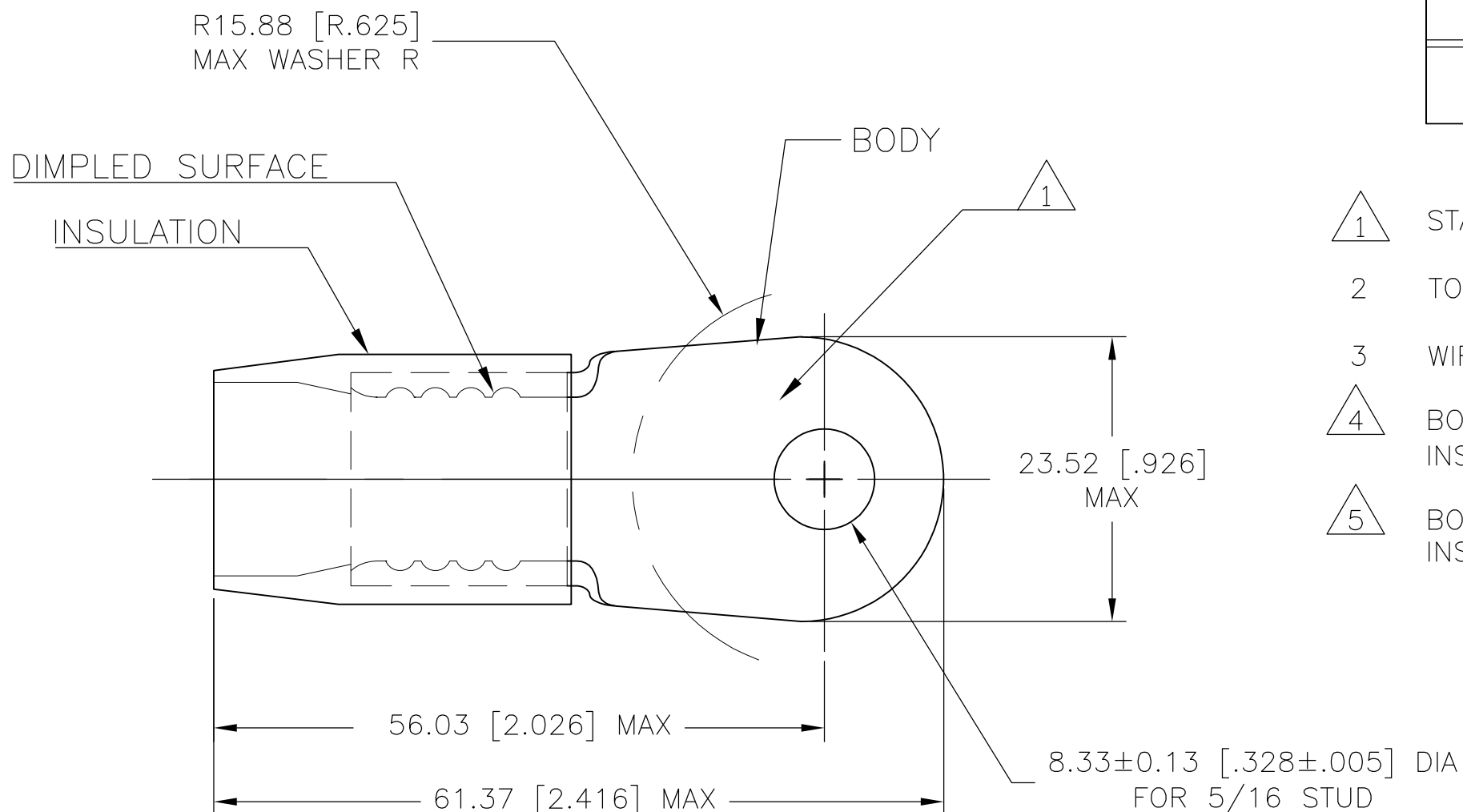
RELEASED FOR PUBLICATION

© COPYRIGHT - By -

ALL RIGHTS RESERVED.

LOC	DIST	REVISIONS					
		P	LTR	DESCRIPTION	DATE	DWN	APVD
G	14		F2	REVISED PER ECO-13-002070	05FEB13	KH	DR

AMP WIRE RANGE
2/0 AWG STRANDED



- 1 STAMP AMP 2/0 W*, LOCATE APPROX AS SHOWN
- 2 TONGUE MATERIAL THK 2.03±0.08 [.080±.003]
- 3 WIRE INSULATION DIA 15.49 [.610] MAX
- 4 BODY: COPPER PER ASTM B-152
INSULATION: NYLON (MIL-M-20693) TYPE I
- 5 BODY: TIN PLATED PER ASTM B-545
INSULATION: COLOR-YELLOW

MS25036-135 CLASS 2	-	LOOSE PC	324083
MILITARY P/N AND CLASS	QTY	PACKAGE TYPE	PART NO

MAX RECOMMENDED OPERATING TEMPERATURE: 105°C
VOLTAGE RATING: -
CIRCULAR MIL AREA: 60.6-76.3mm ² [119,500-150,500] STRANDED

THIS DRAWING IS A CONTROLLED DOCUMENT.	
DIMENSIONS: mm [INCHES]	TOLERANCES UNLESS OTHERWISE SPECIFIED:
	0 PLC ± -
	1 PLC ± -
	2 PLC ± 0.20[.008]
	3 PLC ± -
	4 PLC ± -
	ANGLES ± -
MATERIAL	FINISH
4	5

DWN S.S. GOULDEN 9-28-93	STE TE Connectivity		
CHK R. HERSEY 9-28-93			
APVD M ELLIS 9-28-93	NAME TERMINAL, RING TONGUE, TERMINYL, WIRE SIZE: 2/0 AWG		
PRODUCT SPEC NOT AVAILABLE	SIZE	CAGE CODE	DRAWING NO
APPLICATION SPEC NOT AVAILABLE	A3	00779	C-324083
WEIGHT -	CUSTOMER DRAWING		RESTRICTED TO -
SCALE NTS		SHEET 1 OF 1	REV F2