



Chipsmall Limited consists of a professional team with an average of over 10 year of expertise in the distribution of electronic components. Based in Hongkong, we have already established firm and mutual-benefit business relationships with customers from,Europe,America and south Asia,supplying obsolete and hard-to-find components to meet their specific needs.

With the principle of "Quality Parts,Customers Priority,Honest Operation,and Considerate Service",our business mainly focus on the distribution of electronic components. Line cards we deal with include Microchip,ALPS,ROHM,Xilinx,Pulse,ON,Everlight and Freescale. Main products comprise IC,Modules,Potentiometer,IC Socket,Relay,Connector.Our parts cover such applications as commercial,industrial, and automotives areas.

We are looking forward to setting up business relationship with you and hope to provide you with the best service and solution. Let us make a better world for our industry!



## Contact us

Tel: +86-755-8981 8866 Fax: +86-755-8427 6832

Email & Skype: info@chipsmall.com Web: www.chipsmall.com

Address: A1208, Overseas Decoration Building, #122 Zhenhua RD., Futian, Shenzhen, China



# Datenblatt / Data sheet

Seite/Page 1/4

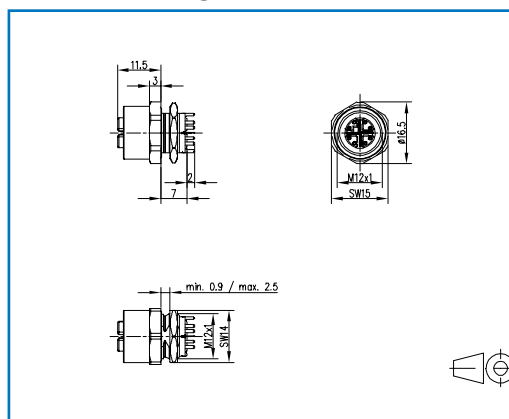
Leiterplattenbuchse M12 IP67  
PCB Jack M12 IP67

Bestell-Nr. / Part no.  
**MMT361A315**

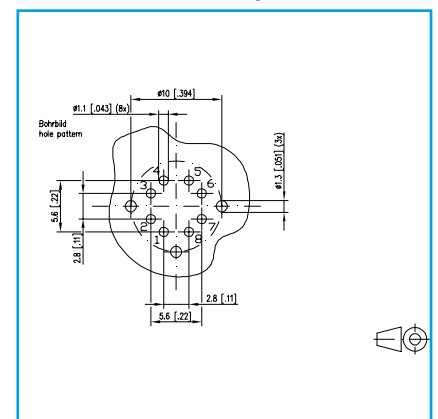
2017-10-26

## Abbildungen / Illustration

### Maßzeichnung / Dimensions



### Lochbild / PCB Layout



Vergrößerte Zeichnungen am Dokumentende / see enlarged drawings at the end of the document

## Produktbeschreibung

- Ethernet M12 Leiterplattenbuchse Cat.6<sub>A</sub>
- 8-polig, X-kodiert nach IEC 61076-2-109
- 10 GBit geeignet nach IEE 802.3an
- THR lötlbar
- Steckrichtung senkrecht
- Kontaktträger grün
- geeignet für Anwendungen in der Bahnindustrie

## Product specification

- Ethernet M12 jack Cat.6<sub>A</sub> for PC boards
- 8-pole, X-coded as per IEC 61076-02-109
- for 10 GBit Ethernet (IEEE 802.3an)
- solderable THR
- top entry
- green PC board insert
- suitable for applications in the railway industry



Technische Daten		Technical Data	
<b>Allgemeine Daten</b>		<b>General Data</b>	
Abmessungen	Ø 16.5 x 20.5 mm	Dimensions	
Ports	1	Ports	
<b>Elektrische Eigenschaften</b>		<b>Electrical properties</b>	
Bemessungsspannung	50 V AC / 60 V DV	Rated voltage	
Bemessungsstrom bei 40 °C	0.5 A	Current carrying capacity at 40 °C	
Isolationswiderstand	≥ 100 MOhm	Insulation resistance	
Überspannungskategorie	II	Overvoltage category	
Verschmutzungsgrad	2	Degree of pollution	
<b>Mechanische Eigenschaften</b>			
<b>Material</b>		<b>Material</b>	
Gehäuse	CuZn	Housing	
Kontakte	CuZn	Contact	
Kontaktoberfläche	Gold über Nickel Gold plating over Nickel plating	Contact surface	
Schirmung	CuSn	Shield	
Lebensdauer Steckzyklen	≥ 100	Life plug cycles	
<b>Anzugsdrehmoment</b>		<b>Tightening torque</b>	
Stecker	0.6 - 1 Nm	Plug	
Buchsenbefestigung	3 Nm ± 0.5 Nm	Socket mounting	
Schutzart	IP67 im gesteckten Zustand IP67 in mated condition	Protection degree	
<b>Klimatische Eigenschaften</b>		<b>Climatic properties</b>	
Temperaturbereich	-40 ° bis / to +85 °C	Temperature range	
<b>Zertifikate</b>		<b>Approvals</b>	
UL-CSA Registrierung	geplant / pending	UL-CSA Registration Zertifikate	
<b>Das Produkt erfüllt folgende Normen</b>		<b>The product meets the following standards</b>	
Elektronische Einrichtungen auf Schienenfahrzeugen	DIN EN 50155	Electronic equipment used on rolling stock	
Brandschutz in Schienenfahrzeugen	DIN EN 45545-2	Fire protection on railway vehicles	

# U | Contact

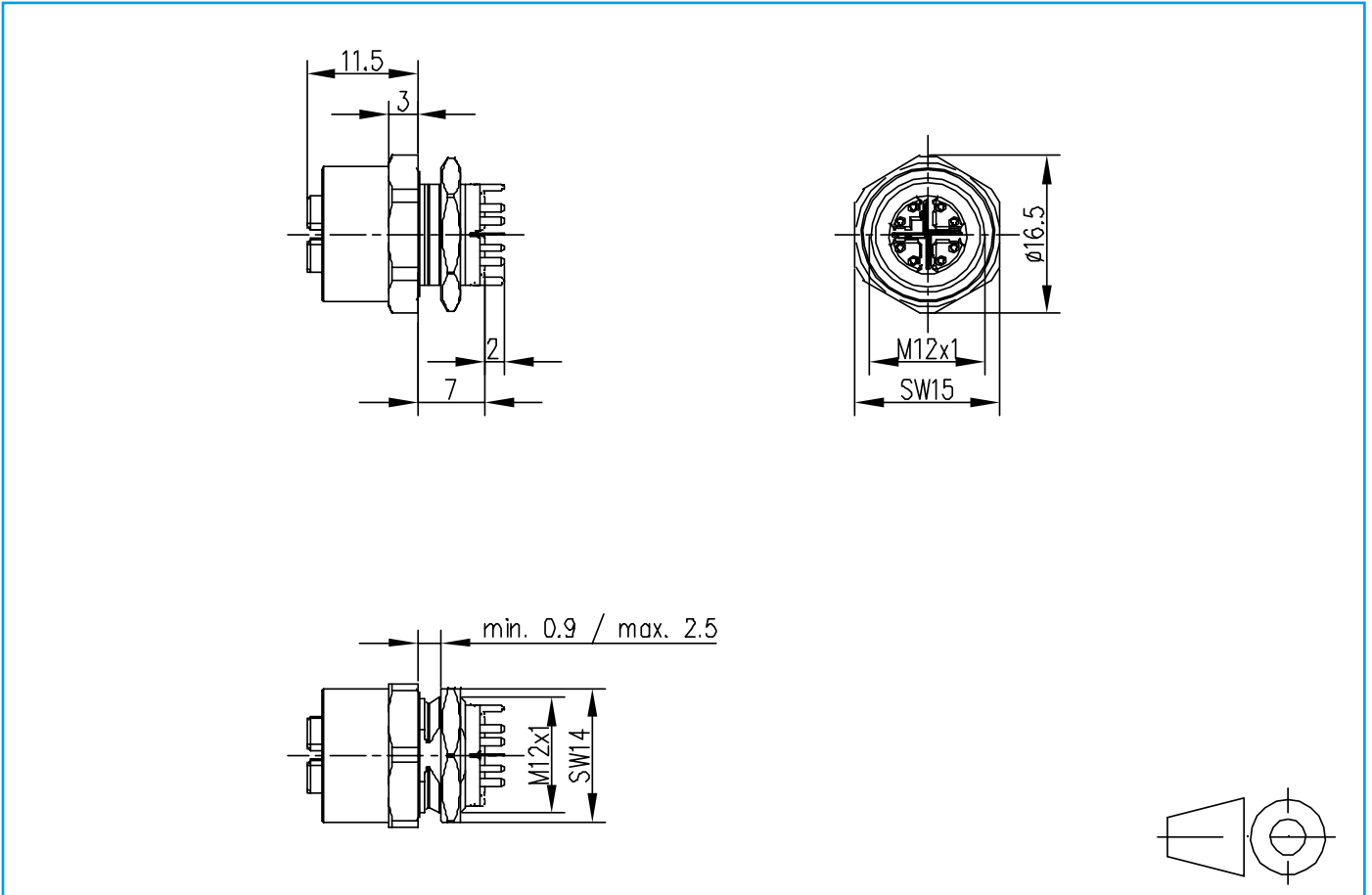
Datenblatt / Data sheet  
 Leiterplattenbuchse M12 IP67  
 PCB Jack M12 IP67

Seite/Page 3/4  
 Bestell-Nr. / Part no.  
**MMT361A315**  
 2017-10-26

**Technische Zeichnungen** **Technical Drawings**

**Maßzeichnung**

**Dimensions**



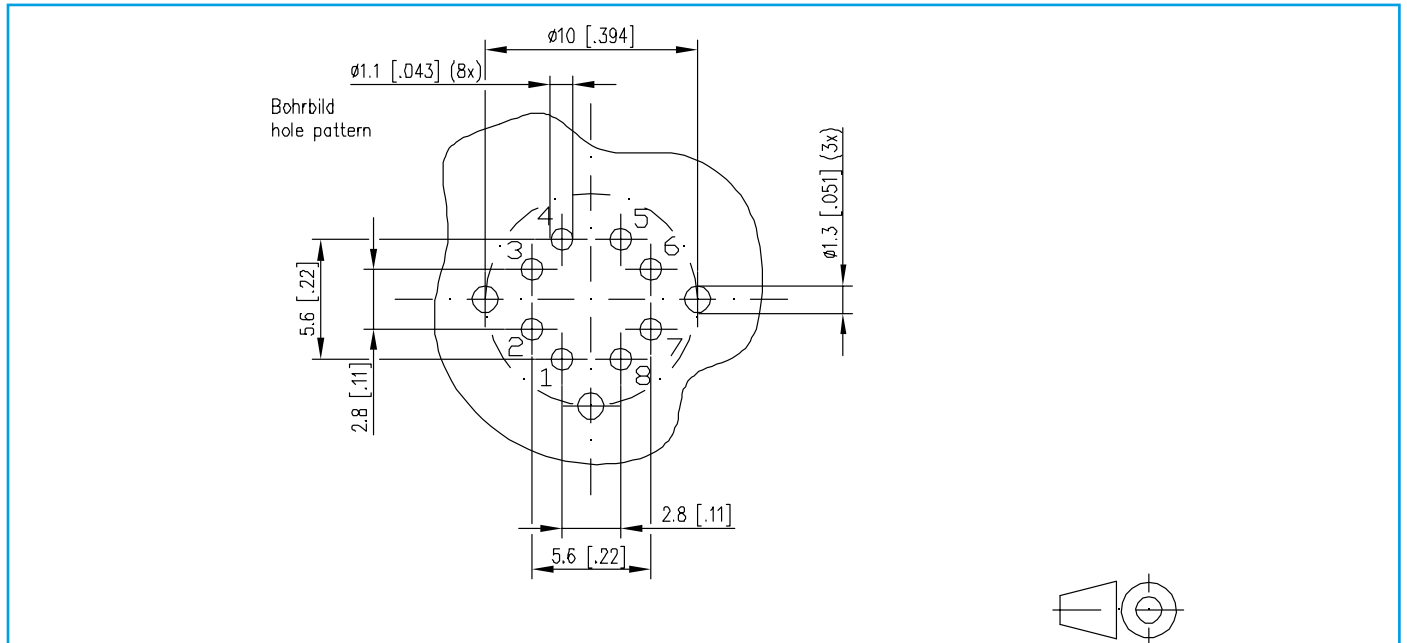
© 2017 METZ CONNECT - Technische Änderungen vorbehalten! Subjects to modifications!

**Technische Zeichnungen**

**Technical Drawings**

**Lochbild**

**PCB Layout**



**Wanddurchbruch**

**Cut out**

