



Chipsmall Limited consists of a professional team with an average of over 10 year of expertise in the distribution of electronic components. Based in Hongkong, we have already established firm and mutual-benefit business relationships with customers from,Europe,America and south Asia,supplying obsolete and hard-to-find components to meet their specific needs.

With the principle of “Quality Parts,Customers Priority,Honest Operation,and Considerate Service”,our business mainly focus on the distribution of electronic components. Line cards we deal with include Microchip,ALPS,ROHM,Xilinx,Pulse,ON,Everlight and Freescale. Main products comprise IC,Modules,Potentiometer,IC Socket,Relay,Connector.Our parts cover such applications as commercial,industrial, and automotives areas.

We are looking forward to setting up business relationship with you and hope to provide you with the best service and solution. Let us make a better world for our industry!



## Contact us

Tel: +86-755-8981 8866 Fax: +86-755-8427 6832

Email & Skype: info@chipsmall.com Web: www.chipsmall.com

Address: A1208, Overseas Decoration Building, #122 Zhenhua RD., Futian, Shenzhen, China





**Datenblatt/Data Sheet**

**Leiterplattenbuchse M12 gewinkelt, X-kodiert, für Wandstärke bis 4 mm**  
**PCB Jack M12 angled, X-coded, for wall thickness up to 4 mm**

Seite/Page 2/4

 Bestell-Nr./Part No.  
**MMT471A315-0001**

2017-10-26

**Technische Daten / Technical Data**

<b>Allgemeine Daten</b>		<b>General Data</b>
Buchse	M12	Jack
Anzahl Kontakte	8	Number of contacts
Norm	X-kodiert nach IEC 61076-2-109 X-coded per IEC 61076-2-109	Standard
geeignet für Wandstärke bis	4 mm	suitable for a wall thickness up to

<b>Elektrische Eigenschaften</b>		<b>Electrical properties</b>
Spannung	50 V AC / 60 V DV	Voltage
Nennstrom bei 50 °C	max. 0.5 A	Nominal current at 50 °C
Isolationswiderstand	> 100 MOhm	Isolation resistance
Überspannungskategorie	II	Overvoltage category
Verschmutzungsgrad	2	Degree of pollution

<b>Mechanische Eigenschaften</b>		<b>Mechanical properties</b>
Material		Material
Gehäuse	CUZn	Housing
Kontakte	CuZn	Contacts
Kontaktoberfläche	Gold über Nickel Gold plating over Nickel plating	Contact surface
Lebensdauer Steckzyklen	> 100	Life plug cycles
Anzugsdrehmoment		Tightening torque
Stecker	0.6 – 1 Nm	Plug
Buchsenbefestigung	3 Nm +/- 0.5 Nm	Socket mounting
Schutzart	IP67 im gesteckten Zustand IP67 in mated condition	Protection degree

<b>Klimatische Eigenschaften</b>		<b>Climatic properties</b>
Temperaturbereich	-40 °C - +85 °C	Temperature range

<b>Das Produkt erfüllt folgende Normen</b>		<b>The product meets the following standards</b>
Elektronische Einrichtungen auf Schienenfahrzeugen	DIN EN 50155	Electronic equipment used on rolling stock
Brandschutz in Schienenfahrzeugen	DIN EN 45545-2	Fire protection on railway vehicles



**Datenblatt/Data Sheet**

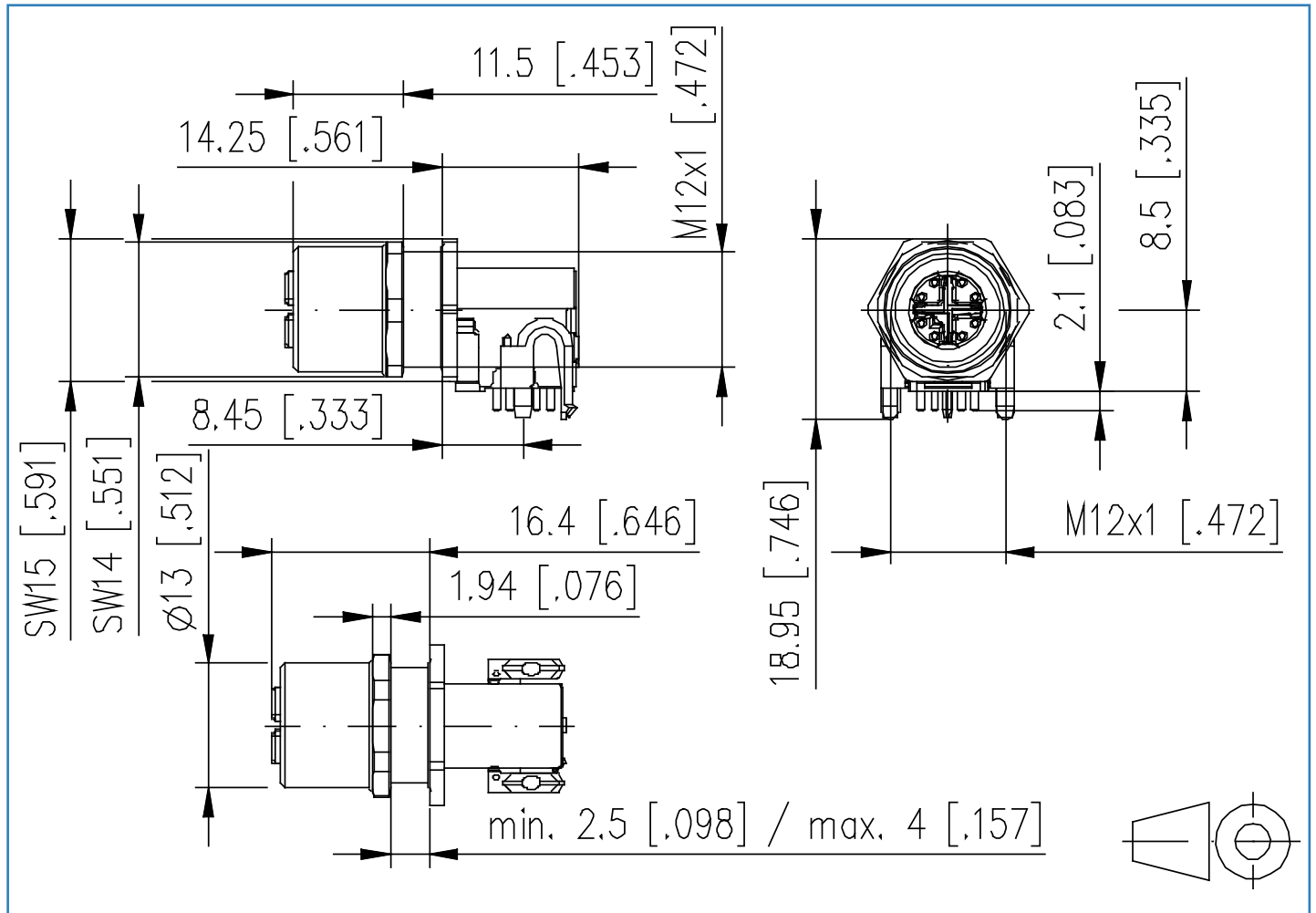
**Leiterplattenbuchse M12 gewinkelt, X-kodiert, für Wandstärke bis 4 mm**  
**PCB Jack M12 angled, X-coded, for wall thickness up to 4 mm**

Seite/Page 3/4

Bestell-Nr./Part No.  
**MMT471A315-0001**

2017-10-26

**Maßzeichnung / Dimensions**



**Datenblatt/Data Sheet**

**Leiterplattenbuchse M12 gewinkelt, X-kodiert, für Wandstärke bis 4 mm**  
**PCB Jack M12 angled, X-coded, for wall thickness up to 4 mm**

Seite/Page 4/4

Bestell-Nr./Part No.  
**MMT471A315-0001**

2017-10-26

**PCB-Layout**

**Einbauausschnitt / cut-out**

