



Chipsmall Limited consists of a professional team with an average of over 10 year of expertise in the distribution of electronic components. Based in Hongkong, we have already established firm and mutual-benefit business relationships with customers from,Europe,America and south Asia,supplying obsolete and hard-to-find components to meet their specific needs.

With the principle of “Quality Parts,Customers Priority,Honest Operation,and Considerate Service”,our business mainly focus on the distribution of electronic components. Line cards we deal with include Microchip,ALPS,ROHM,Xilinx,Pulse,ON,Everlight and Freescale. Main products comprise IC,Modules,Potentiometer,IC Socket,Relay,Connector.Our parts cover such applications as commercial,industrial, and automotives areas.

We are looking forward to setting up business relationship with you and hope to provide you with the best service and solution. Let us make a better world for our industry!



Contact us

Tel: +86-755-8981 8866 Fax: +86-755-8427 6832

Email & Skype: info@chipsmall.com Web: www.chipsmall.com

Address: A1208, Overseas Decoration Building, #122 Zhenhua RD., Futian, Shenzhen, China



Datenblatt / Data sheet

Seite/Page 1/3

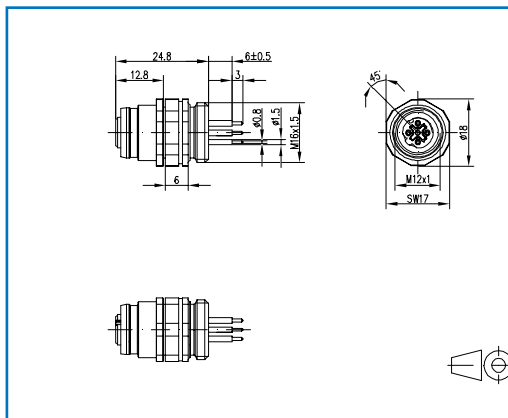
Leiterplattenbuchse M12 IP67 D-kodiert, Fronteinbau
PCB Jack M12 IP67 D-coded, front mounting

Bestell-Nr. / Part no.
MMW360A1A1

2017-10-26

Abbildungen / Illustration

Maßzeichnung / Dimensions



Produktbeschreibung

- Ethernet M12 Leiterplattenbuchse
- 4-polig, D-kodiert nach IEC 61076-2-101
- lötfähig
- Fronteinbau
- Kontaktträger grün
- geeignet für Anwendungen in der Bahnindustrie

Product specification

- Ethernet M12 female connector for PC boards
- 4-pole, D-coded as per IEC 61076-02-101
- solderable
- front mounting
- green pc board insert for THR
- suitable for applications in the railway industry

U | Contact

Datenblatt / Data sheet
Leiterplattenbuchse M12 IP67 D-kodiert, Fronteinbau
PCB Jack M12 IP67 D-coded, front mounting

Seite/Page 2/3
 Bestell-Nr. / Part no.
MMW360A1A1

2017-10-26

Technische Daten		Technical Data	
Allgemeine Daten		General Data	
Abmessungen	Ø 18 x 33.8 mm	Dimensions	
Ports	1	Ports	
Elektrische Eigenschaften		Electrical properties	
Bemessungsspannung	max. 250 V	Rated voltage	
Bemessungsstrom bei 40 °C	4 A	Current carrying capacity at 40 °C	
Isolationswiderstand	≥ 100 MOhm	Insulation resistance	
Mechanische Eigenschaften			
Material		Material	
Gehäuse	CuZn	Housing	
Kontakte	CuZn	Contact	
Kontaktoberfläche	Gold über Nickel Gold plating over Nickel plating	Contact surface	
Schirmung	CuSn	Shield	
Lebensdauer Steckzyklen	≥ 100	Life span contact durability	
Klimatische Eigenschaften		Climatic properties	
Temperaturbereich	-30 ° bis / to +90 °C	Temperature range	
Schutz vor Eindringen		Protection against ingress	
Schutzart	IP67 in gestecktem Zustand IP67 in mated condition	Degree of protection	
Zertifikate		Approvals	
UL-CSA Registrierung	geplant / pending	UL-CSA Registration	
Das Produkt erfüllt folgende Normen		The product meets the following standards	
Elektronische Einrichtungen auf Schienenfahrzeugen	DIN EN 50155	Electronic equipment used on rolling stock	
Brandschutz in Schienenfahrzeugen	DIN EN 45545-2	Fire protection on railway vehicles	

© 2017 METZ CONNECT - Technische Änderungen vorbehalten! Subject to modifications!

Datenblatt / Data sheet

Leiterplattenbuchse M12 IP67 D-kodiert, Fronteinbau

PCB Jack M12 IP67 D-coded, front mounting

Seite/Page 3/3

Bestell-Nr. / Part no.

MMW360A1A1

2017-10-26

Technische Zeichnungen

Technical Drawings

Maßzeichnung

Dimensions

