



Chipsmall Limited consists of a professional team with an average of over 10 year of expertise in the distribution of electronic components. Based in Hongkong, we have already established firm and mutual-benefit business relationships with customers from,Europe,America and south Asia,supplying obsolete and hard-to-find components to meet their specific needs.

With the principle of “Quality Parts,Customers Priority,Honest Operation,and Considerate Service”,our business mainly focus on the distribution of electronic components. Line cards we deal with include Microchip,ALPS,ROHM,Xilinx,Pulse,ON,Everlight and Freescale. Main products comprise IC,Modules,Potentiometer,IC Socket,Relay,Connector.Our parts cover such applications as commercial,industrial, and automotives areas.

We are looking forward to setting up business relationship with you and hope to provide you with the best service and solution. Let us make a better world for our industry!



Contact us

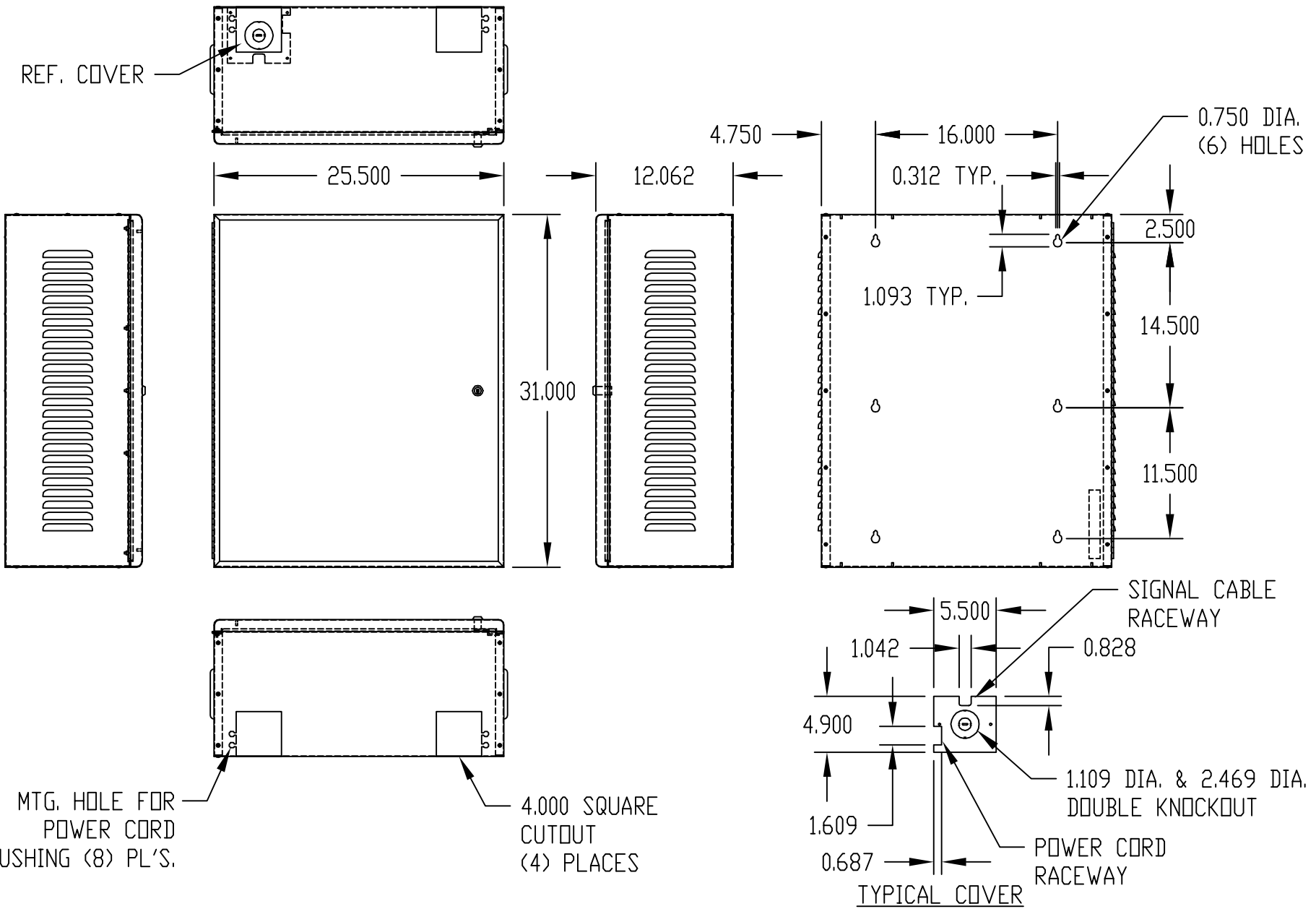
Tel: +86-755-8981 8866 Fax: +86-755-8427 6832

Email & Skype: info@chipsmall.com Web: www.chipsmall.com

Address: A1208, Overseas Decoration Building, #122 Zhenhua RD., Futian, Shenzhen, China



PART NAME	MEGA NETWORK CABINET	PART No.	MNC-8085	REV. DATE	10-6-05
-----------	----------------------	----------	----------	-----------	---------



MATERIAL:

BODY ASSEMBLY, DOOR & COVERS _____ 18 GA. STEEL
 SWING DOWN & MOUNTING BRACKETS _____ 14 GA. STEEL
 CONTINUOUS HINGE _____ 20 GA. STAINLESS STEEL (0.100 DIA. PIN)
 KNOBS _____ PLASTIC
 GROUNDING BAR _____ 0.250 THK. COPPER

FINISH:

BODY ASSEMBLY, DOOR, SWING DOWN BRACKETS & COVERS _____ UNICREAM
 CONTINUOUS HINGE & GROUNDING BAR _____ NATURAL
 KNOBS _____ BLACK

DOOR CAN BE HINGED EITHER LEFT OR RIGHT (SUPPLIED HINGED LEFT)

SWING-DOWN BRACKETS HAVE #10-32 TAPPED HOLES ON E.I.A. UNIVERSAL HOLE SPACING
 FIXED MOUNTING BRACKETS HAVE 0.281 DIA. HOLES ON E.I.A. UNIVERSAL HOLE SPACING
 SWING-DOWN BRACKETS SUPPLIED ASSEMBLED QTY. (4)
 COVERS SUPPLIED UNASSEMBLED QTY. (2)
 POWER CORD STRAIN RELIEF BUSHING SUPPLIED UNASSEMBLED QTY. (12) EACH
 #10-32 SCREWS & CLIP NUTS SUPPLIED FOR ACCESSORY MOUNTING

