



Chipsmall Limited consists of a professional team with an average of over 10 year of expertise in the distribution of electronic components. Based in Hongkong, we have already established firm and mutual-benefit business relationships with customers from,Europe,America and south Asia,supplying obsolete and hard-to-find components to meet their specific needs.

With the principle of “Quality Parts,Customers Priority,Honest Operation,and Considerate Service”,our business mainly focus on the distribution of electronic components. Line cards we deal with include Microchip,ALPS,ROHM,Xilinx,Pulse,ON,Everlight and Freescale. Main products comprise IC,Modules,Potentiometer,IC Socket,Relay,Connector.Our parts cover such applications as commercial,industrial, and automotives areas.

We are looking forward to setting up business relationship with you and hope to provide you with the best service and solution. Let us make a better world for our industry!



Contact us

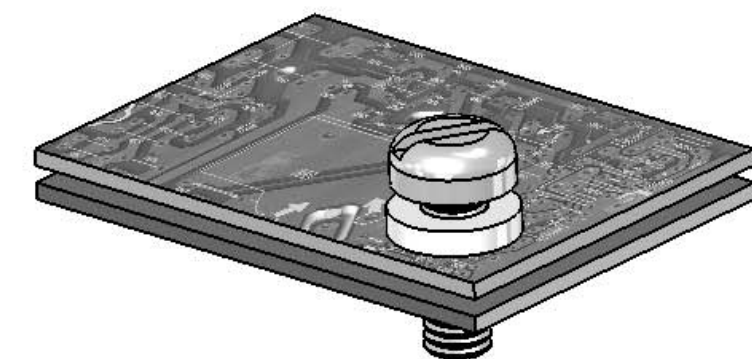
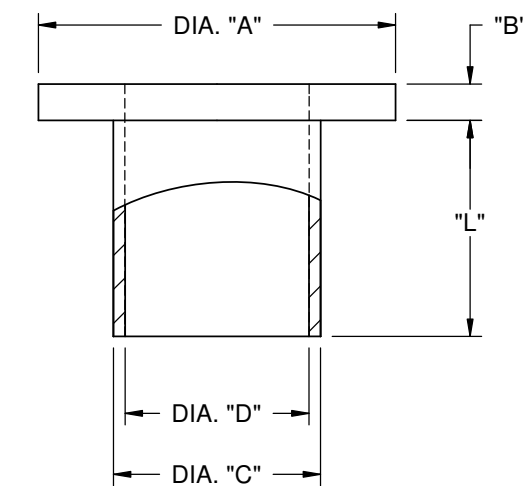
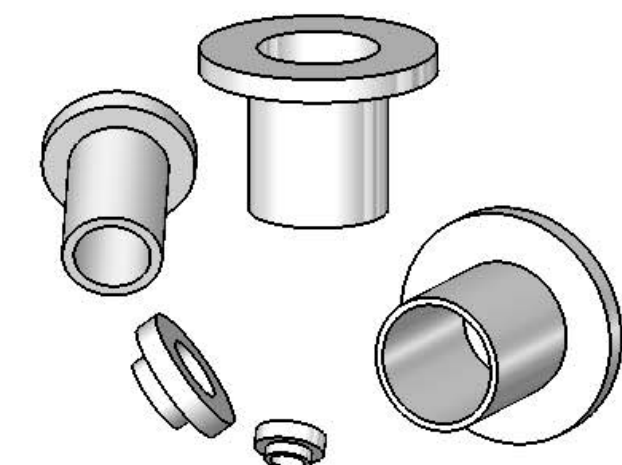
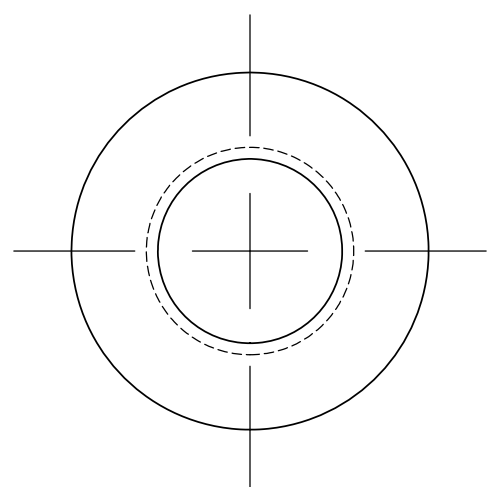
Tel: +86-755-8981 8866 Fax: +86-755-8427 6832

Email & Skype: info@chipsmall.com Web: www.chipsmall.com

Address: A1208, Overseas Decoration Building, #122 Zhenhua RD., Futian, Shenzhen, China



Mat'l: UL94 V2 Nylon 6/6 Color: Natural	Screw Size	"L" ± .015 (0.38)	"A" ± .007 (0.18)	"B" ± .007 (0.18)	"C" ± .005 (0.13)	"D" ± .005 (0.13)	Material	
MNI-2-2	#2 (M2)	.031 (0.8)	.181 (4.6)	.047 (1.2)	.120 (3)	.090 (2.3)	RMS-01	
MNI-2-4		.063 (1.6)			.118 (3)			
MNI-2-6		.093 (2.4)			.145 (3.7)			
MNI-4-2	#4 (M2.5)	.031 (0.8)	.235 (6)		.140 (3.6)	.115 (2.9)		
MNI-4-3		.046 (1.2)	.235 (6)		.145 (3.7)			
MNI-4-4		.063 (1.6)						
MNI-4-5		.084 (2.1)						
MNI-4-6		.093 (2.4)						
MNI-4-8		.125 (3.2)						
MNI-4-10		.156 (4)						
MNI-4-12		.187 (4.7)						
MNI-4-16	.250 (6.4)							
MNI-4-24	.375 (9.5)							
MNI-5-3	#5 (M3)	.051 (1.3)	.370 (9.4)	.236 (6)	.128 (3.3)	RMS-48		
MNI-6-2	#6 (M3.5)	.031 (0.8)	.290 (7.4)	.063 (1.6)	.170 (4.3)	.140 (3.6)	RMS-01	
MNI-6-4		.063 (1.6)					RMS-48	
MNI-6-6		.093 (2.4)					RMS-01	
MNI-6-8		.125 (3.2)					RMS-48	
MNI-6-12		.187 (4.7)					RMS-01	
MNI-6-16		.250 (6.4)					RMS-48	
MNI-6-24		.375 (9.5)					RMS-01	
MNI-6-32		.500 (12.7)					RMS-48	
MNI-8-2	#8 (M4)	.031 (0.8)	.344 (8.7)		.063 (1.6)	.205 (5.2)	.173 (4.4)	RMS-01
MNI-8-4		.063 (1.6)						RMS-48
MNI-8-6		.093 (2.4)		RMS-01				
MNI-8-8		.125 (3.2)		RMS-48				
MNI-8-12		.187 (4.7)		RMS-01				
MNI-8-16		.250 (6.4)		RMS-48				
MNI-8-24		.375 (9.5)		RMS-01				
MNI-8-32		.500 (12.7)		RMS-48				
MNI-10-2	#10 (M5)	.031 (0.8)	.399 (10.1)	.063 (1.6)		.260 (6.6)	.200 (5.1)	RMS-01
MNI-10-4		.063 (1.6)						RMS-48
MNI-10-6		.093 (2.4)			RMS-01			
MNI-10-8		.125 (3.2)			RMS-48			
MNI-10-12		.187 (4.7)			RMS-01			
MNI-10-16		.250 (6.4)			RMS-48			
MNI-10-24		.375 (9.5)			RMS-01			
MNI-10-32		.500 (12.7)			RMS-48			
MNI1/4-2	1/4 (M6)	.031 (0.8)	.513 (13)		.065 (1.7)	.312 (7.9)	.260 (6.6)	RMS-01
MNI1/4-4		.063 (1.6)						RMS-48
MNI1/4-6		.093 (2.4)		RMS-01				
MNI1/4-12		.187 (4.7)		RMS-48				
MNI1/4-16		.250 (6.4)		RMS-01				
MNI1/4-24		.375 (9.5)		RMS-48				
MNI1/4-32		.500 (12.7)		RMS-01				
MNI5/16-6		5/16 (M8)		.093 (2.4)				.620 (15.7)
MNI5/16-12	.187 (4.7)		RMS-48					
MNI5/16-16	.250 (6.4)		RMS-01					
MNI-M2.5-1.3	M2.5	.051 (1.3)	.248 (6.3)	.047 (1.2)	.138 (3.5)	.114 (2.9)	RMS-48	
MNI-M2.5-3.6		.142 (3.6)	.280 (7.1)	.059 (1.5)	.150 (3.8)	.110 (2.8)	RMS-01	
MNIM3-1.0	M3	.039 (1)	.280 (7.1)	.039 (1)	.150 (3.8)	.122 (3.1)	RMS-48	
MNIM3-1.3		.051 (1.3)	.347 (8.8)	.047 (1.2)	.236 (6)	.126 (3.2)	RMS-01	
MNI M3-2.5		.098 (2.5)	.280 (7.1)	.039 (1)	.150 (3.8)	.122 (3.1)	RMS-48	
MNIM3-3.5		.137 (3.5)	.280 (7.1)	.039 (1)	.150 (3.8)	.122 (3.1)	RMS-01	



NOTES:
1. MATERIAL: NYLON 6/6 UL 94 V-2
- NYLON 4/6 UL 94 V-2 (RMS-109),
AVAILABLE BY SPECIAL ORDER ONLY.
TO ORDER ADD "-109" TO THE END OF PART NO.
2. COLOR: NATURAL

REV.	DESCRIPTION	ENGR.	DATE
S	SEE CO 200773 FOR CHANGES	SK	04.30.12
R	SEE CO 200581 FOR CHANGES	SK	09/14/10
Q	SEE CO 200403 FOR CHANGES	SK	07/31/09
P	SEE CO 200276 FOR CHANGES	SK	11/12/08
-	SEE ENGINEERING FOR REV A-O	-	-

TITLE: MOLDED NYLON INSULATORS				DWG IN [MM]		FINAL	
CREATED USING SOLIDWORKS	FILE #: MNI	DWN: SM	APP: SM	PART #			
TOLERANCES UNLESS NOTED .XX=±.010 .XXX=±.005 FRAC.=±1/64 ANG.=±1°	SHEET: 1 OF 1	SHEET SIZE: B	DT: 10/01/04	CHKD: SJ	SEE TABLE		
RE: RICHCO, INC.		RICHCO, INC. ENG@RICHCO-INC.COM (773) 539-4060		PRINT TYPE CA			