



Chipsmall Limited consists of a professional team with an average of over 10 year of expertise in the distribution of electronic components. Based in Hongkong, we have already established firm and mutual-benefit business relationships with customers from,Europe,America and south Asia,supplying obsolete and hard-to-find components to meet their specific needs.

With the principle of “Quality Parts,Customers Priority,Honest Operation,and Considerate Service”,our business mainly focus on the distribution of electronic components. Line cards we deal with include Microchip,ALPS,ROHM,Xilinx,Pulse,ON,Everlight and Freescale. Main products comprise IC,Modules,Potentiometer,IC Socket,Relay,Connector.Our parts cover such applications as commercial,industrial, and automotives areas.

We are looking forward to setting up business relationship with you and hope to provide you with the best service and solution. Let us make a better world for our industry!



Contact us

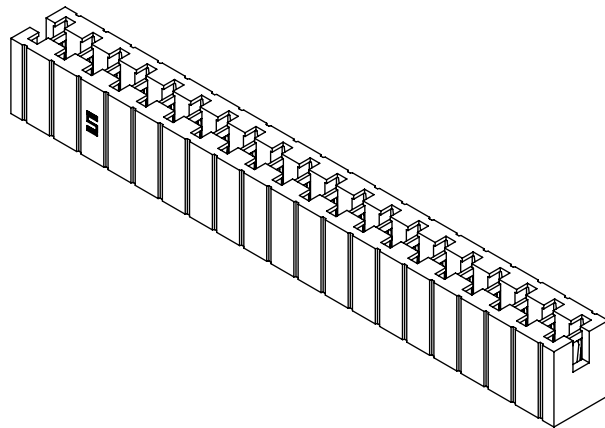
Tel: +86-755-8981 8866 Fax: +86-755-8427 6832

Email & Skype: info@chipsmall.com Web: www.chipsmall.com

Address: A1208, Overseas Decoration Building, #122 Zhenhua RD., Futian, Shenzhen, China



DO NOT
SCALE FROM
THIS PRINT



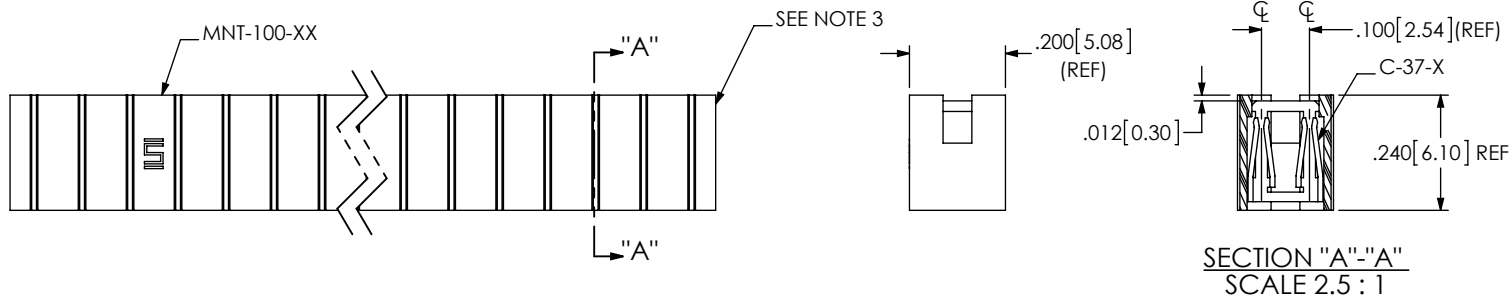
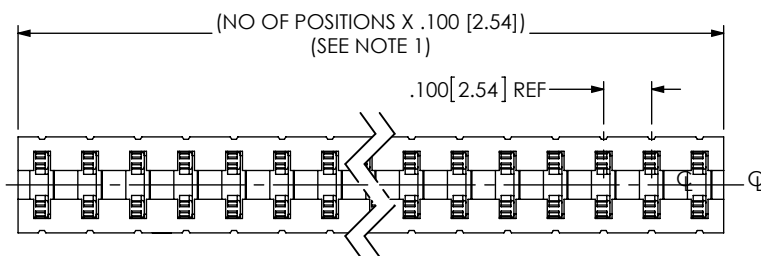
MNT-1XX-XX-X

No OF POSITION
-01 THRU -20

LEAD STYLE
SPECIFY COLOR IN BODY SUFFIX -XX
BK = BLACK

PLATING SPECIFICATION

-T: MATTE TIN
-G: 10μ" GOLD IN CONTACT
AREA, MATTE TIN ON REMAINDER
-H: 30μ" GOLD IN CONTACT
AREA, MATTE TIN REMAINDER



NOTES:

1. MULTI-CUT WIDTH TOLERANCED TO $\pm .015$ [0.38] REPRESENTS A CRITICAL DIMENSION. ROTO-CUT WIDTH TOLERANCED TO $\pm .010$ [0.25].
2. MINIMUM RETENTION: 24 oz
3. ENDWALL AFTER CUTTING $.0245 \pm .010$ [.622 ± .25]
4. .015[0.38] MAXIMUM CUT FLASH. LOOSE CUT FLASH MUST BE REMOVED.

UNLESS OTHERWISE SPECIFIED, DIMENSIONS ARE IN INCHES.
TOLERANCES ARE:
DECIMALS ANGLES
.XX: $\pm .01$ [.3] 2°
.XXX: $\pm .005$ [.13]
.XXXX: $\pm .0020$ [.051]

PROPRIETARY NOTE
THIS DOCUMENT CONTAINS CONFIDENTIAL AND PROPRIETARY INFORMATION AND ALL DESIGN, MANUFACTURING, REPRODUCTION, USE, PATENT RIGHTS AND SALES RIGHTS ARE EXPRESSLY RESERVED BY SAMTEC, INC. THIS DOCUMENT SHALL NOT BE DISCLOSED, IN WHOLE OR PART, TO ANY UNAUTHORIZED PERSON OR ENTITY NOR REPRODUCED, TRANSFERRED OR INCORPORATED IN ANY OTHER PROJECT IN ANY MANNER WITHOUT THE EXPRESS WRITTEN CONSENT OF SAMTEC, INC.



520 PARK EAST BLVD, NEW ALBANY, IN 47150
PHONE: 812-944-6733 FAX: 812-948-5047
e-Mail info@SAMTEC.com code 53322

DO NOT SCALE DRAWING SHEET SCALE: 3:1
INSULATOR: LCP, UL 94 V-O, COLOR BLACK
50% REGRIND
TERMINAL: BeCu, 1/2 HARD, AGE HARDENED
F:\DWG\MISC\MKTG\MNT-1XX-XX-X-MKT.SLDDRW

DESCRIPTION:
.050 .050 EDGE MOUNT SOCKET STRIP DUAL ROW ASSEMBLY
DWG. NO. MNT-1XX-XX-X
BY: KOLB 2-20-89 SHEET 1 OF 1