



Chipsmall Limited consists of a professional team with an average of over 10 year of expertise in the distribution of electronic components. Based in Hongkong, we have already established firm and mutual-benefit business relationships with customers from,Europe,America and south Asia,supplying obsolete and hard-to-find components to meet their specific needs.

With the principle of “Quality Parts,Customers Priority,Honest Operation,and Considerate Service”,our business mainly focus on the distribution of electronic components. Line cards we deal with include Microchip,ALPS,ROHM,Xilinx,Pulse,ON,Everlight and Freescale. Main products comprise IC,Modules,Potentiometer,IC Socket,Relay,Connector.Our parts cover such applications as commercial,industrial, and automotives areas.

We are looking forward to setting up business relationship with you and hope to provide you with the best service and solution. Let us make a better world for our industry!



## Contact us

Tel: +86-755-8981 8866 Fax: +86-755-8427 6832

Email & Skype: info@chipsmall.com Web: www.chipsmall.com

Address: A1208, Overseas Decoration Building, #122 Zhenhua RD., Futian, Shenzhen, China



# Mini-Mox



## 0.25 Watt and 0.5 Watt Precision Thick Film Axial Terminal High Voltage/High Resistance



### FEATURES

- RoHS compliant
- Wide resistance ranges
- Epoxy coating
- Metal oxide resistive element

### APPLICATIONS

- Avionics
- Medical electronics
- High gain feedback applications
- Current pulse limiters
- Vacuum and space application

The Mini-Mox resistor is very versatile, covering a wide resistance range as well as a wide range of operating voltages. Provided with tolerances down to 1%, the Mini-Mox resistor works well in precision circuits.

### SERIES SPECIFICATIONS

Ohmite Series	Resistance Range (Ohms)	Power @25°C	Voltage Rating	Available Tolerances*
MOX200	500K to 1,500M	0.25W	500V	0.1% to 20%
MOX300	500K to 2,500M	0.50W	1,000V	0.1% to 20%

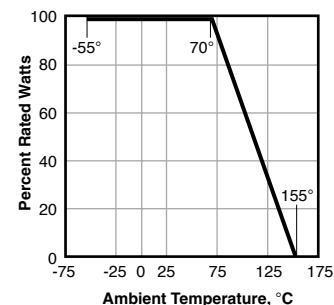
\*Some tolerances are not available over the entire resistance range.

### CHARACTERISTICS

<b>Resistor</b>	Metal Oxide		
<b>Coating</b>	Epoxy		
<b>Core</b>	Alumina		
<b>Terminals</b>	Solder-coated axial. RoHS solder composition is 96% Sn, 3.5% Ag, 0.5% Cu		
<b>Resistance Range</b>	500K to 1,500MΩ		
<b>Power Rating</b>	0.25W to 0.5W		
<b>Voltage Rating</b>	500V to 1,000V		
<b>Tolerance</b>	0.1% to 20%		
	<b>Tolerance</b>	<b>Maximum Value Available</b>	
		<b>MOX200</b>	<b>MOX300</b>
	0.10%	10MΩ	10MΩ
	0.25%	10MΩ	10MΩ
	0.50%	10MΩ	10MΩ
	1%-20%	1500MΩ	2500MΩ
<b>Operating Temperature</b>	-55°C to +155°C		
<b>Max. Overload Voltage</b>	1,000V (MOX200); 1,500V (MOX300)		
<b>Max. Pulse Voltage</b>	1,500V (MOX200); 3,000V (MOX300)		
<b>Temp. Coeff. of Resistance</b>	<b>Series</b>	<b>100 PPM/°C</b>	<b>200 PPM/°C</b> <b>300 PPM/°C</b>
	MOX200	500K-100MΩ	101M-1000MΩ    1001M-1500MΩ
	MOX300	500K-100MΩ	101M-1000MΩ    1001M-2500MΩ

Characteristic	Test Method	Specification
<b>Short time overload</b>	Rated Power x2.5, 5 sec.	±0.5% max.
<b>Resistance to soldering heat</b>	260°C ±5°C, 10 ±1 sec.	±0.5% max.
<b>Temperature cycling</b>	-55°C/+155°C, 5 cycles	±0.5% max.
<b>Withstanding voltage</b>	500 VDC, 60 ±10 sec.	±0.5% max.
<b>Insulation resistance</b>	500 VDC	10,000MΩ or more
<b>Moisture resistance</b>	40°C ±2°C, 90-95%RH, 1000 hr.	±1.5% max.
<b>Load life</b>	70°C ±3°C, 1000 hr.	±2% max.

### Derating



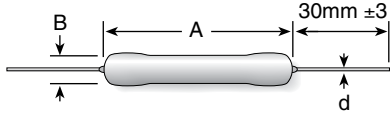
(continued)

# Mini-Mox

## 0.25 Watt and 0.5 Watt Precision Thick Film Axial Terminal High Voltage/High Resistance

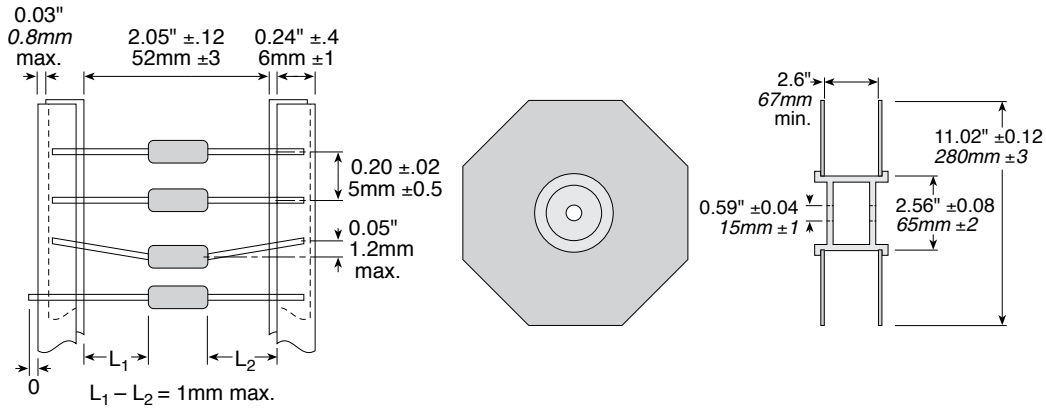
### DIMENSIONS

(mm)



Series	Power Rating	A ±0.5mm (in/mm)	B ±0.5mm (in/mm)	d ±0.05mm (in/mm)
MOX200	0.25W	0.26" / 6.5	0.09" / 2.2	0.024" / 0.6
MOX300	0.50W	0.35" / 9	0.13" / 3.3	0.025" / 0.65

### Tape and reel



### HOW TO ORDER

		RoHS Compliant	Tape and reel 2500 qty./reel std.
<b>MOX200001003FER</b>			
<b>Mini Mox Series</b> MOX-20000 or MOX-30000	<b>Ohms</b> First 3 digits are significant; 4th digit is multiplier (# of zeroes to follow). Examples: 10R2 = 10.2 ohms 1000 = 100 ohms 1503 = 150,000 ohms	<b>Tolerance</b> B = 0.10% G = 2% C = 0.25% J = 5% D = 0.5% K = 10% F = 1% M = 15% P = 20%	