



Chipsmall Limited consists of a professional team with an average of over 10 year of expertise in the distribution of electronic components. Based in Hongkong, we have already established firm and mutual-benefit business relationships with customers from,Europe,America and south Asia,supplying obsolete and hard-to-find components to meet their specific needs.

With the principle of "Quality Parts,Customers Priority,Honest Operation,and Considerate Service",our business mainly focus on the distribution of electronic components. Line cards we deal with include Microchip,ALPS,ROHM,Xilinx,Pulse,ON,Everlight and Freescale. Main products comprise IC,Modules,Potentiometer,IC Socket,Relay,Connector.Our parts cover such applications as commercial,industrial, and automotives areas.

We are looking forward to setting up business relationship with you and hope to provide you with the best service and solution. Let us make a better world for our industry!



## Contact us

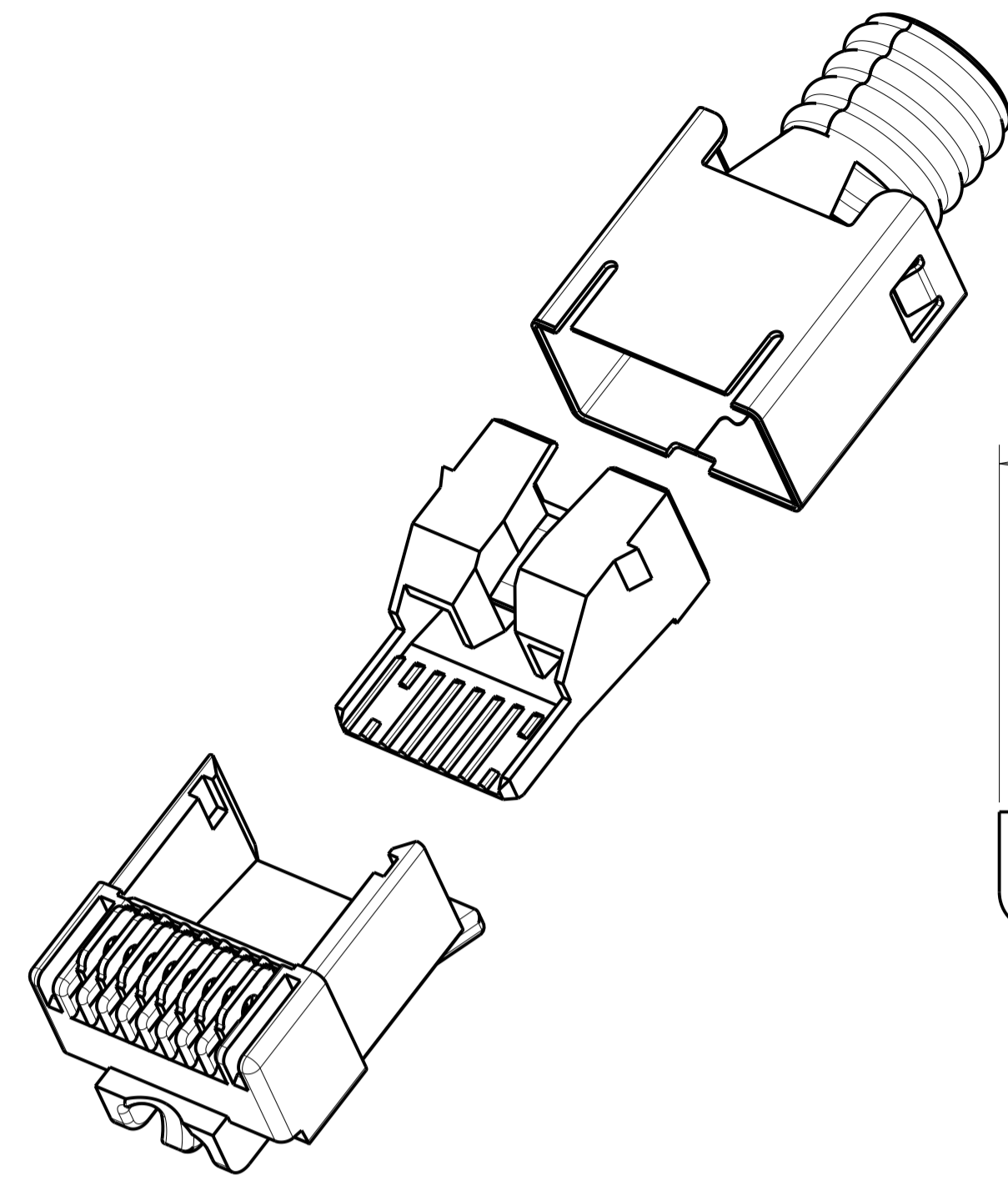
Tel: +86-755-8981 8866 Fax: +86-755-8427 6832

Email & Skype: info@chipsmall.com Web: www.chipsmall.com

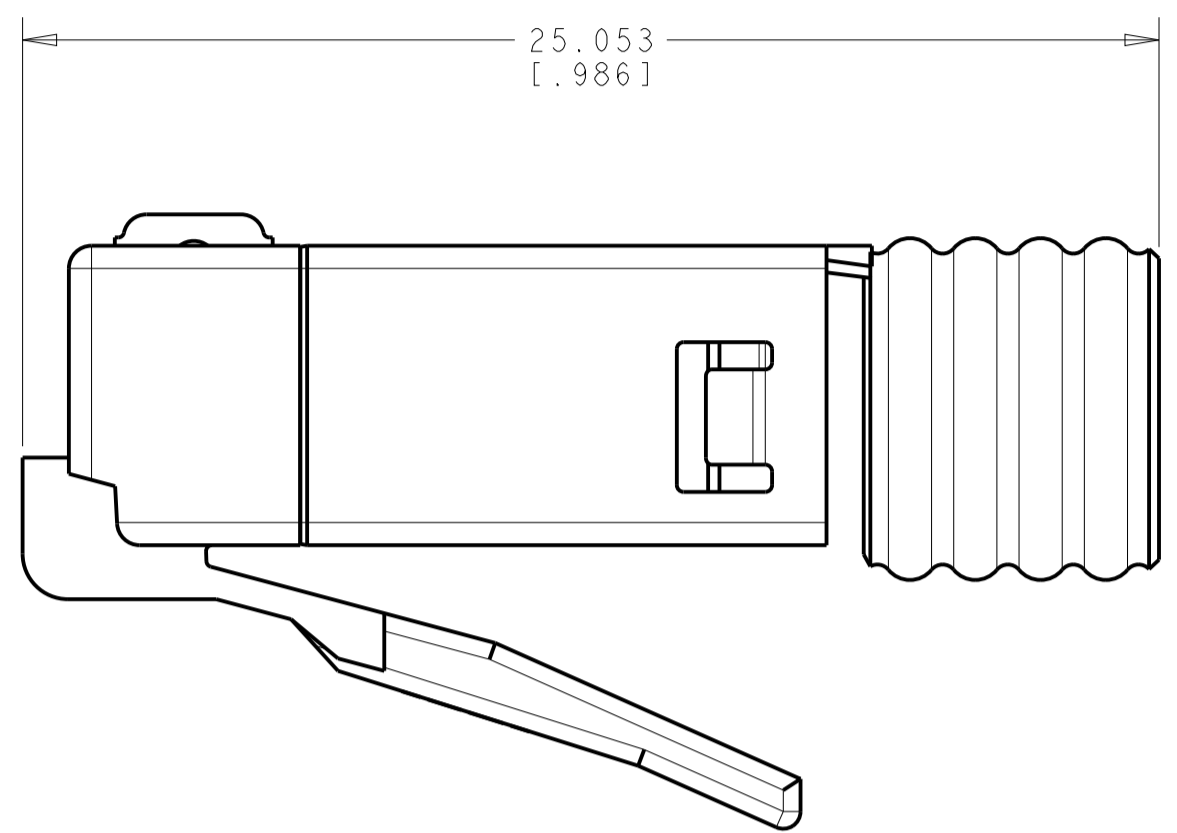
Address: A1208, Overseas Decoration Building, #122 Zhenhua RD., Futian, Shenzhen, China



REVISIONS				
REV	LTN	DESCRIPTION	DATE	APP'D
A		RLSD; 40023241MCO	14JULY2015	GG DC
A1		REV; 40032903MCO	15AUG2016	GG JG
B		REV PER ECN 8000018345	01MAR2017	GG MS



# MP-6S-



FULLY ASSEMBLED

**DIAMETER TABLE**

A: 4.7 - 5.5 MM  
[.185 - .217] IN

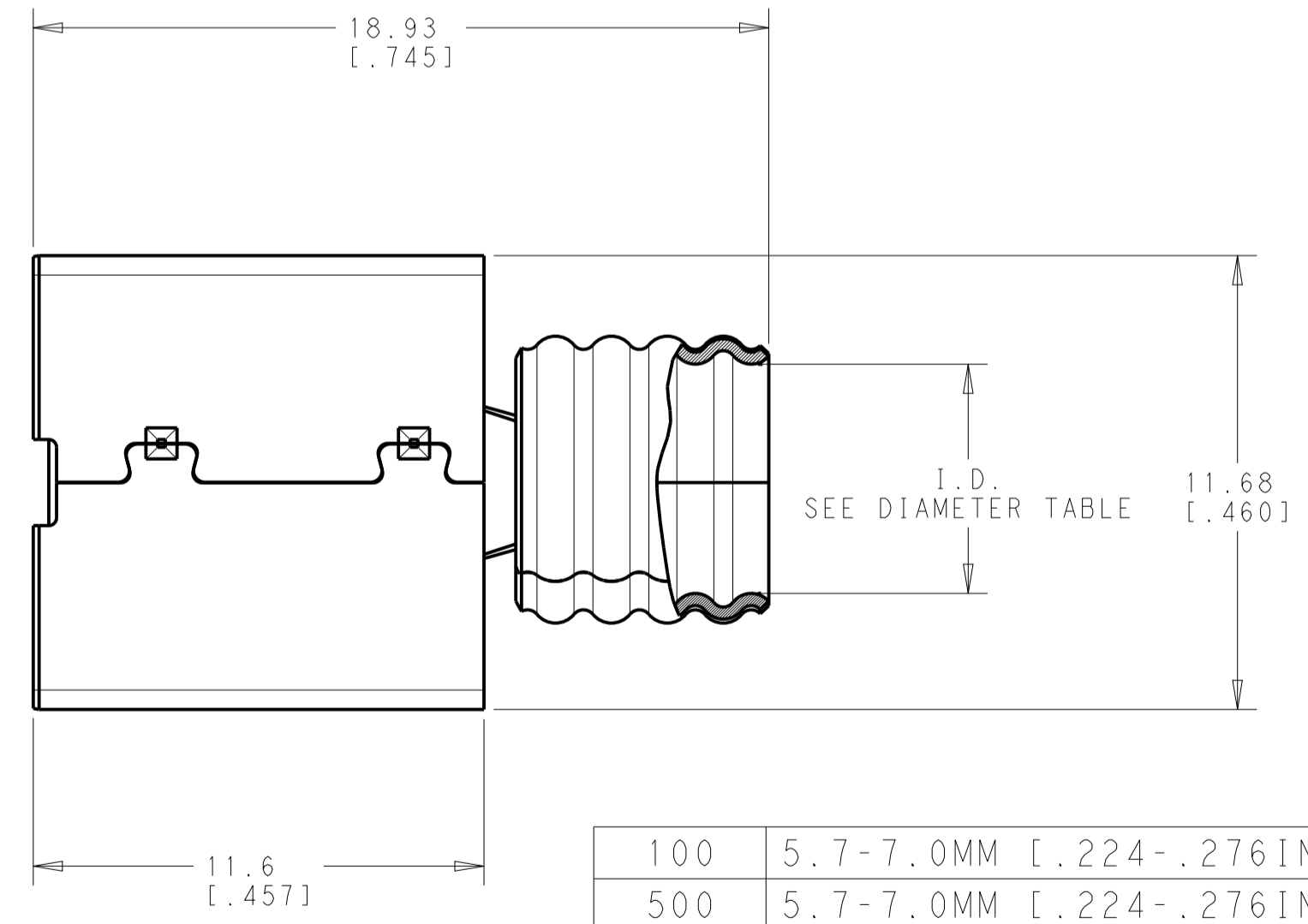
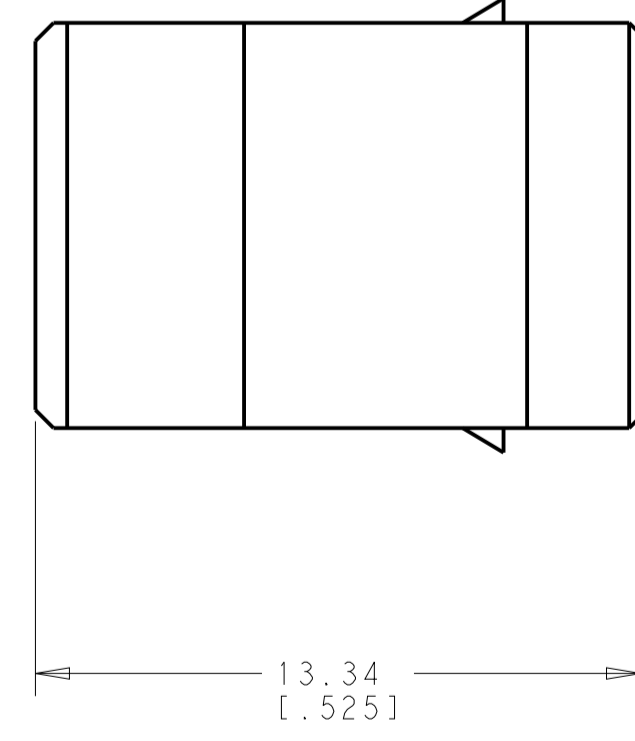
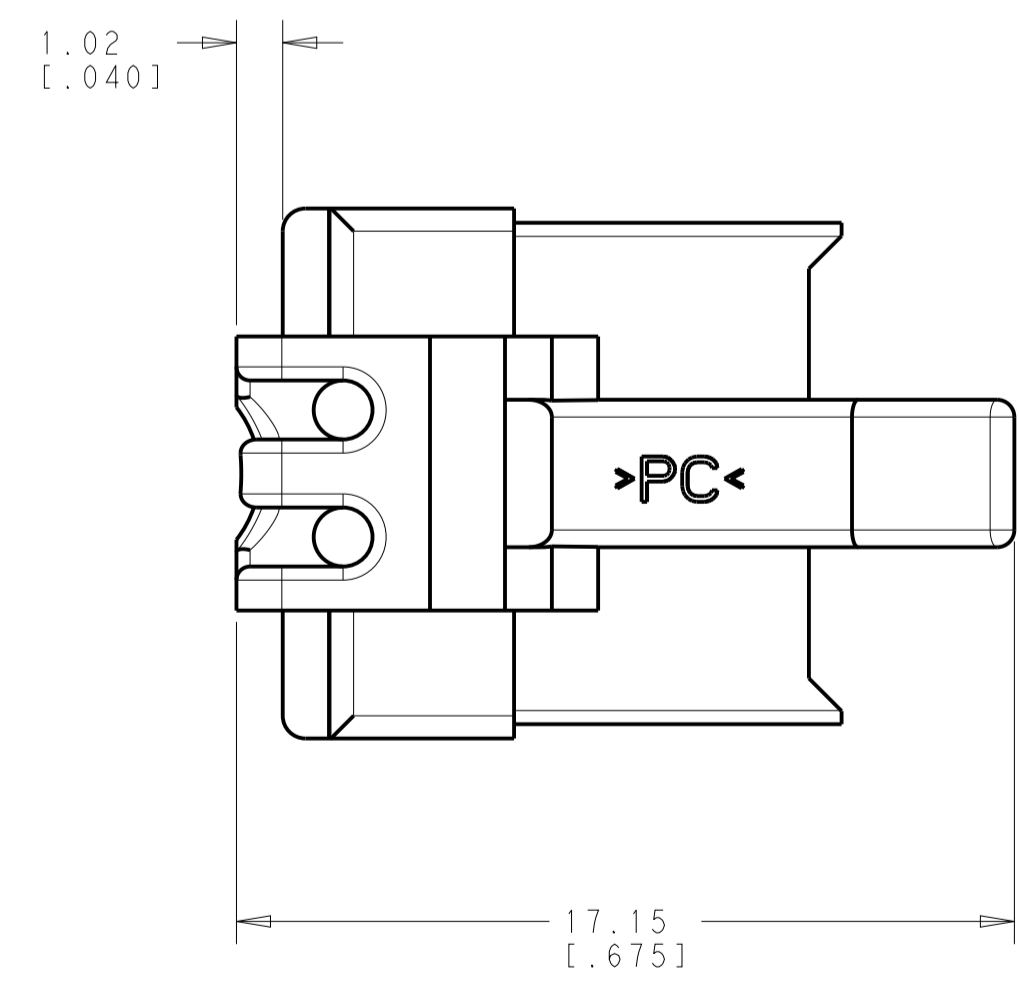
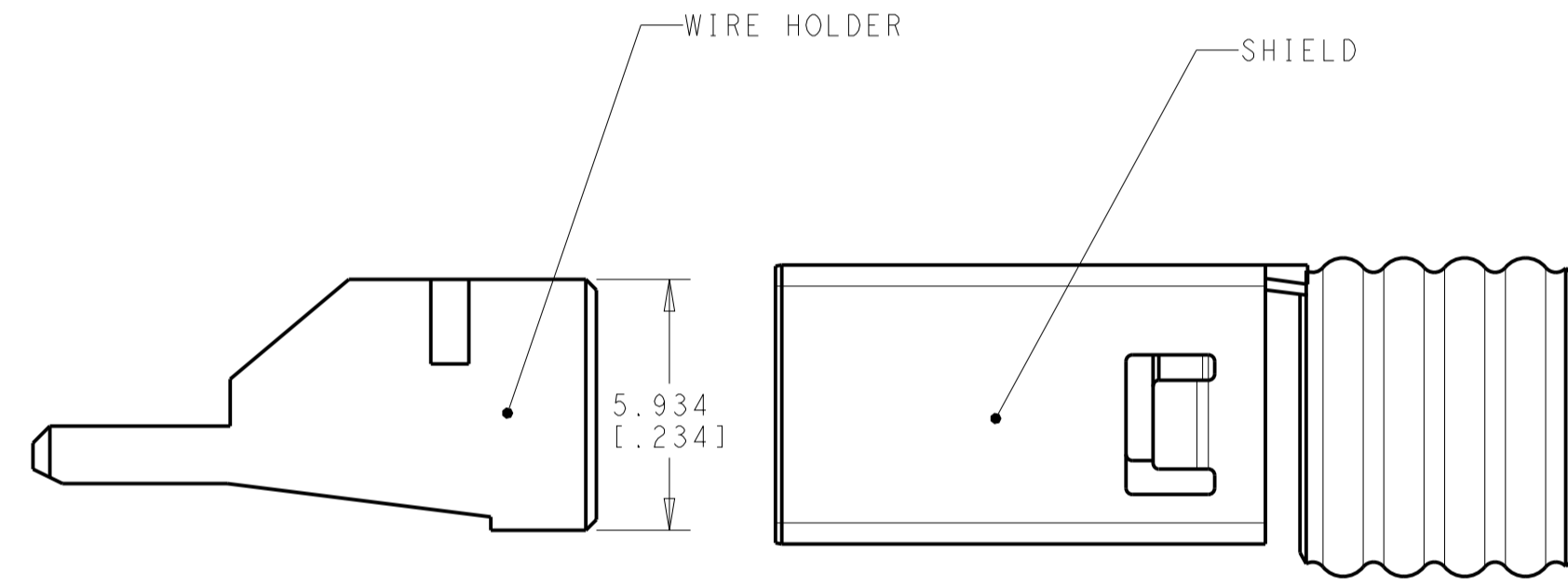
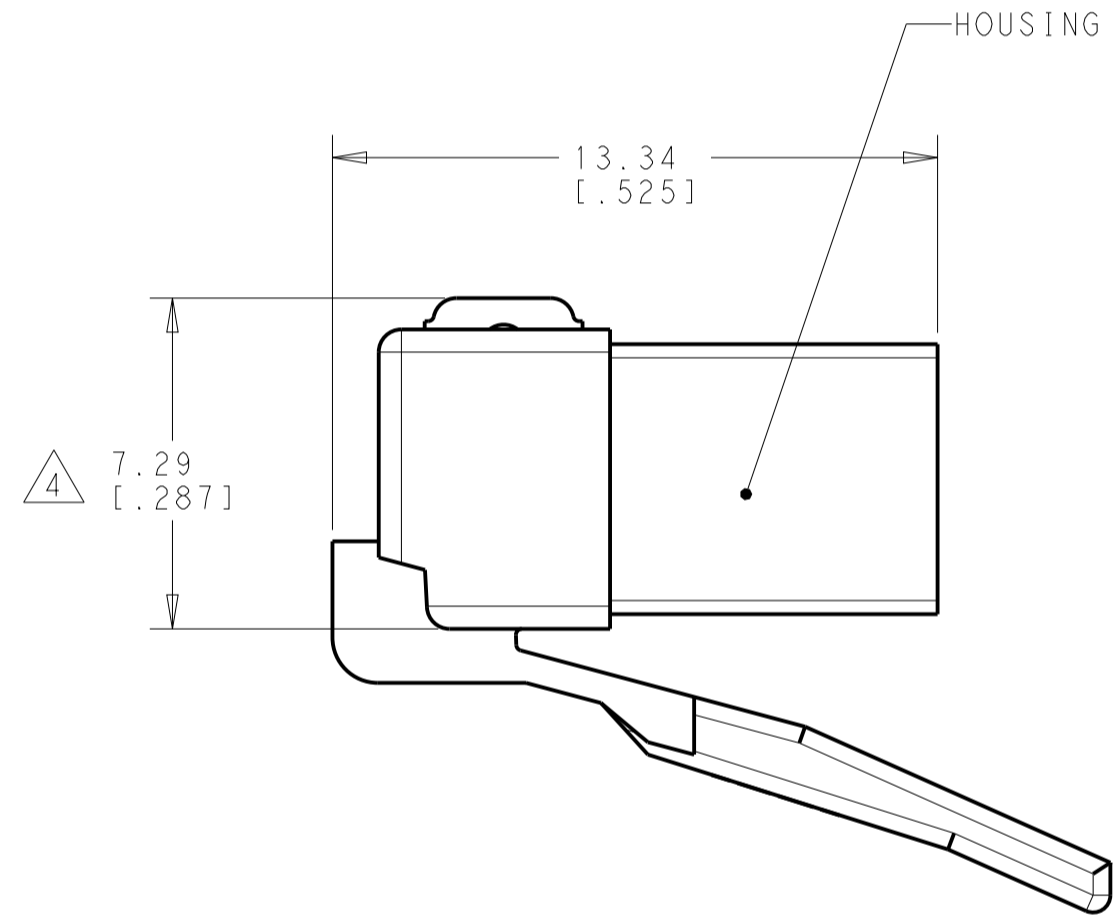
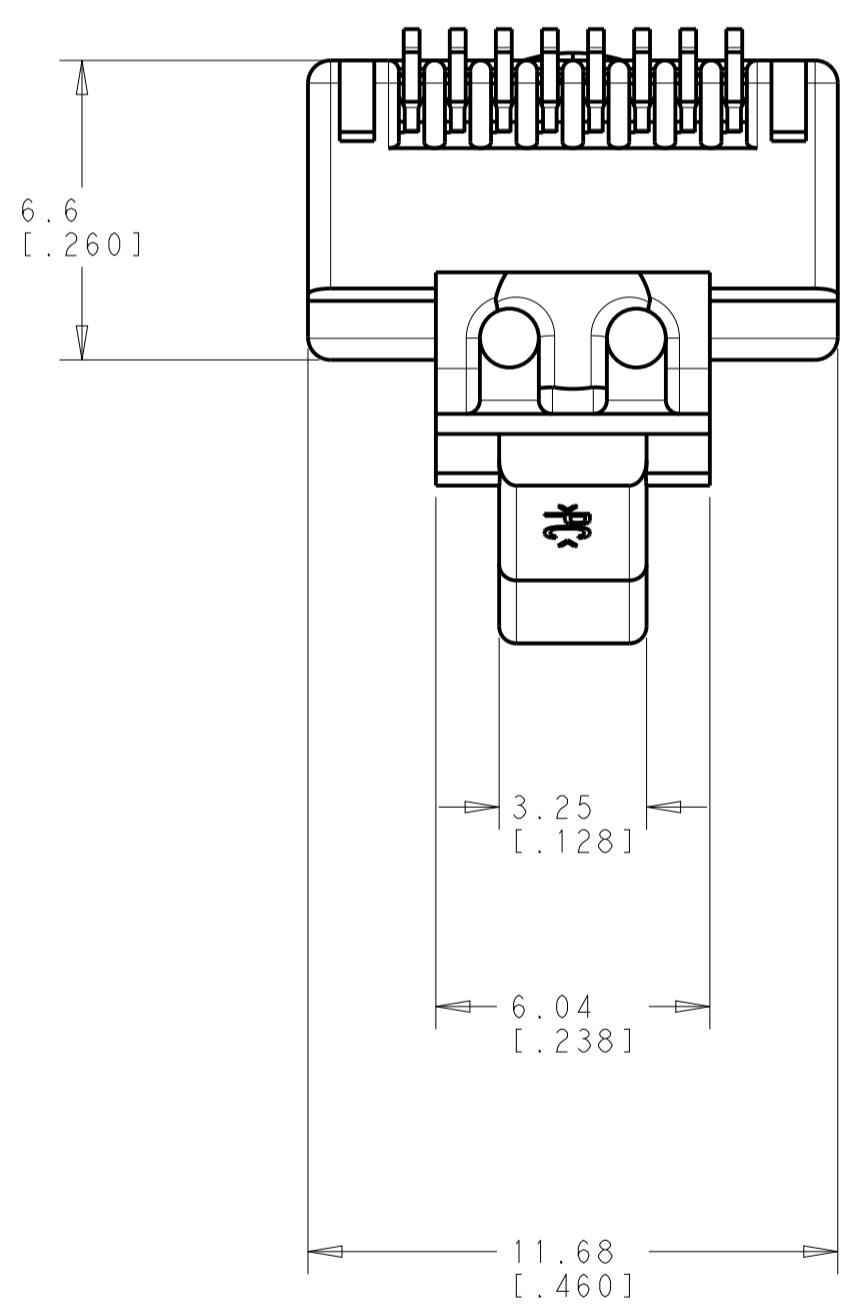
B: 5.1 - 6.0 MM  
[.201 - .236] IN

C: 5.7 - 7.0 MM  
[.224 - .276] IN

**PACKAGE SIZE**

5 = 500  
1 = 100

- 1. MATERIAL: HOUSING - 94V-0 RATED POLYCARBONATE CLEAR  
 TERMINAL - 0.305 [0.012] THICK PHOSPHOR BRONZE PLATED WITH 1.27 μm [0.00005] MINIMUM THICK GOLD IN LOCALIZED AREA, OVER 2.54 μm [0.000100] MINIMUM THICK NICKEL UNDERPLATE.  
 WIRE HOLDER - POLYCARBONATE CLEAR.  
 SHIELD - BRASS WITH 0.8 μm [0.00031] MINIMUM NICKEL PLATED.
- 2. DIMENSIONS ARE NOMINAL UNLESS OTHERWISE SPECIFIED.
- 3. PLUG WILL ACCEPT A 24-26 AWG STRANDED CONDUCTOR WITH A SINGLE INSULATION OF 0.89 - 1.02 [0.035 - .040] OR 23-24 AWG SOLID CONDUCTOR WITH A SINGLE INSULATION OF 0.89 - 1.02 [0.035 - .040].
- 4. TERMINATED DIMENSION 5.89 [0.232] - 6.15 [0.242].
- 5. SLIM-LINE MODULAR PLUG BOOT, PN 2153257-1 FOR "C" VERSION AND PN 2153256-1 FOR "A" OR "B" VERSION.
- 6. UL RECOGNIZED: FILE NUMBER E81956.



PACKAGE	CABLE DIAMETER	MATERIAL	CATALOG NUMBER
100	5.7-7.0MM [.224-.276IN]	6-2111989-3	MP-6S-C-1
500	5.7-7.0MM [.224-.276IN]	6-2111989-2	MP-6S-C-5
100	5.1-6.0MM [.201-.236IN]	6-2111979-3	MP-6S-B-1
500	5.1-6.0MM [.201-.236IN]	6-2111979-2	MP-6S-B-5
100	4.7-5.5MM [.185-.217IN]	6-2111977-3	MP-6S-A-1
500	4.7-5.5MM [.185-.217IN]	6-2111977-2	MP-6S-A-5

THIS DRAWING IS A CONTROLLED DOCUMENT. **COMMSCOPE, INC.**

OWNER: G. GARRETT 17APR2015  
 CHK: J. GENIAC 17APR2015  
 APVD: J. GENIAC 17APR2015

DIMENSIONS: mm [inches]  
 TOLERANCES UNLESS OTHERWISE SPECIFIED:  
 0 PLC ± .015  
 1 PLC ± .010  
 2 PLC ± .008  
 3 PLC ± .007  
 4 PLC ± .005  
 ANGLES ± .010

MATERIAL: POLYCARBONATE CLEAR  
 FINISH: NICKEL PLATED

NAME: KIT, MOD PLUG, CATEGORY 6, SHIELDED, CABLE RANGE 4.7 TO 7.0  
 PRODUCT SPEC: -  
 APPLICATION SPEC: -  
 WEIGHT: -  
 SIZE: A1  
 CAGE CODE: -  
 DRAWING NO: C=2843002  
 SCALE: 6:1  
 SHEET: 1 OF 1  
 REV: B