



Chipsmall Limited consists of a professional team with an average of over 10 year of expertise in the distribution of electronic components. Based in Hongkong, we have already established firm and mutual-benefit business relationships with customers from,Europe,America and south Asia,supplying obsolete and hard-to-find components to meet their specific needs.

With the principle of "Quality Parts,Customers Priority,Honest Operation,and Considerate Service",our business mainly focus on the distribution of electronic components. Line cards we deal with include Microchip,ALPS,ROHM,Xilinx,Pulse,ON,Everlight and Freescale. Main products comprise IC,Modules,Potentiometer,IC Socket,Relay,Connector.Our parts cover such applications as commercial,industrial, and automotives areas.

We are looking forward to setting up business relationship with you and hope to provide you with the best service and solution. Let us make a better world for our industry!



Contact us

Tel: +86-755-8981 8866 Fax: +86-755-8427 6832

Email & Skype: info@chipsmall.com Web: www.chipsmall.com

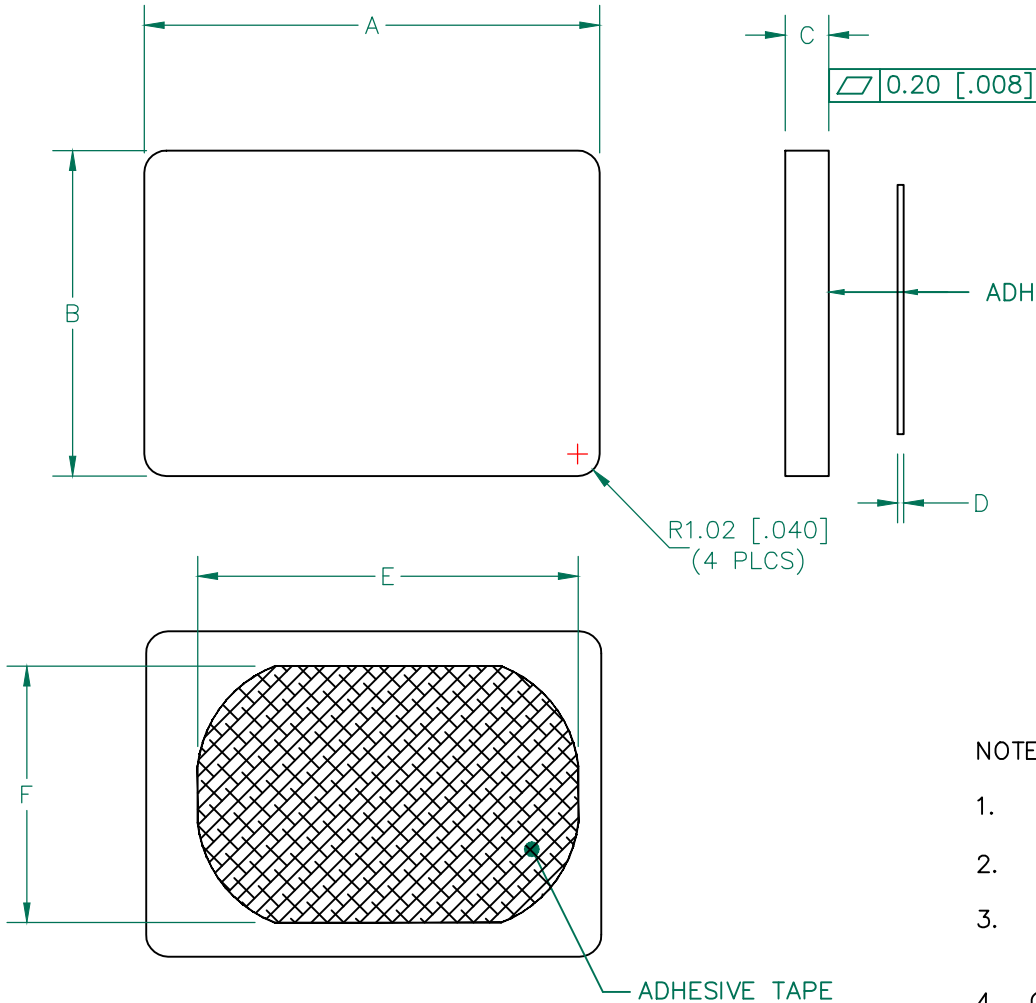
Address: A1208, Overseas Decoration Building, #122 Zhenhua RD., Futian, Shenzhen, China



SCALE DRAWING 1:1

MP0590-200

UNCONTROLLED DOCUMENT



NOTES:

1. CORE: MP0590-2B0.
2. ADHESIVE: P/N 21216
3. REFERENCE 3M TAPE 468MP ADHESIVE TRANSFER TAPE OR ENGINEER APPROVED ALTERNATIVE.
4. COSMETIC SPECIFICATION REFER TO WI-QA-038.

DIMENSIONS:

A	21.00 [.827]	±	0.42 [.017]
B	15.00 [.591]	±	0.30 [.012]
C	2.00 [.079]	±	0.08 [.003]
D	0.13 [.005]	±	TYP.
E	17.78 [.700]	±	TYP.
F	11.94 [.470]	±	TYP.

WEIGHT/1000 3.12 kgs [6.88 Lbs]

DIMENSIONS ARE IN mm [INCHES].				This print is the property of Laird Tech. and is loaned in confidence subject to return upon request and with the understanding that no copies shall be made without the written consent of Laird Tech. All rights to design or invention are reserved.	
J	UPDATE THE LOGO	06/19/15	QIU		
H	CHANGE DIMENSION D	07/09/09	JRK		
G	REMOVE PULLTAB REVISE NOTE #3	06/11/09	JRK		
F	UPDATE COMPANY LOGO & NOTE #3	12/11/08	JRK		
E	STANDARDIZE PRINT FORMAT(SeeCoverSheet)	01/26/06	JRK		
D	REV PULL TAB TO MATCH PUR.PRINT 21216	04/08/05	JRK		
C	ADD NOTE #2	09/27/04	JRK		
B	ADD PART WEIGHT	04/06/04	TMB		
A	ORIGINAL DRAFT	02/20/04	JRK		
REV	DESCRIPTION	DATE	INT		
PROJECT/PART NUMBER: MP0590-200				REV: J	PART TYPE: FERRITE PLATE
DATE: 02/20/04				SCALE: 3 : 1	MATERIAL: Ferrite
CAD # MP0590-200-J				TOOL # P0590	
				DRAWN BY: JRK	