



Chipsmall Limited consists of a professional team with an average of over 10 year of expertise in the distribution of electronic components. Based in Hongkong, we have already established firm and mutual-benefit business relationships with customers from,Europe,America and south Asia,supplying obsolete and hard-to-find components to meet their specific needs.

With the principle of “Quality Parts,Customers Priority,Honest Operation,and Considerate Service”,our business mainly focus on the distribution of electronic components. Line cards we deal with include Microchip,ALPS,ROHM,Xilinx,Pulse,ON,Everlight and Freescale. Main products comprise IC,Modules,Potentiometer,IC Socket,Relay,Connector.Our parts cover such applications as commercial,industrial, and automotives areas.

We are looking forward to setting up business relationship with you and hope to provide you with the best service and solution. Let us make a better world for our industry!




Contact us

Tel: +86-755-8981 8866 Fax: +86-755-8427 6832

Email & Skype: info@chipsmall.com Web: www.chipsmall.com

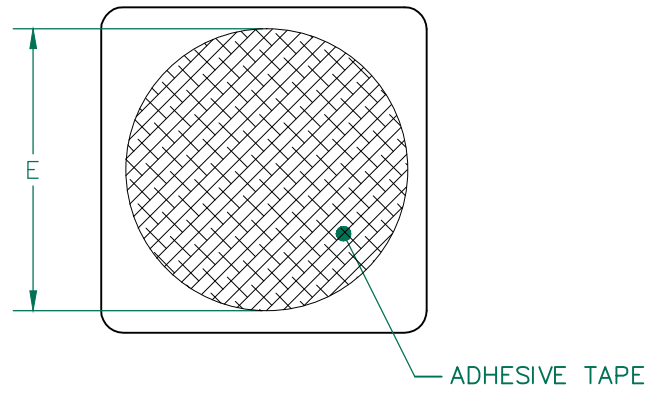
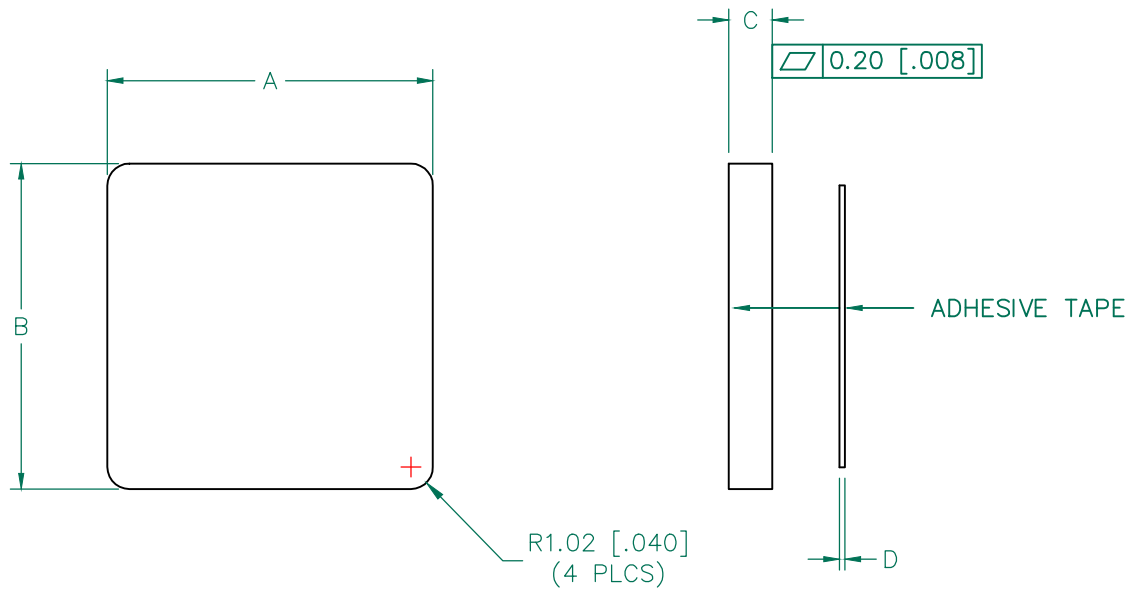
Address: A1208, Overseas Decoration Building, #122 Zhenhua RD., Futian, Shenzhen, China



SCALE DRAWING 1:1

 MP0591-200



UNCONTROLLED DOCUMENT




NOTES:

1. CORE: MP0591-2B0.
2. ADHESIVE: P/N 21212.
3. REFERENCE 3M TAPE 468MP ADHESIVE TRANSFER TAPE OR ENGINEER APPROVED ALTERNATIVE.
4. COSMETIC SPECIFICATION REFER TO WI-QA-038.

DIMENSIONS:

A	15.00 [.591]	±	0.30 [.012]
B	15.00 [.591]	±	0.30 [.012]
C	2.00 [.079]	±	0.08 [.003]
D	0.13 [.005]	±	TYP.
E	13.00 [.512]	±	TYP.

WEIGHT/1000 2.23 kgs [4.92 Lbs]

DIMENSIONS ARE IN mm [INCHES].				This print is the property of Laird Tech. and is loaned in confidence subject to return upon request and with the understanding that no copies shall be made without the written consent of Laird Tech. All rights to design or invention are reserved.				
REV	DESCRIPTION	DATE	INT					REV
H	UPDATE THE LOGO	06/19/15	QIU	PROJECT/PART NUMBER:		H	FERRITE PLATE	JRK
G	CHANGE D DIMENSION	07/09/09	JRK	MP0591-200				
F	REMOVE PULLTAB REVISE NOTE #3	06/11/09	JRK	DATE:	02/20/04	SCALE:	3 : 1	MATERIAL:
E	UPDATE COMPANY LOGO AND NOTE #3	12/11/08	JRK	CAD #	MP0591-200-H	TOOL #	P0591	Ferrite
D	STANDARDIZE PRINT FORMAT(SeeCoverSheet)	01/23/06	JRK					
C	ADD NOTE #3. ADD ADHESIVE P/N	10/04/04	JRK					
B	ADD PART WEIGHT	04/06/04	TMB					
A	ORIGINAL DRAFT	02/20/04	JRK					
REV	DESCRIPTION	DATE	INT					