



Chipsmall Limited consists of a professional team with an average of over 10 year of expertise in the distribution of electronic components. Based in Hongkong, we have already established firm and mutual-benefit business relationships with customers from,Europe,America and south Asia,supplying obsolete and hard-to-find components to meet their specific needs.

With the principle of "Quality Parts,Customers Priority,Honest Operation,and Considerate Service",our business mainly focus on the distribution of electronic components. Line cards we deal with include Microchip,ALPS,ROHM,Xilinx,Pulse,ON,Everlight and Freescale. Main products comprise IC,Modules,Potentiometer,IC Socket,Relay,Connector.Our parts cover such applications as commercial,industrial, and automotives areas.

We are looking forward to setting up business relationship with you and hope to provide you with the best service and solution. Let us make a better world for our industry!



Contact us

Tel: +86-755-8981 8866 Fax: +86-755-8427 6832

Email & Skype: info@chipsmall.com Web: www.chipsmall.com

Address: A1208, Overseas Decoration Building, #122 Zhenhua RD., Futian, Shenzhen, China



MP104 Dual Power Amplifier

FEATURES

- Low Cost Integrated Solution
- Peak Output Current >10A within SOA
- Internal Power Dissipation 100 W Per Channel
- 50V/ μ s Slew Rate

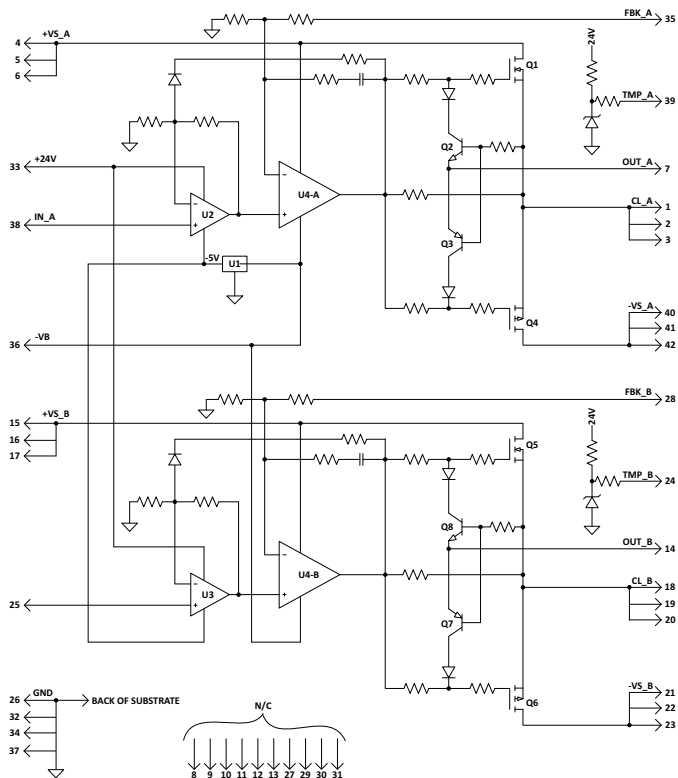
APPLICATIONS

- Piezoelectric Actuation For Ink Jet Printer Nozzles

DESCRIPTION

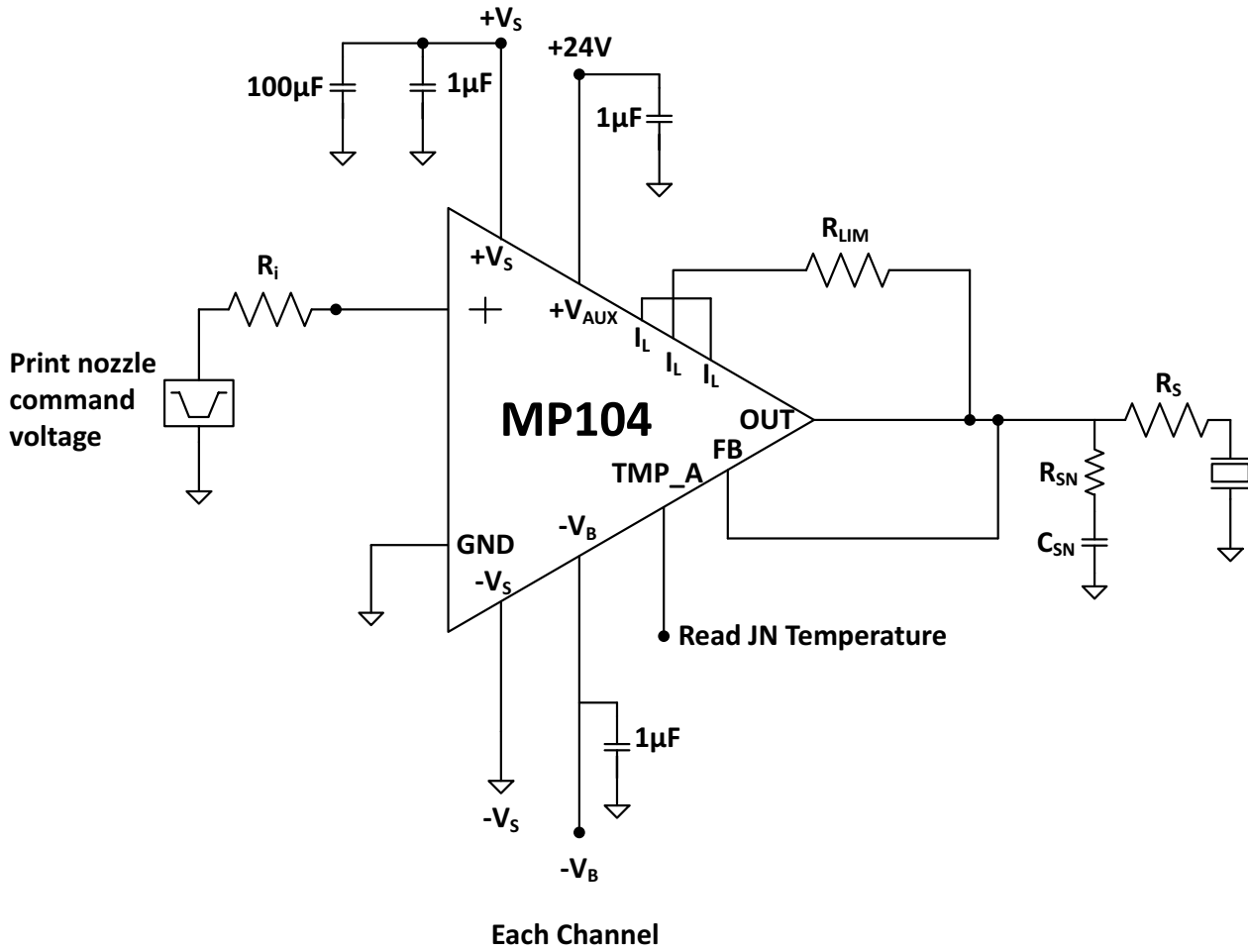
The MP104 is a high voltage, high output current dual channel power amplifier for driving capacitive loads such as piezo devices used in ink jet printing applications. The MP104 utilizes proprietary IC's combined with discrete semiconductor and passive elements on a thermally conductive insulated metal substrate, delivering very high power from a compact module. The amplifier gain is fixed at 64 V/V when the feedback pin is connected to the V_{OUT} pin. Internal compensation provides optimum slew rate and ensures stability. The only external components required are the current limit resistors R_{LIM} , a series isolation resistor R_S and the power supply bypass capacitors.

Figure 1: Equivalent Schematic



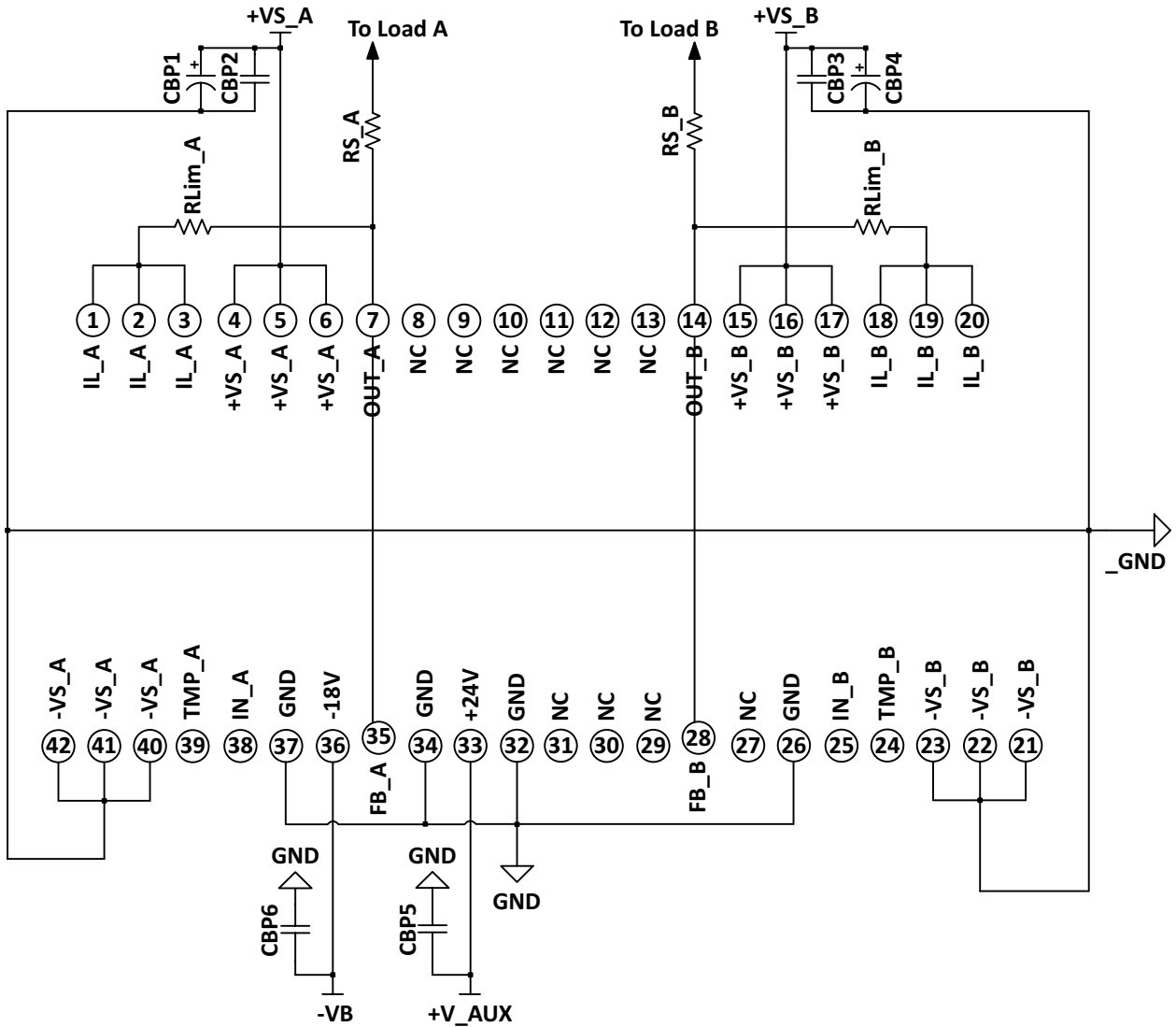
TYPICAL CONNECTION

Figure 2: Typical Connection



PINOUT AND DESCRIPTION TABLE

Figure 3: External Connections



Pin Number	Name	Description
1,2,3	I _L _A	High current output pins for channel A. A current limit resistor must be placed between these pins and the output pin 8.
4,5,6	+V _S _A	Positive high voltage power supply pins for channel A.
7	Out_A	Output pin for channel A.
14	Out_B	Output pin for channel B.
15, 16, 17	+V _S _B	Positive high voltage power supply pins for channel B.
18,19,20	I _L _B	High current output pins for channel B. A current limit resistor must be placed between these pins and the output pin 15.
21, 22, 23	-V _S _B	Negative power supply pins for channel B.
24	TMP_B	Temperature sense pin for channel B.
25	IN_B	Input pin for channel B.
28	Feedback_B	Feed back pin for channel B. This pin must be connected to output B pin 15 to close the feedback loop. When connected directly to pin 15 the closed loop voltage gain of channel B is 65 V/V. The gain can be increased by inserting a 1/4 W resistor between pins 30 and 15.
26, 32, 34, 37	GND	Ground
33	+V _{AUX}	+24V voltage power supply pin. A 24 V power supply is required for operation of front end small signal circuitry of each channel.
35	Feedback_A	Feedback pin for channel A. This pin must be connected to output A pin 8 to close the feedback loop. When connected directly to pin 8 the closed loop voltage gain of channel A is 65 V/V. The gain can be increased by inserting a 1/4 W resistor between pins 36 and 8.
36	-VB	-18V voltage power supply pin for operation of front end small signal circuitry of each channel
38	IN_A	Input pin for channel A.
39	TMP_A	Temperature sense pin for channel A.
40, 41, 42	-V _S _A	Negative power supply pins for channel A.

SPECIFICATIONS

- Notes:**
- a) All Min/Max characteristics and specifications are guaranteed over the Specified Operating Conditions. Typical performance characteristics and specifications are derived from measurements taken at typical supply voltages and $T_C = 25^\circ\text{C}$.
 - b) $+V_S$ and $-V_S$ denote the positive and negative supply voltages to the output stages. $+V_{AUX}$ denotes the positive supply voltage to the input stages.

ABSOLUTE MAXIMUM RATINGS

Parameter	Symbol	Min	Max	Units
Supply Voltage, total	$+V_S$ to $-V_S$		160	V
Supply Voltage, $-V_S$ ($+V_S$ return path)	$-V_S$	0/GND		V
Supply Voltage, $-V_B$	$-V_B$	-15	-20	V
Supply Voltage, $+V_{AUX}$	$+V_{AUX}$		27	V
Output Current, pk, per channel (within SOA)	I_O (pk)		12	A
Power Dissipation, internal, each channel	P_D		100	W
Input Voltage	V_{IN}	-5	V_{AUX}	V
Temperature, pin solder, 10s max.			225	$^\circ\text{C}$
Temperature, junction ¹	T_J		150	$^\circ\text{C}$
Temperature Range, storage	T_S	-40	105	$^\circ\text{C}$

1. Long term operation at the maximum junction temperature will result in reduced product life. Derate power dissipation to achieve high MTTF.

INPUT

Parameter	Test Conditions	MP104			MP104A			Units
		Min	Typ	Max	Min	Typ	Max	
Offset Voltage, initial		-14	± 5	+14	*	*	*	mV
Offset Voltage vs. Temperature	Full temp range		± 2			*		$\mu\text{V}/^\circ\text{C}$
Bias Current, initial ¹			2.5	12		*	*	μA
Input Voltage Range		-3		$+V_{AUX} - 2$	*		*	V
Input Resistance, DC			1			*		$\text{M}\Omega$
Input Capacitance			1.5			*		pF
Noise			500			*		nV/ $\sqrt{\text{Hz}}$
V_{OS} vs. V_S		+5		-5				$\mu\text{V}/\text{V}$

1. Doubles for every 10°C of case temperature increase.

GAIN

Parameter	Test Conditions	MP104			MP104A			Units
		Min	Typ	Max	Min	Typ	Max	
Fixed Gain	Feedback connected to V_{OUT}	62.5	64	66.5	*	*	*	V/V
Gain Bandwidth Product, 1 MHz			30			*		MHz
Power Bandwidth, 130V _{p-p}		100	114		*	*		kHz

OUTPUT

Parameter	Test Conditions	MP104			MP104A			Units
		Min	Typ	Max	Min	Typ	Max	
Voltage Swing	Source $I_O = 10A$		$+V_S - 8$		$+V_S - 15$	*		V
Voltage Swing	Sink $I_O = 5A$		$-V_S + 2.5$		$-V_S + 7.5$	*		V
Current, peak, source		10			12			A
Current, continuous			10			*		A
Slew Rate, rising edge	$R_S = 1.5 \Omega$, $CL = 80nF$	45	50		*	*		V/ μs
Slew Rate, falling edge	$R_S = 1.5 \Omega$, $CL = 80nF$	45	50		*	*		V/ μs

POWER SUPPLY

Parameter	Test Conditions	MP104			MP104A			Units
		Min	Typ	Max	Min	Typ	Max	
Voltage, $-V_B$		-18	-19	-20	*	*	*	V
Voltage, $-V_S$				GND			*	V
Voltage, $+V_{AUX}$		21	24	25	*	*	*	V
Voltage, $+V_S$		$-V_S + 20$	120	150	*	*	*	V
Current, quiescent, $-V_B$				26			*	mA
Current, quiescent, $+V_{AUX}$			13.5	21		*	*	mA
Current, quiescent, $+V_S$			3	8		*	*	mA

THERMAL

Parameter	Test Conditions	MP104			MP104A			Units
		Min	Typ	Max	Min	Typ	Max	
Resistance, AC, junction to case ¹	Full temp range, f ≥ 60 Hz			1			*	°C/W
Resistance, DC, junction to case	Full temp range, f < 60 Hz			1.25			*	°C/W
Resistance, junction to air	Full temp range			13			*	°C/W
Temperature Range, case		-40		+85	*		*	°C

1. Rating applies if the output current alternates between both output transistors at a rate faster than 60 Hz.

TEMPERATURE SENSOR

Parameter	Test Conditions	MP104			MP104A			Units
		Min	Typ	Max	Min	Typ	Max	
Temperature sensor output, V _{TEMP}	T _C = 25°C		2.98			*		V
Temperature sensor gain			10			*		mV/°C
Temperature accuracy	T _C = -40°C to 85°C			±1			*	°C

TYPICAL PERFORMANCE GRAPHS

Figure 4: Power Derating

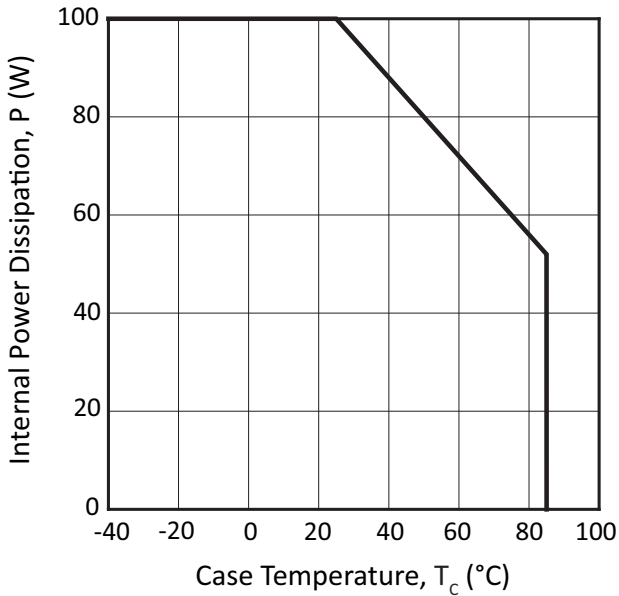


Figure 5: Large Signal Pulse Response (Full Load)

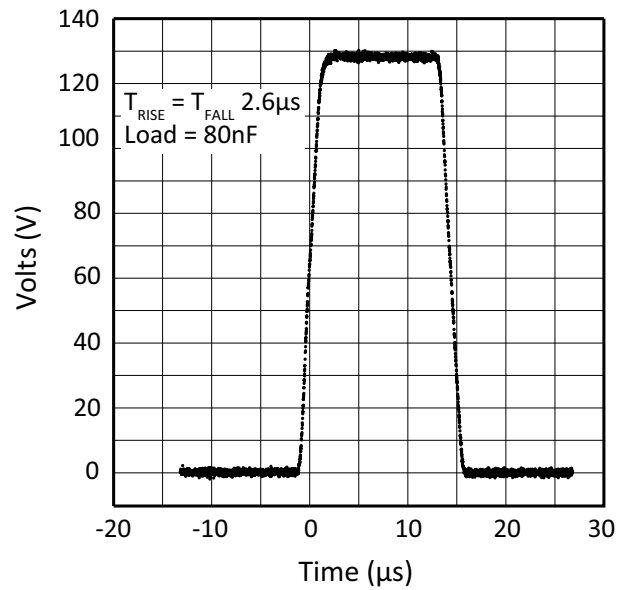


Figure 6: Small Signal Pulse Response (No Load)

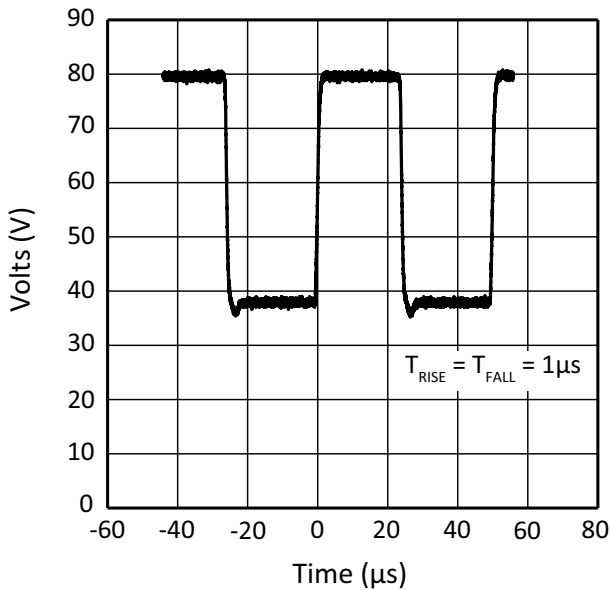


Figure 7: Large Signal Pulse Response (No Load)

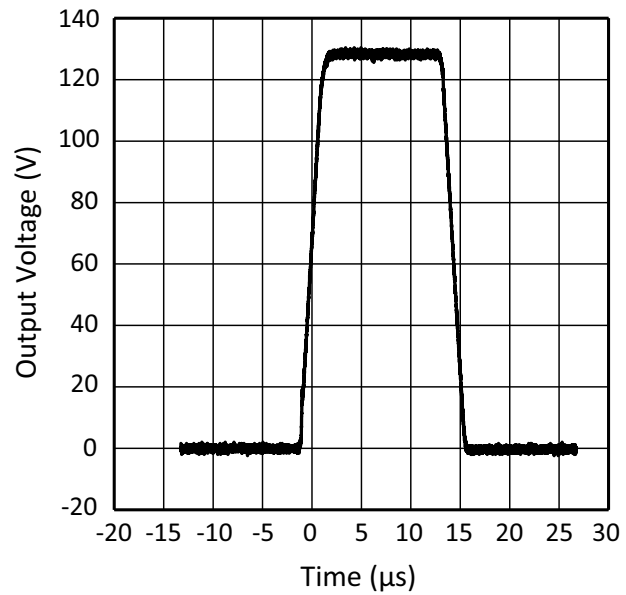


Figure 8: Small Signal Response (Full Load)

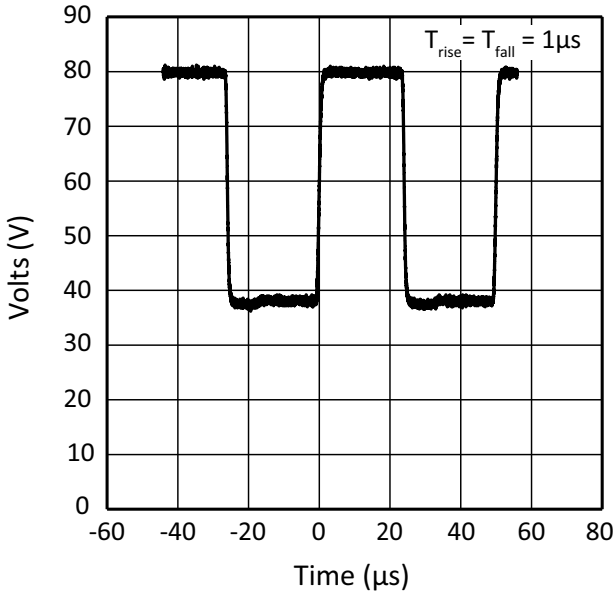


Figure 9: Closed Loop Gain vs. Frequency Plot (Resistive Load)

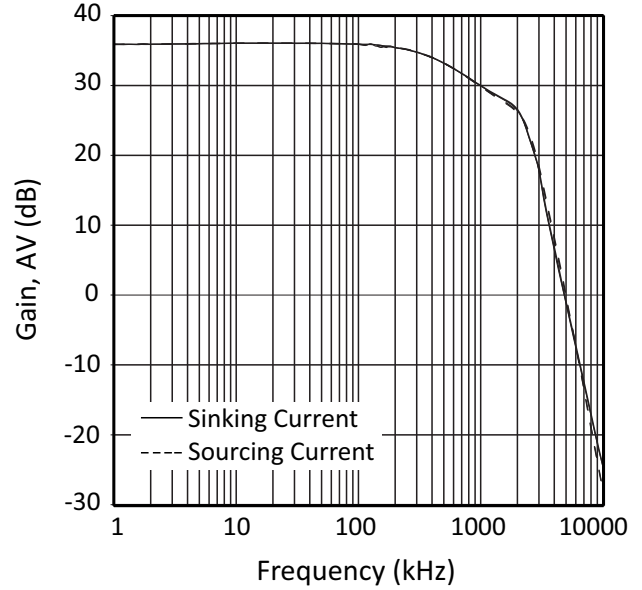


Figure 10: Closed Loop Phase vs. Frequency Plot (Resistive Load)

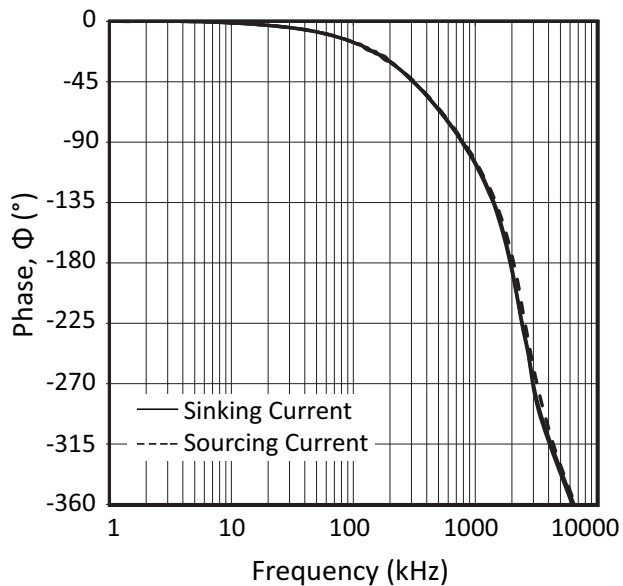


Figure 11: Closed Loop Gain vs. Frequency (Capacitive Load 80nF)

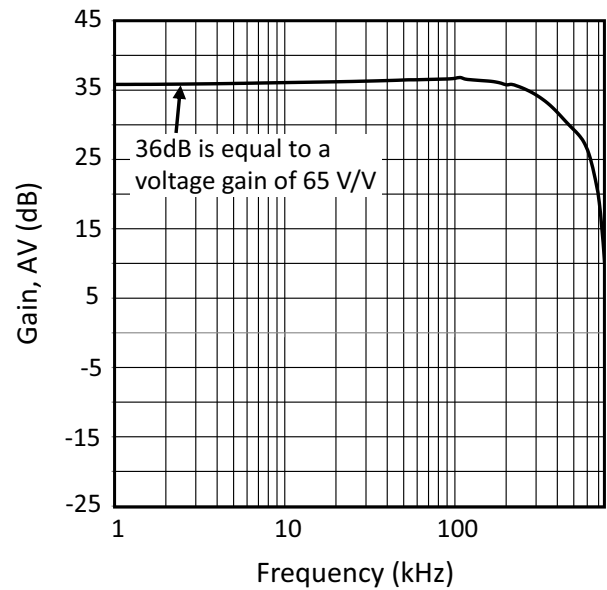


Figure 12: Closed Loop Phase vs. Frequency Plot (Capacitive Load 80nF)

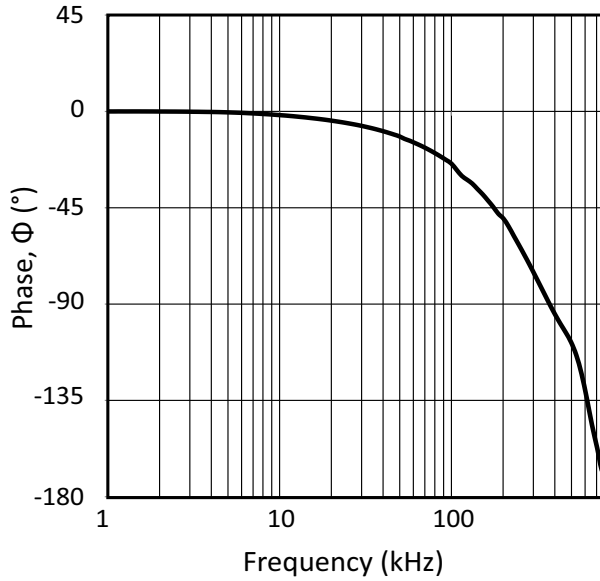


Figure 13: Quiescent Current

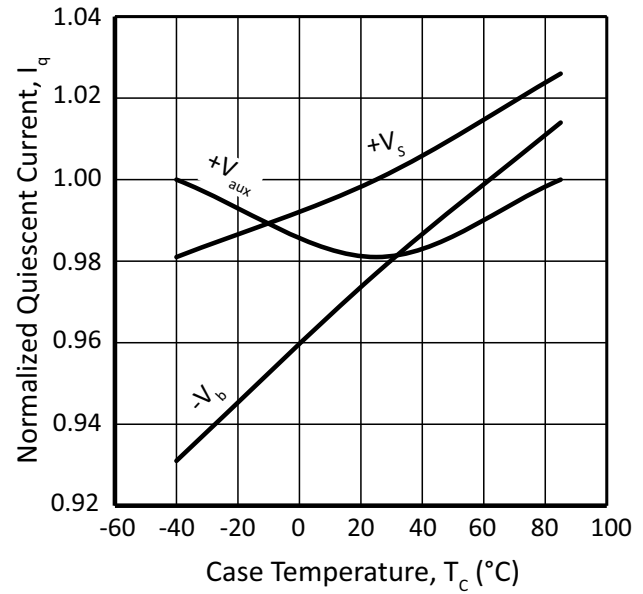


Figure 14: Open Loop Gain Response (No Load)

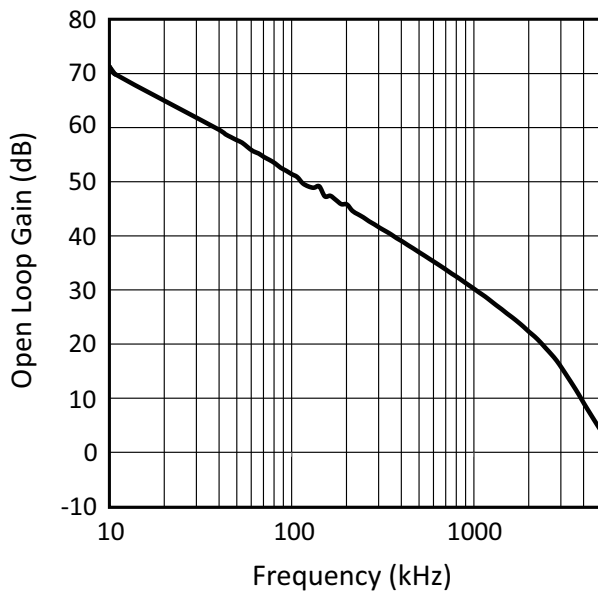
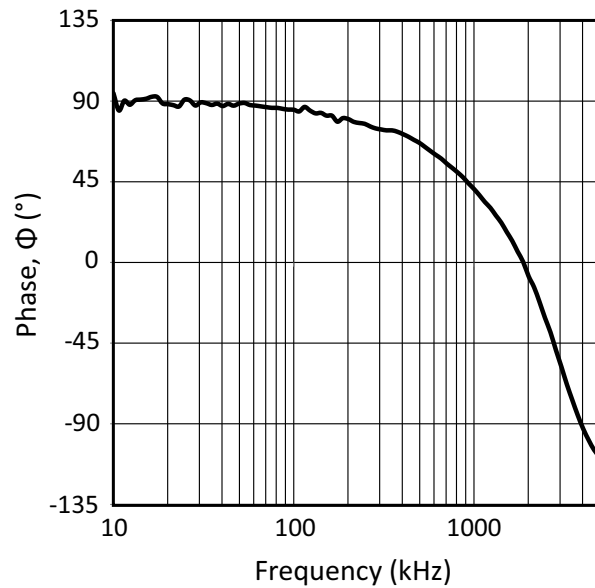


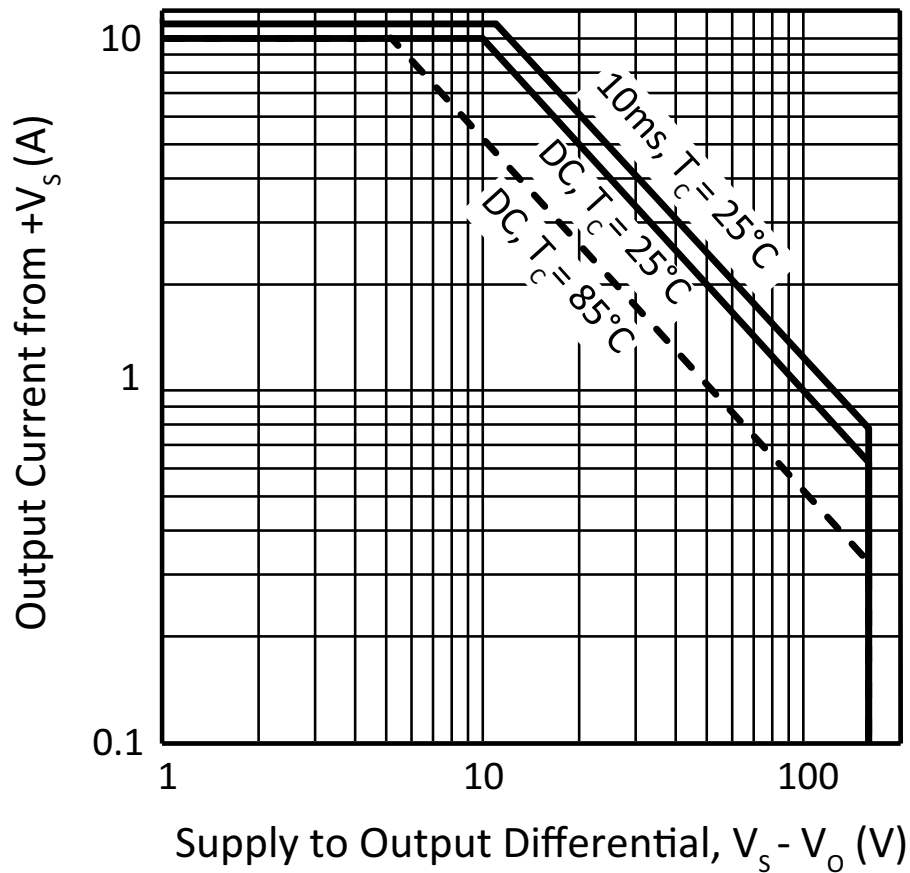
Figure 15: Open Loop Phase Response (No Load)



SAFE OPERATING AREA (SOA)

The MOSFET output stage of the MP104 is not limited by second breakdown considerations as in bipolar output stages. Only thermal considerations and current handling capabilities limit the SOA (see Safe Operating Area graph). The output stage is protected against transient flyback by the parasitic body diodes of the output stage MOSFET structure. However, for protection against sustained high energy flyback external fast-recovery diodes must be used.

Figure 16: SOA



GENERAL

Please read Application Note 1 “General Operating Considerations” which covers stability, supplies, heat sinking, mounting, current limit, SOA interpretation, and specification interpretation. Visit www.apexanalog.com for Apex Microtechnology’s complete Application Notes library, Technical Seminar Workbook, and Evaluation Kits.

CIRCUIT TOPOLOGY

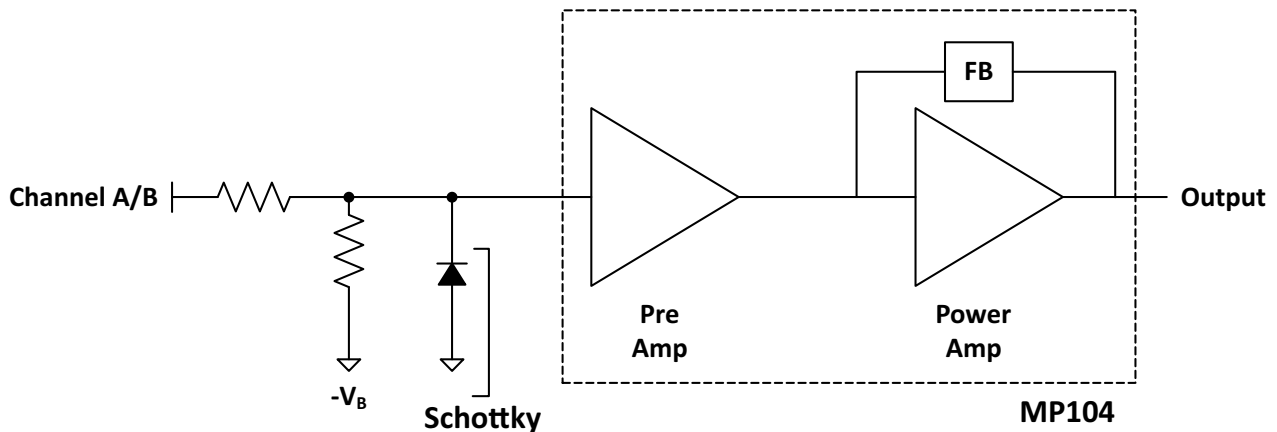
The MP104 consists of two identical amplifiers designated as Channel A and Channel B. Each amplifier consists of a fixed gain input preamplifier followed by a fixed gain power amplifier. The preamplifier section voltage gain is set to approximately 19dB. The power amplifier section is set to a voltage gain of approximately 17dB and its input is connected in cascade to the preamplifier output. The total closed loop gain is approximately 36dB.

The Open Loop Gain graph indicates the overall open loop voltage gain of the composite amplifier. However, for AC analysis and stability purposes, the preamplifier gain contribution must be subtracted from the overall gain since the feedback applies only to the power amplifier stage. The plot shows a voltage gain of 70dB at a frequency of 10 kHz. For feedback and stability analysis, the gain is effectively 51dB at 10 kHz. The second pole occurs at approximately at 2 MHz indicating a gain of approximately 5dB.

INPUT CONSIDERATIONS

The output stage operates in non-linear mode when the output voltage is at the low level and effectively acts as a switch. The output stage low-side device must be sufficiently driven so that it is able to sink the specified current level. This requires the addition of a small negative offset voltage applied to the input. A value of from -150mV to -250mV should be sufficient. The amplifier will respond in its normal linear operating mode with an input voltage of zero to approximately 2.3V. Figure 12 shows a suggested circuit for providing a -250mV input offset voltage.

Figure 17: Recommended Circuit for Input Offset



AMPLIFIER GAIN

When the feedback pin for each channel is connected to the corresponding OUT pin, the gain of the amplifier is internally set to 65 V/V. The amplifier gain can be increased by connecting a resistor between the feedback and OUT pin. The amplifier gain will be increased approximately 1 V/V for each additional 49.9 Ω added between the feedback and OUT pin.

POWER SUPPLY BYPASSING

Bypass capacitors to power supply terminals +V_S and -V_S must be connected physically close to the pins to prevent local parasitic oscillation in the output stage of the MP104. Use electrolytic capacitors at least 10 μ F per output amp required. Bypass the electrolytic capacitors with high quality ceramic capacitors (X7R) 0.1 μ F or greater. Duplicate the supply bypass for the supply terminals of each amplifier channel. A bypass capacitor of 0.1 μ F or greater is recommended for the +V_{AUX} terminal.

CURRENT LIMIT

For proper operation, the current limit resistor (R_{LIM}) must be connected as shown in the external connection diagram. For optimum reliability the resistor value should be set as high as possible. The value is calculated as follows; with the maximum practical value of 30 Ω . The current limit function can be disabled by shorting the I_L pin to the OUT pin.

POWER SUPPLY PROTECTION

Unidirectional zener diode transient suppressors are recommended as protection on the supply pins. The zeners clamp transients to voltages within the power supply rating and also clamp power supply reversals to ground. Whether the zeners are used or not, the system power supply should be evaluated for transient performance including power-on overshoot and power-off polarity reversal as well as line regulation. Conditions which can cause open circuits or polarity reversals on either power supply rail should be avoided or protected against. Reversals or opens on the negative supply rail is known to induce input stage failure. Unidirectional TVS diodes prevent this, and it is desirable that they be both electrically and physically as close to the amplifier as possible.

SERIES ISOLATION RESISTOR, R_S

To insure stability with all capacitive loads a series isolation resistor should be included between the output and the load as shown in the external connections drawing. A 1.5 Ω resistor works well for capacitive loads between 40 and 80 nF. The resistor will affect the rise and fall time of the output pulse at the capacitive load. This can be compensated for on the input signal.

BACKPLATE GROUNDING

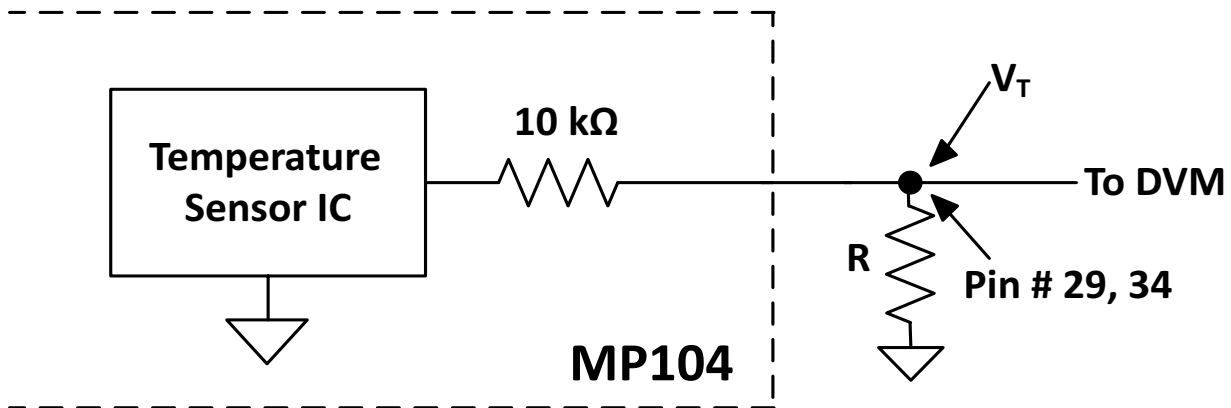
The substrate of the MP104 is an insulated metal substrate. It is required that it be connected to signal ground. This is accomplished when the ground pin (Pin 32) is properly connected signal ground.

TEMPERATURE SENSING

The MP104 consists of two IC temperature sensors, located near the output MOSFETs of each channel. The scale factor of the sensor is $10\text{mV}/^\circ\text{C}$. The output voltage of the sensor is equal to approximately 2.98 V at room temperature ($T_c = 25^\circ\text{C}$). The sensor has an uncalibrated temperature error of $\pm 1^\circ\text{C}$. The scale factor of the sensor can be adjusted by connecting an optional resistor “R” (refer Fig 18) to TMP_A / TMP_B pins using the following equation, where T is case temperature in $^\circ\text{C}$.

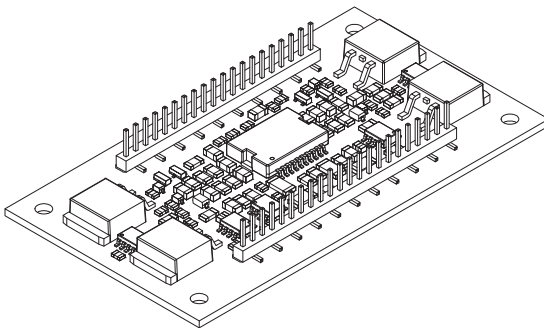
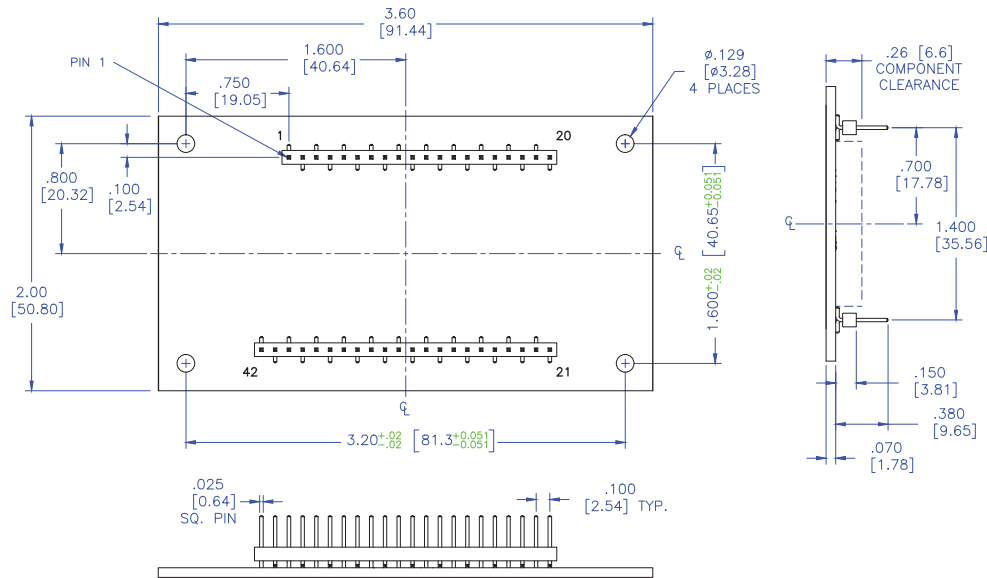
$$V_T = \frac{R}{10000 + R}(0.01T + 2.73)$$

Figure 18:



PACKAGE OPTIONS

PACKAGE STYLE KF



NOTES:

1. Dimensions are inches; alternate units are [mm].
2. Recommended PCB hole diameter for pins: .050 [1.27].
3. 2oz. copper over 600V dielectric over aluminum substrate.
4. Tin over nickel plated phosphor bronze pins.
5. Package weight:
6. Mount with #4 or equivalent screws.
7. It is not recommended that mounting of the package rely on the pins for mechanical support.

NEED TECHNICAL HELP? CONTACT APEX SUPPORT!

For all Apex Microtechnology product questions and inquiries, call toll free 800-546-2739 in North America. For inquiries via email, please contact apex.support@apexanalog.com. International customers can also request support by contacting their local Apex Microtechnology Sales Representative. To find the one nearest to you, go to www.apexanalog.com

IMPORTANT NOTICE

Apex Microtechnology, Inc. has made every effort to insure the accuracy of the content contained in this document. However, the information is subject to change without notice and is provided "AS IS" without warranty of any kind (expressed or implied). Apex Microtechnology reserves the right to make changes without further notice to any specifications or products mentioned herein to improve reliability. This document is the property of Apex Microtechnology and by furnishing this information, Apex Microtechnology grants no license, expressed or implied under any patents, mask work rights, copyrights, trademarks, trade secrets or other intellectual property rights. Apex Microtechnology owns the copyrights associated with the information contained herein and gives consent for copies to be made of the information only for use within your organization with respect to Apex Microtechnology integrated circuits or other products of Apex Microtechnology. This consent does not extend to other copying such as copying for general distribution, advertising or promotional purposes, or for creating any work for resale.

APEX MICROTECHNOLOGY PRODUCTS ARE NOT DESIGNED, AUTHORIZED OR WARRANTED TO BE SUITABLE FOR USE IN PRODUCTS USED FOR LIFE SUPPORT, AUTOMOTIVE SAFETY, SECURITY DEVICES, OR OTHER CRITICAL APPLICATIONS. PRODUCTS IN SUCH APPLICATIONS ARE UNDERSTOOD TO BE FULLY AT THE CUSTOMER OR THE CUSTOMER'S RISK.

Apex Microtechnology, Apex and Apex Precision Power are trademarks of Apex Microtechnology, Inc. All other corporate names noted herein may be trademarks of their respective holders.