



Chipsmall Limited consists of a professional team with an average of over 10 year of expertise in the distribution of electronic components. Based in Hongkong, we have already established firm and mutual-benefit business relationships with customers from,Europe,America and south Asia,supplying obsolete and hard-to-find components to meet their specific needs.

With the principle of “Quality Parts,Customers Priority,Honest Operation,and Considerate Service”,our business mainly focus on the distribution of electronic components. Line cards we deal with include Microchip,ALPS,ROHM,Xilinx,Pulse,ON,Everlight and Freescale. Main products comprise IC,Modules,Potentiometer,IC Socket,Relay,Connector.Our parts cover such applications as commercial,industrial, and automotives areas.

We are looking forward to setting up business relationship with you and hope to provide you with the best service and solution. Let us make a better world for our industry!



Contact us

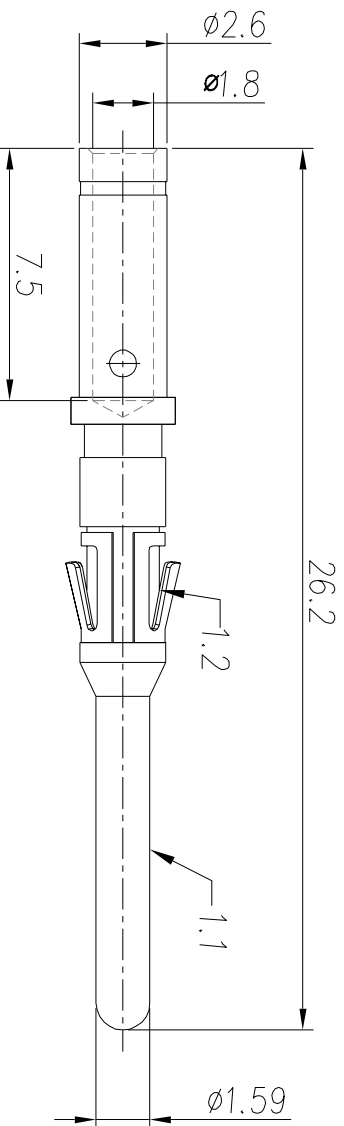
Tel: +86-755-8981 8866 Fax: +86-755-8427 6832

Email & Skype: info@chipsmall.com Web: www.chipsmall.com

Address: A1208, Overseas Decoration Building, #122 Zhenhua RD., Futian, Shenzhen, China



REVISIONS				
REV	ECO	DESCRIPTION	DATE	BY APPR
B1	-	RELEASED DRAWING	JAN-18-2014	ARROW TOMMY



P/N	CONTACT PLATING(MATING AREA)
MP16M23T	TIN PLATING OVER NICKEL.
MP16M23S	SILVER PLATING OVER NICKEL.
MP16M23F	GOLD FLASH PLATING OVER NICKEL.
MP16M23G10	10µ" GOLD PLATING OVER NICKEL.
MP16M23G15	15µ" GOLD PLATING OVER NICKEL.
MP16M23G30	30µ" GOLD PLATING OVER NICKEL.

- NOTES : (UNLESS OTHERWISE SPECIFIED)
- MATERIAL :
 - CONTACT BODY : COPPER ALLOY.
 - POSITIONING CLIP : COPPER ALLOY.
 - SPECIFICATIONS :
 - CURRENT RATING : 13A(MAX).
 - TERMINATION TYPE : CRIMPING.
 - WIRE RANGE : 16-18AWG.
 - SUITABLE SOCKET TYPE : MS16M23xx.
 - ROHS COMPLIANT.
 - ALL DIMENSIONS ARE FOR REFERENCE USE ONLY.

QUANTITY	PART NUMBER	DESCRIPTION	ITER
		MATERIALS LIST	
UNLESS OTHERWISE SPECIFIED			
1) ALL DIMENSIONS ARE IN INCHES.			
2) TOLERANCES ARE AS SHOWN.			
3) PL. DEC. 20-20			
4) PL. DEC. 20-20			
5) PL. DEC. 20-20			
6) Note reference =			
MATERIAL SPECIFICATIONS:		CUSTOMER:	
PROCESS SPECIFICATIONS:		THIS DRAWING IS SUPPLIED FOR INFORMATION ONLY. IT IS NOT TO BE USED FOR MANUFACTURING PURPOSES. THE MANUFACTURER SHALL BE RESPONSIBLE FOR THE PROPER INTERPRETATION OF THIS DRAWING AND FOR THE PROPER MANUFACTURING OF THE PARTS OF REPRODUCTION HEREIN. ALL DIMENSIONS ARE TO UNLESS OTHERWISE SPECIFIED.	
NEXT ASST:		SCALE:	NONE
		SIZE:	B
		TYPE:	C-
		DWG NO:	MP16M23xx
		REVISION:	B1
		SHEET:	1 OF 1

Amphenol
 Sine Systems - www.amphenol-sine.com
 44724 Monkey Drive
 Clinton Township, MI 48038

ECO-MATE PIN CONTACT
 MACHINE, 16-18AWG, SIZE 16