



Chipsmall Limited consists of a professional team with an average of over 10 year of expertise in the distribution of electronic components. Based in Hongkong, we have already established firm and mutual-benefit business relationships with customers from,Europe,America and south Asia,supplying obsolete and hard-to-find components to meet their specific needs.

With the principle of “Quality Parts,Customers Priority,Honest Operation,and Considerate Service”,our business mainly focus on the distribution of electronic components. Line cards we deal with include Microchip,ALPS,ROHM,Xilinx,Pulse,ON,Everlight and Freescale. Main products comprise IC,Modules,Potentiometer,IC Socket,Relay,Connector.Our parts cover such applications as commercial,industrial, and automotives areas.

We are looking forward to setting up business relationship with you and hope to provide you with the best service and solution. Let us make a better world for our industry!



Contact us

Tel: +86-755-8981 8866 Fax: +86-755-8427 6832

Email & Skype: info@chipsmall.com Web: www.chipsmall.com

Address: A1208, Overseas Decoration Building, #122 Zhenhua RD., Futian, Shenzhen, China



DESCRIPTION

The MP18021A is a high-frequency, 100V, half bridge, N-channel power MOSFET driver. Its low side and high side driver channels are independently controlled and matched with a time delay of less than 5ns. Under-voltage lockout on both high side and low side supplies force their outputs low in case of insufficient supply. The integrated bootstrap diode reduces external component count.

FEATURES

- Drives N-Channel MOSFET Half Bridge
- 100V V_{BST} Voltage Range
- On-Chip Bootstrap Diode
- Typical 16ns Propagation Delay Time
- Less Than 5ns Gate Drive Matching
- Drives 1nF Load with 12ns/9ns Rise/Fall Times with 12V VDD
- TTL Compatible Input
- Less Than 150 μ A Quiescent Current
- UVLO for Both High Side and Low Side
- In SOIC8E and QFN8 (3 \times 3mm) Packages

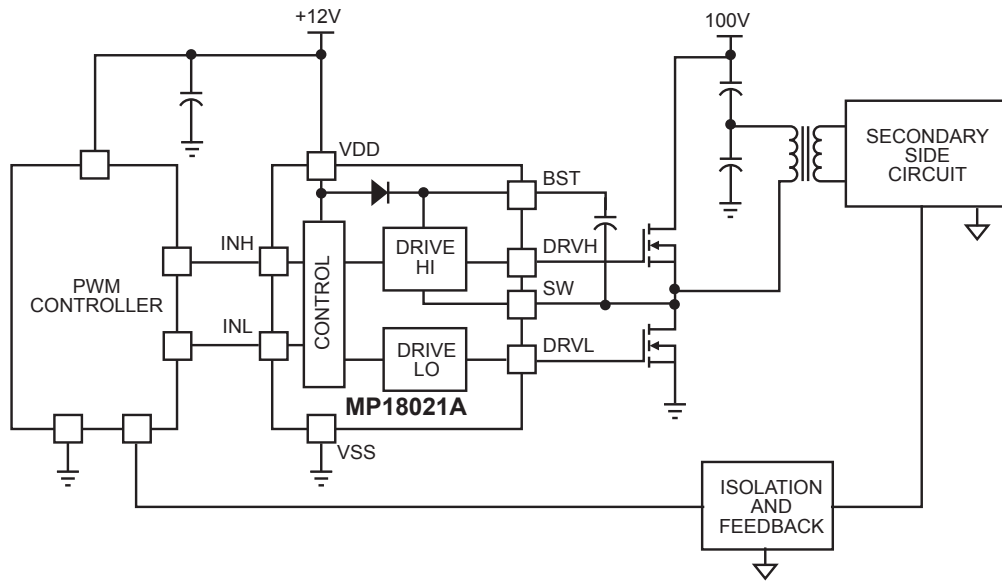
APPLICATIONS

- Telecom Half Bridge Power Supplies
- Avionics DC-DC Converters
- Two-Switch Forward Converters
- Active Clamp Forward Converters

All MPS parts are lead-free, halogen free, and adhere to the RoHS directive. For MPS green status, please visit MPS website under Quality Assurance.

"MPS" and "The Future of Analog IC Technology" are Registered Trademarks of Monolithic Power Systems, Inc.

TYPICAL APPLICATION

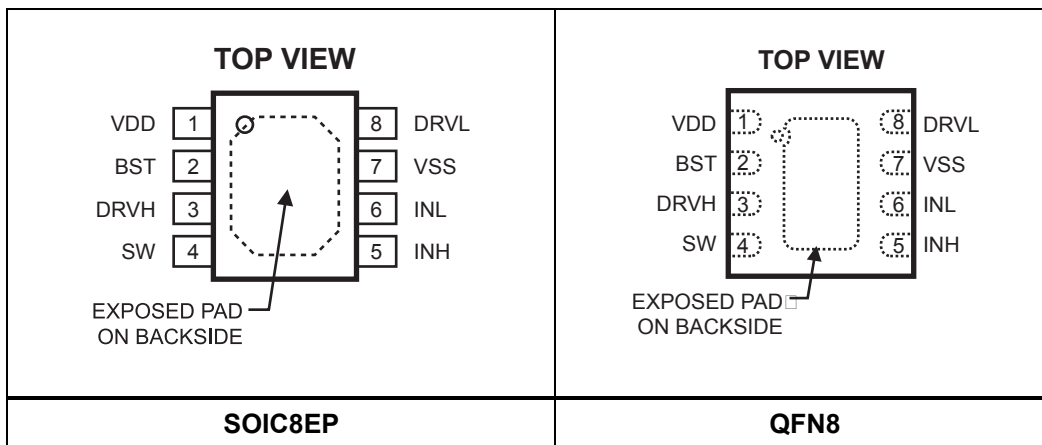


ORDERING INFORMATION

| Part Number | Package | Top Marking |
|---------------|--------------|-------------|
| MP18021HN-A* | SOIC8E | MP18021A |
| MP18021HQ-A** | QFN8 (3x3mm) | ACP |

* For Tape & Reel, add suffix -Z (e.g. MP18021HN-A-Z);
 For RoHS compliant packaging, add suffix -LF (e.g. MP18021HN-A-LF-Z)
 ** For Tape & Reel, add suffix -Z (e.g. MP18021HQ-A-Z);
 For RoHS compliant packaging, add suffix -LF (e.g. MP18021HQ-A-LF-Z)

PACKAGE REFERENCE



ABSOLUTE MAXIMUM RATINGS ⁽¹⁾

| | |
|---|------------------------------|
| Supply Voltage (V_{DD}) | -0.3V to +20V |
| SW Voltage (V_{SW}) | -5.0V to +105V |
| BST Voltage (V_{BST}) | -0.3V to +120V |
| BST to SW | -0.3V to +18V |
| DRVH to SW | -0.3V to (BST-SW) + 0.3V |
| DRVL to VSS | -0.3V to ($V_{DD} + 0.3V$) |
| All Other Pins | -0.3V to ($V_{DD} + 0.3V$) |
| Continuous Power Dissipation ($T_A = 25^\circ\text{C}$) ⁽²⁾ | |
| SOIC8E | 2.6W |
| QFN8 (3x3mm) | 2.5W |
| Continuous Power Dissipation ($T_A = 100^\circ\text{C}$) ⁽²⁾ | |
| SOIC8E | 0.52W |
| QFN8 (3x3mm) | 0.5W |
| Junction Temperature | 150°C |
| Lead Temperature | 260°C |
| Storage Temperature | -65°C to +150°C |

Recommended Operating Conditions ⁽³⁾

| | |
|------------------------------------|-----------------|
| Supply Voltage (V_{DD}) | 9.0V to 18V |
| SW Voltage (V_{SW}) | -1.0V to +100V |
| SW slew rate | <50V/nsec |
| Operating Junction Temp. (T_J) | -40°C to +125°C |

Thermal Resistance ⁽⁴⁾

| | θ_{JA} | θ_{JC} |
|--------------|---------------|---------------|
| SOIC8E | 48 | 10... °C/W |
| QFN8 (3x3mm) | 50 | 12... °C/W |

Notes:

- Exceeding these ratings may damage the device.
- The maximum allowable power dissipation is a function of the maximum junction temperature $T_J(\text{MAX})$, the junction-to-ambient thermal resistance θ_{JA} , and the ambient temperature T_A . The maximum allowable continuous power dissipation at any ambient temperature is calculated by $P_D(\text{MAX}) = (T_J(\text{MAX}) - T_A) / \theta_{JA}$. Exceeding the maximum allowable power dissipation will cause excessive die temperature, and the regulator will go into thermal shutdown. Internal thermal shutdown circuitry protects the device from permanent damage.
- The device is not guaranteed to function outside of its operating conditions.
- Measured on JESD51-7, 4-layer PCB.

ELECTRICAL CHARACTERISTICS

$V_{DD} = V_{BST} - V_{SW} = 12V$, $V_{SS} = V_{SW} = 0V$, No load at DRVH and DRVL, $T_A = 25^\circ C$, unless otherwise noted.

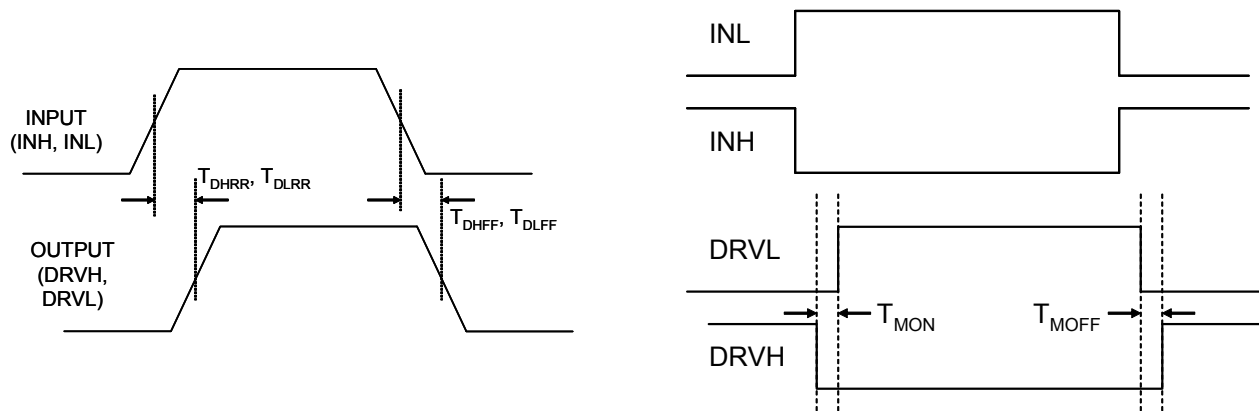
| Parameter | Symbol | Condition | Min | Typ | Max | Units |
|---------------------------------------|------------|-------------------------------|-----|------|------|------------|
| Supply Currents | | | | | | |
| VDD quiescent current | I_{DDQ} | INL=INH=0 | | 100 | 150 | μA |
| VDD operating current | I_{DDO} | $f_{sw} = 500kHz$ | | 2.8 | 3.5 | mA |
| Floating driver quiescent current | I_{BSTQ} | INL=INH=0 | | 60 | 90 | μA |
| Floating driver operating current | I_{BSTO} | $f_{sw} = 500kHz$ | | 2.1 | 3 | mA |
| Leakage Current | I_{LK} | BST=SW=100V | | 0.05 | 1 | μA |
| Inputs | | | | | | |
| INL/INH High | | | | 2 | 2.4 | V |
| INL/INH Low | | | 1 | 1.4 | | V |
| INL/INH internal pull-down resistance | R_{IN} | | | 185 | | k Ω |
| Under Voltage Protection | | | | | | |
| VDD rising threshold | V_{DDR} | | 7.7 | 8.1 | 8.5 | V |
| VDD hysteresis | V_{DDH} | | | 0.5 | | V |
| (BST-SW) rising threshold | V_{BSTR} | | 6.7 | 7.1 | 7.5 | V |
| (BST-SW) hysteresis | V_{BSTH} | | | 0.55 | | V |
| Bootstrap Diode | | | | | | |
| Bootstrap diode VF @ 100 μA | V_{F1} | | | 0.5 | | V |
| Bootstrap diode VF @ 100mA | V_{F2} | | | 0.9 | | V |
| Bootstrap diode dynamic R | R_D | @ 100mA | | 2.5 | | Ω |
| Low Side Gate Driver | | | | | | |
| Low level output voltage | V_{OLL} | $I_O = 100mA$ | | 0.15 | 0.22 | V |
| High level output voltage to rail | V_{OHL} | $I_O = -100mA$ | | 0.45 | 0.6 | V |
| Peak pull-up current | I_{OHL} | $V_{DRVL} = 0V, V_{DD} = 12V$ | | 1.5 | | A |
| | | $V_{DRVL} = 0V, V_{DD} = 16V$ | | 2.5 | | A |
| Peak pull-down current | I_{OLL} | $V_{DRVL} = V_{DD} = 12V$ | | 2.5 | | A |
| | | $V_{DRVL} = V_{DD} = 16V$ | | 3.5 | | A |
| Floating Gate Driver | | | | | | |
| Low level output voltage | V_{OLH} | $I_O = 100mA$ | | 0.15 | 0.22 | V |
| High level output voltage to rail | V_{OHH} | $I_O = -100mA$ | | 0.45 | 0.6 | V |
| Peak pull-up current | I_{OHH} | $V_{DRVH} = 0V, V_{DD} = 12V$ | | 1.5 | | A |
| | | $V_{DRVH} = 0V, V_{DD} = 16V$ | | 2.5 | | A |
| Peak pull-down current | I_{OLH} | $V_{DRVH} = V_{DD} = 12V$ | | 2.5 | | A |
| | | $V_{DRVH} = V_{DD} = 16V$ | | 3.5 | | A |

ELECTRICAL CHARACTERISTICS (continued)
 $V_{DD} = V_{BST} - V_{SW} = 12V$, $V_{SS} = V_{SW} = 0V$, No load at DRVH and DRVL, $T_A = 25^\circ C$, unless otherwise noted.

| Parameter | Symbol | Condition | Min | Typ | Max | Units |
|---|------------|-------------|-----|-------------------|-------------------|-------|
| Switching Spec. --- Low Side Gate Driver | | | | | | |
| Turn-off propagation delay INL falling to DRVL falling | T_{DLFF} | | | 16 | | ns |
| Turn-on propagation delay INL rising to DRVL rising | T_{DLRR} | | | 16 | | |
| DRVL rise time | | $C_L = 1nF$ | | 12 | | ns |
| DRVL fall time | | $C_L = 1nF$ | | 9 | | ns |
| Switching Spec. --- Floating Gate Driver | | | | | | |
| Turn-off propagation delay INL falling to DRVH falling | T_{DHFF} | | | 16 | | ns |
| Turn-on propagation delay INL rising to DRVH rising | T_{DHRR} | | | 16 | | ns |
| DRVH rise time | | $C_L = 1nF$ | | 12 | | ns |
| DRVH fall time | | $C_L = 1nF$ | | 9 | | ns |
| Switching Spec. --- Matching | | | | | | |
| Floating driver turn-off to low side drive turn-on | T_{MON} | | | 1 | 5 | ns |
| Low side driver turn-off to floating driver turn-on | T_{MOFF} | | | 1 | 5 | ns |
| Minimum input pulse width that changes the output | T_{PW} | | | | 50 ⁽⁵⁾ | ns |
| Bootstrap diode turn-on or turn- off time | T_{BS} | | | 10 ⁽⁵⁾ | | ns |
| Over Temperature Protection⁽⁵⁾ | | | | | | |
| OTP entry threshold | | | | 160 | | °C |
| OTP recovery threshold | | | | 140 | | |
| OTP hysteresis | | | | 20 | | |

Note:

5) Derived from bench characterization. Not tested in production.


Figure 1—Timing Diagram

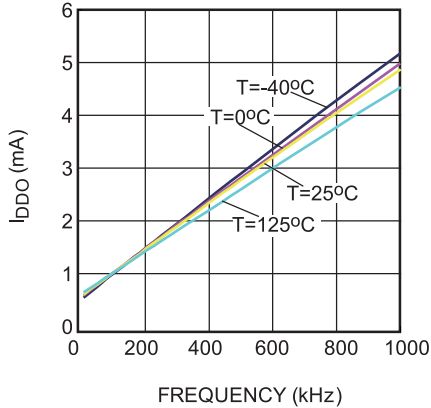
PIN FUNCTIONS

| Pin # | Name | Description |
|-------|------------------------|---|
| 1 | VDD | Supply input. This pin supplies power to all the internal circuitry. A decoupling capacitor to ground must be placed close to this pin to ensure stable and clean supply. |
| 2 | BST | Bootstrap. This is the positive power supply for the internal floating high-side MOSFET driver. Connect a bypass capacitor between this pin and SW pin. |
| 3 | DRVH | Floating driver output. |
| 4 | SW | Switching node. |
| 5 | INH | Control signal input for the floating driver. |
| 6 | INL | Control signal input for the low side driver. |
| 7 | VSS, Exposed Pad | Chip ground. Connect exposed pad to VSS for proper thermal operation. |
| 8 | DRVL | Low side driver output. |

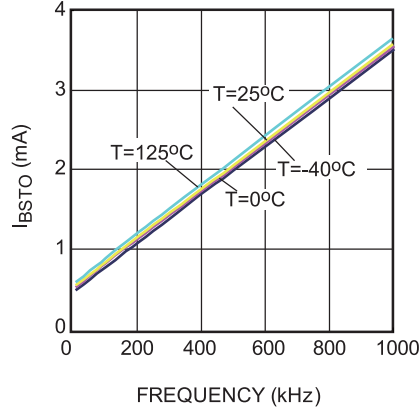
TYPICAL PERFORMANCE CHARACTERISTICS

$V_{DD} = 12V$, $V_{SS} = V_{SW} = 0V$, $T_A = 25^\circ C$, unless otherwise noted.

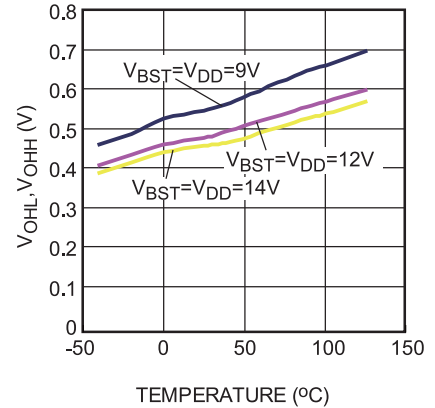
I_{DDO} Operation Current vs. Frequency



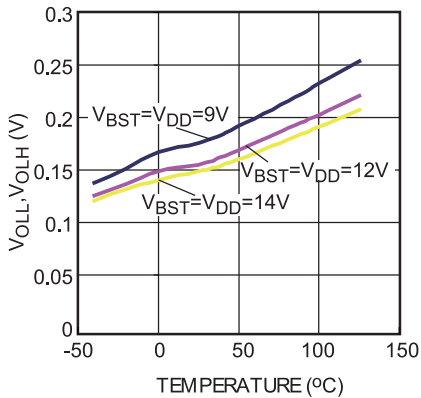
I_{BSTO} Operation Current vs. Frequency



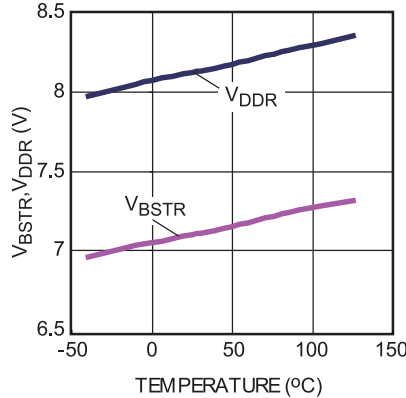
High Level Output Voltage vs. Temperature



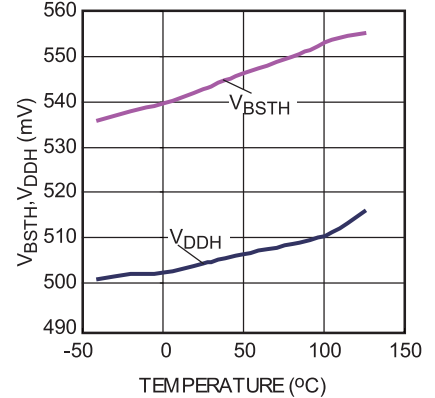
Low Level Output Voltage vs. Temperature



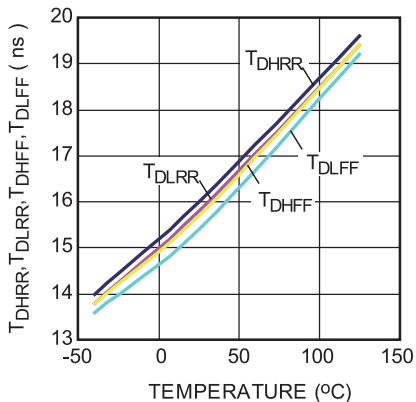
Undervoltage Lockout Threshold vs. Temperature



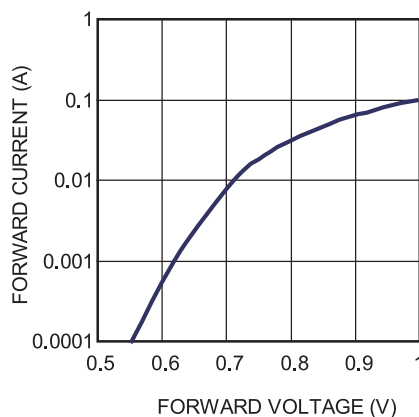
Undervoltage Lockout Hysteresis vs. Temperature



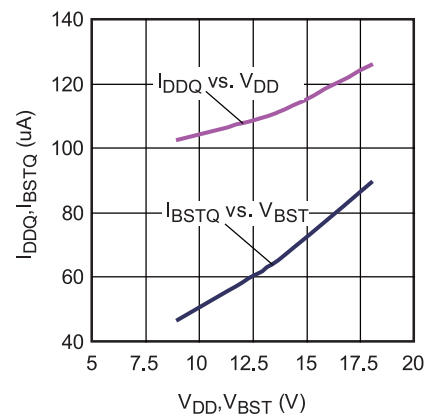
Propagation Delay vs. Temperature



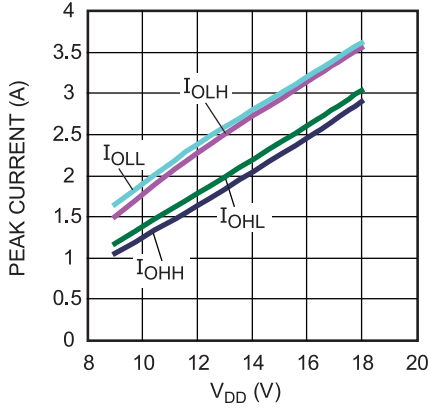
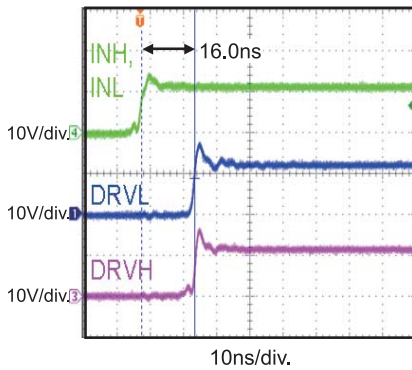
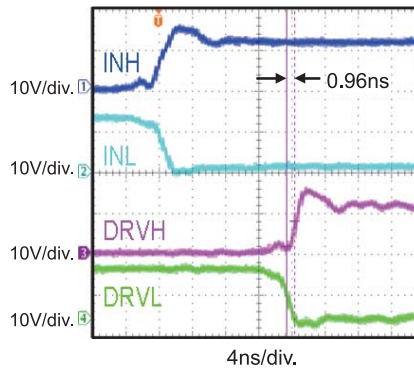
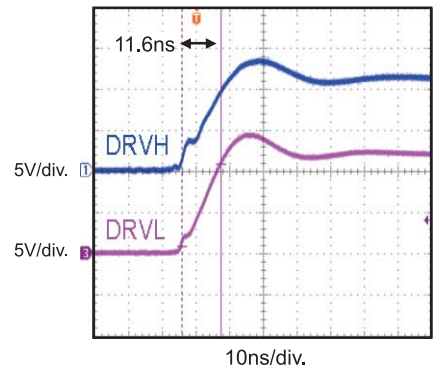
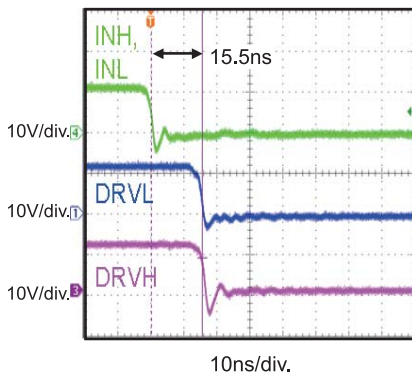
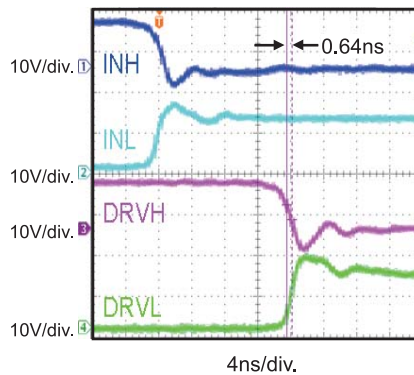
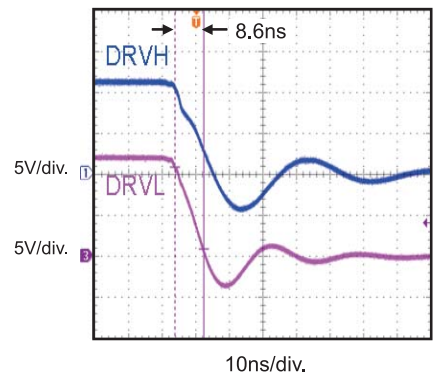
Bootstrap Diode I-V Characteristics



Quiescent Current vs. Voltage



TYPICAL PERFORMANCE CHARACTERISTICS (continued)
 $V_{DD} = 12V, V_{SS} = V_{SW} = 0V, T_A = 25^\circ C$, unless otherwise noted.

Peak Current vs. V_{DD} Voltage

Turn-on Propagation Delay

Gate Drive Matching T_{MOFF}

Drive Rise Time (1nF Load)

Turn-off Propagation Delay

Gate Drive Matching T_{MON}

Drive Fall Time (1nF Load)


BLOCK DIAGRAM

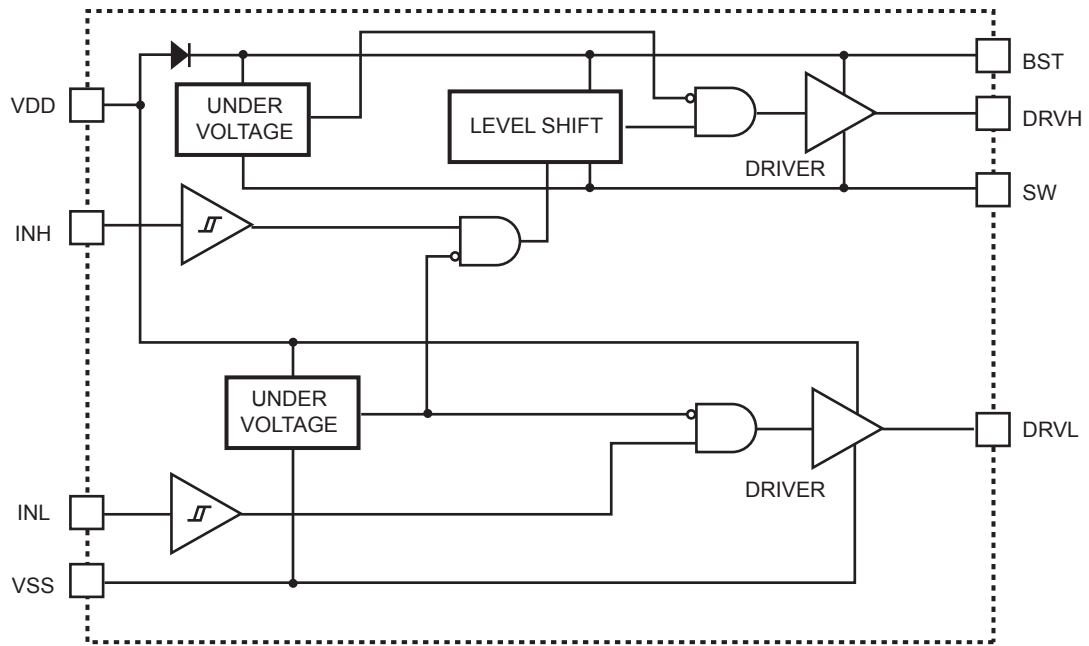
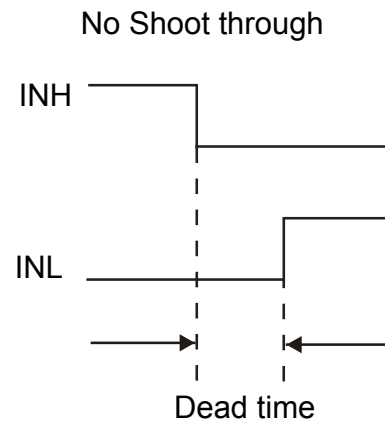
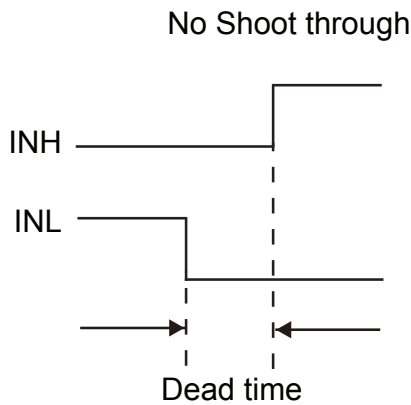
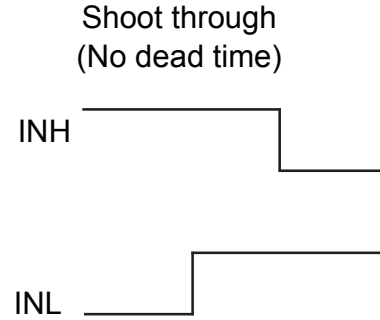
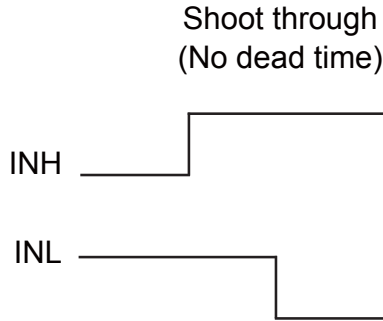


Figure 2—Function Block Diagram

APPLICATION

The input signals of INH and INL can be controlled independently. If both INH and INL are controlling HSFET and LSFET of the same bridge, then users must avoid shoot through by

setting sufficient dead time between INH and INL low, and vice versa. See below figure. Dead time is defined as the time interval between INH low and INL low.



REFERENCE DESIGN CIRCUITS

Half Bridge Converter

In half-bridge converter topology, the MOSFETs are driven alternately with some dead time. Therefore, INH and INL are driven with

alternating signals from the PWM controller. The input voltage can be up to 100V in this application.

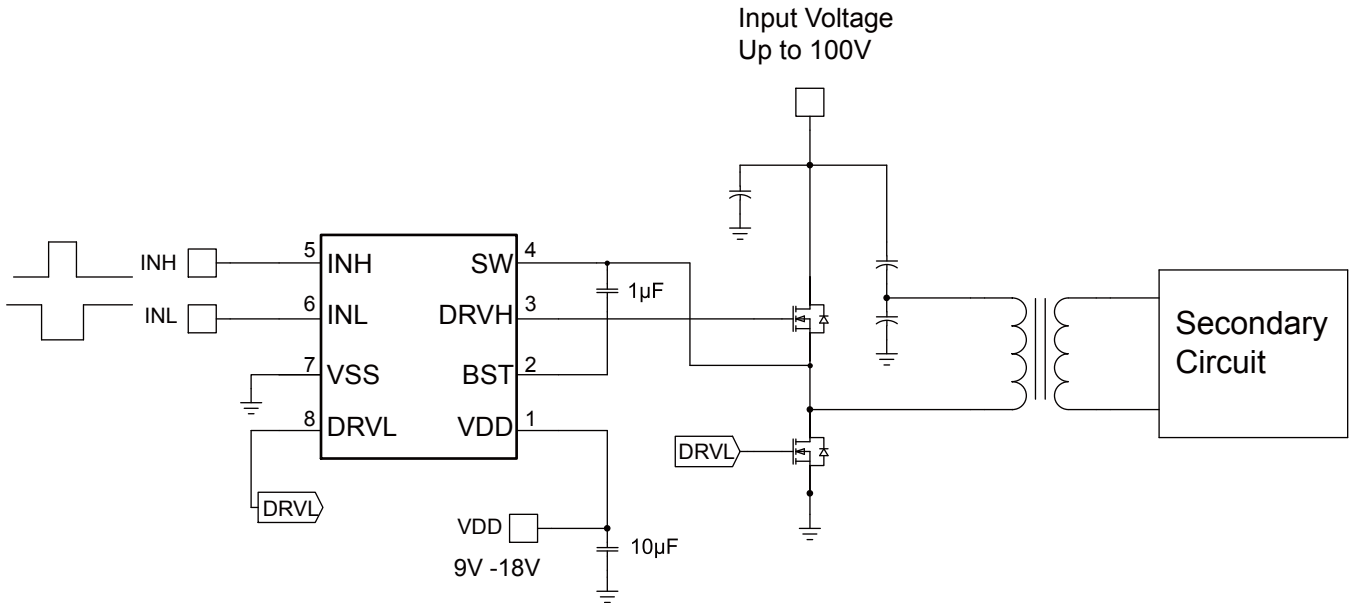


Figure 3 – Half Bridge Converter

Two-Switch Forward Converter

In two-switch forward converter topology, both MOSFETs are turned on and off together. The input signal (INH and INL) comes from the PWM controller, which senses the output voltage (and output current if current-mode control is used).

The Schottky diodes clamp the reverse swing of the power transformer and must be rated at the input voltage. The input voltage can be up to 100V in this circuit.

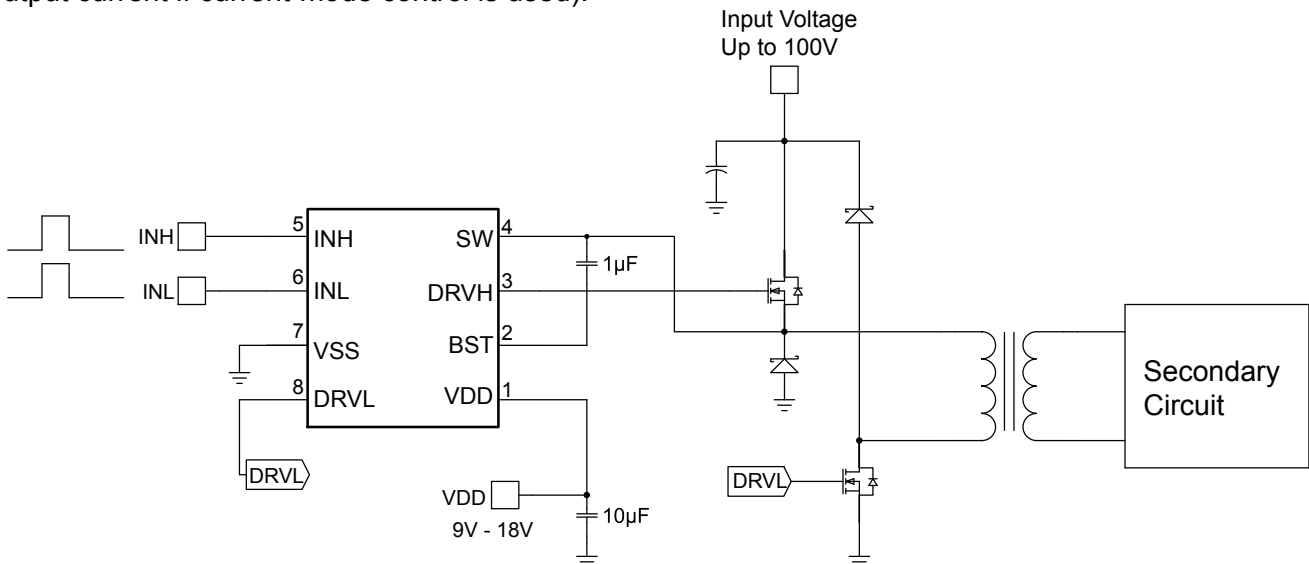


Figure 4 – Two-Switch Forward Converter

Active-Clamp Forward Converter

In active-clamp forward converter topology, the MOSFETs are driven alternately. The high-side MOSFET, along with capacitor C_{reset} , is used to reset the power transformer in a lossless manner.

This topology lends itself well to run at duty cycles exceeding 50%. For these reasons, the input voltage may not be able to run at 100V for this application.

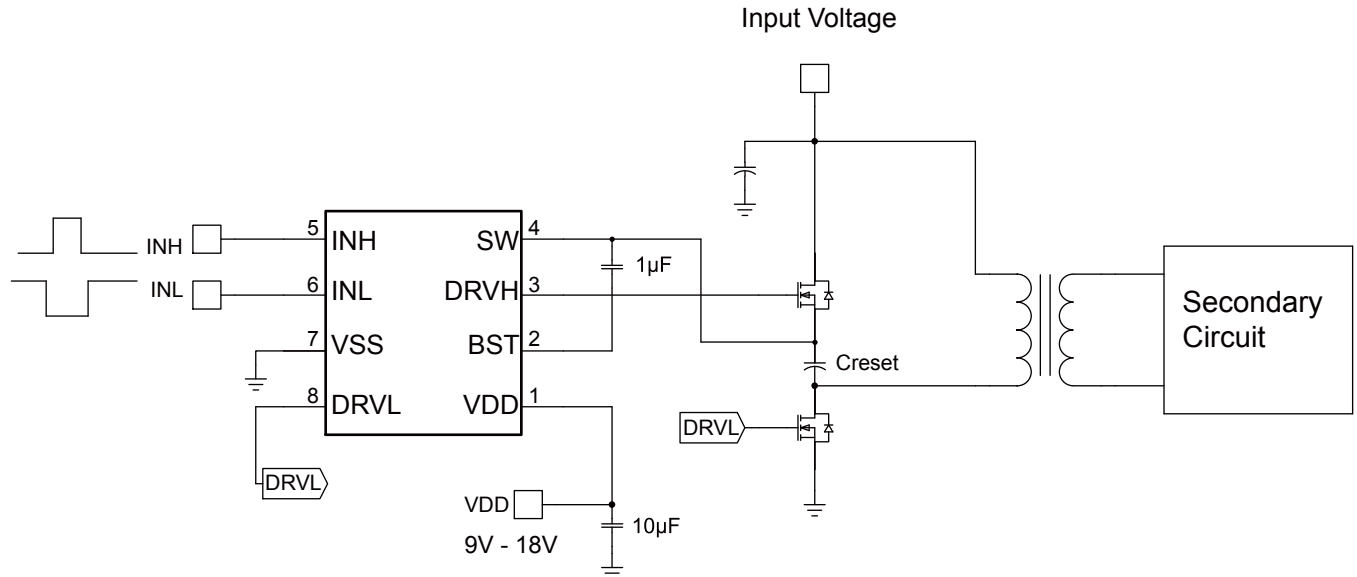
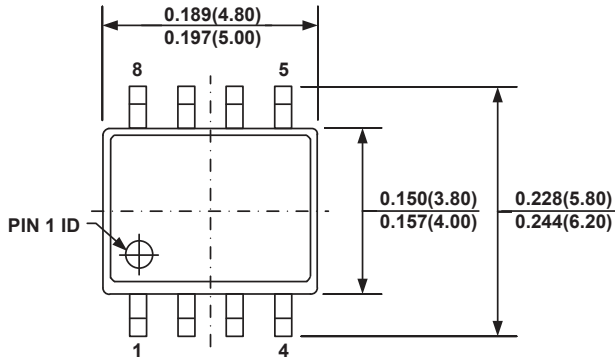
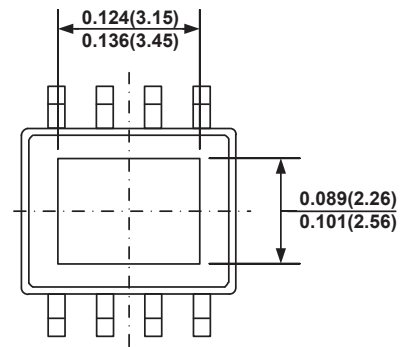
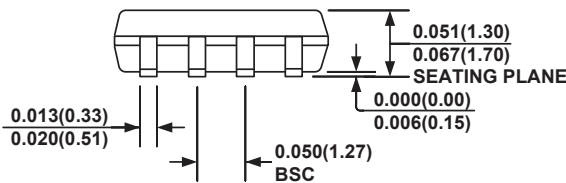
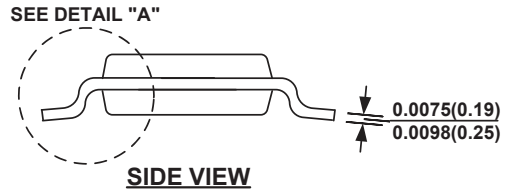
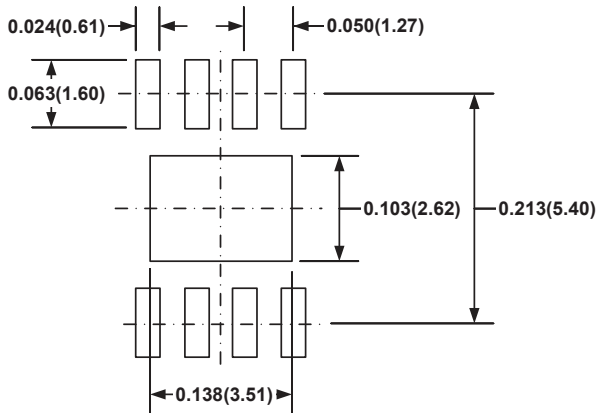
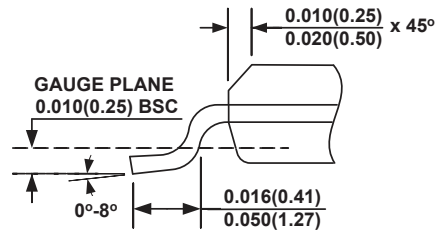
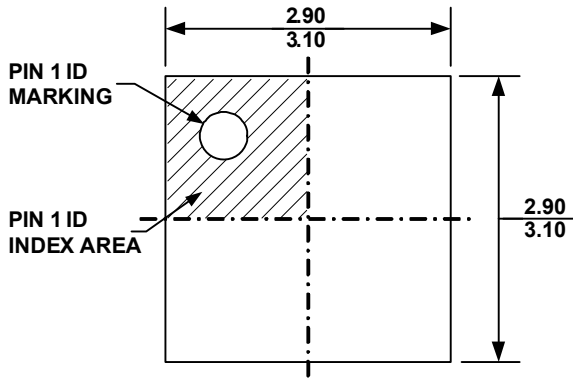


Figure 5 – Active-Clamp Forward Converter

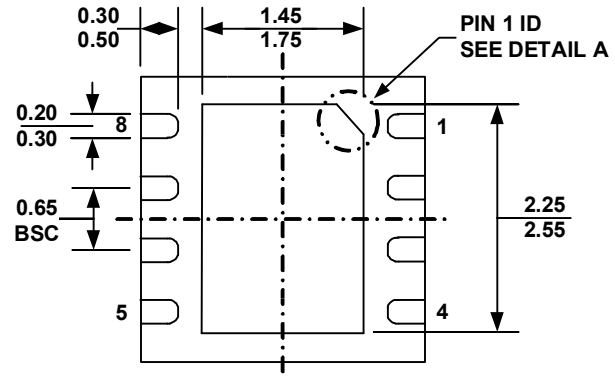
PACKAGE INFORMATION
SOIC8E

TOP VIEW

BOTTOM VIEW

FRONT VIEW

SIDE VIEW

RECOMMENDED LAND PATTERN

DETAIL "A"
NOTE:

- 1) CONTROL DIMENSION IS IN INCHES. DIMENSION IN BRACKET IS IN MILLIMETERS.
- 2) PACKAGE LENGTH DOES NOT INCLUDE MOLD FLASH, PROTRUSIONS OR GATE BURRS.
- 3) PACKAGE WIDTH DOES NOT INCLUDE INTERLEAD FLASH OR PROTRUSIONS.
- 4) LEAD COPLANARITY (BOTTOM OF LEADS AFTER FORMING) SHALL BE 0.004" INCHES MAX.
- 5) DRAWING CONFORMS TO JEDEC MS-012, VARIATION BA.
- 6) DRAWING IS NOT TO SCALE.

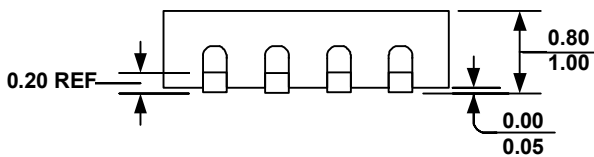
QFN8 (3×3mm)



TOP VIEW



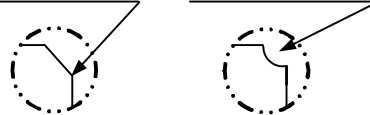
BOTTOM VIEW



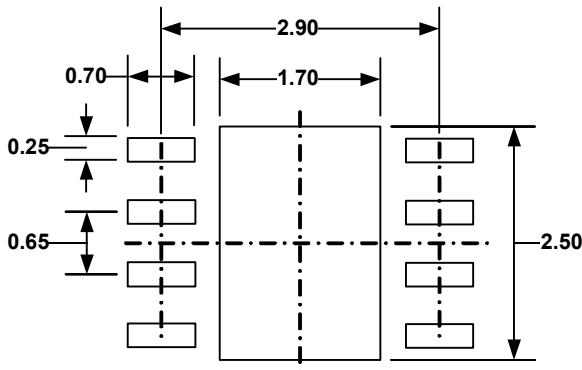
SIDE VIEW

PIN 1 ID OPTION A
0.30x45° TYP.

PIN 1 ID OPTION B
R0.20 TYP.



DETAIL A



RECOMMENDED LAND PATTERN

NOTE:

- 1) ALL DIMENSIONS ARE IN MILLIMETERS
- 2) EXPOSED PADDLE SIZE DOES NOT INCLUDE MOLD FLASH
- 3) LEAD COPLANARITY SHALL BE 0.10 MILLIMETER MAX
- 4) DRAWING CONFORMS TO JEDEC MO-229, VARIATION VEEC-2.
- 5) DRAWING IS NOT TO SCALE

NOTICE: The information in this document is subject to change without notice. Users should warrant and guarantee that third party Intellectual Property rights are not infringed upon when integrating MPS products into any application. MPS will not assume any legal responsibility for any said applications.