



Chipsmall Limited consists of a professional team with an average of over 10 year of expertise in the distribution of electronic components. Based in Hongkong, we have already established firm and mutual-benefit business relationships with customers from,Europe,America and south Asia,supplying obsolete and hard-to-find components to meet their specific needs.

With the principle of “Quality Parts,Customers Priority,Honest Operation,and Considerate Service”,our business mainly focus on the distribution of electronic components. Line cards we deal with include Microchip,ALPS,ROHM,Xilinx,Pulse,ON,Everlight and Freescale. Main products comprise IC,Modules,Potentiometer,IC Socket,Relay,Connector.Our parts cover such applications as commercial,industrial, and automotives areas.

We are looking forward to setting up business relationship with you and hope to provide you with the best service and solution. Let us make a better world for our industry!



## Contact us

Tel: +86-755-8981 8866 Fax: +86-755-8427 6832

Email & Skype: info@chipsmall.com Web: www.chipsmall.com

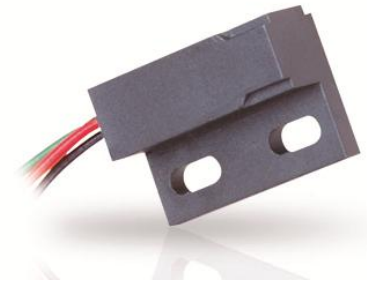
Address: A1208, Overseas Decoration Building, #122 Zhenhua RD., Futian, Shenzhen, China



# Magnetic Proximity Sensors (Reed)

## MP2019 Sensors

Reed based magnetic proximity sensor  
in plastic flange-mount package



### Description

The MP2 Series sensors are reed position sensors. Normally open or closed contacts change states when a magnetic field is applied. The sensors act as non-latching electrical switches.

### Features

- Contacts hermetically sealed for long life
- Zero power consumption
- Suitable for DC and AC circuits
- Flange mount
- RoHS compliant
- IP65
- Operate/Release Distances\*: 10.16 mm – 22.86 mm (0.4" – 0.9")

### Typical Applications

- Door position & interlock
- Limit switch
- Flow/speed
- Home security
- Pedal switch

### Environmental Specifications

Vibration	20 g 10 Hz to 1 kHz (MP201901), 20 g 10 Hz to 55 Hz (MP201902, M201903)
Operating Temperature	-40 °C to 105 °C (-40 °F to 221 °F)
Storage Temperature	-40 °C to 105 °C (-40 °F to 221 °F)
Ingress Protection	IP65

### Electrical Specifications

Typical Operating Time	1 ms
Breakdown Voltage	200 VDC min.
Switching Voltage and Current	See Products chart
Contact Resistance and Power rating:	See Products chart

### Mechanical Specifications

Housing Material	Glass-reinforced plastic
Operate/Release Distances*	10.16 mm – 22.86 mm (0.4" – 0.9")
*with AS201901 magnetic actuator	

### Products

Part Number	Contact Form	Maximum Power Rating	Maximum Switching Voltage	Maximum Switching Current	Maximum Contact Resistance
MP201901	SPST-NO Form A	10 W	175 VAC/VDC	0.5 A	0.200 Ω
MP201902	SPST-NC Form B	3 W	30 VAC/VDC	0.2 A	0.100 Ω
MP201903	SPST-NC Form C	3 W	30 VAC/VDC	0.2 A	0.100 Ω

All MP2019 sensors come with leads 24 AWG x 305 mm (12")

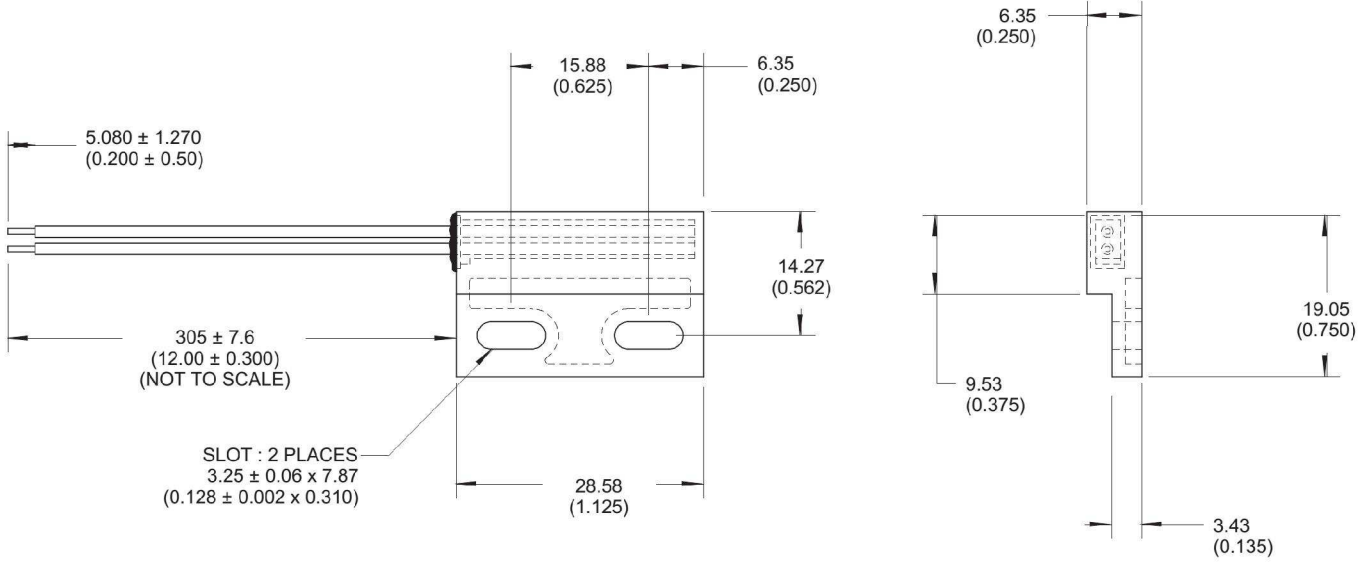
PLEASE NOTE

CHERRY  
will become  
ZF in 2017.

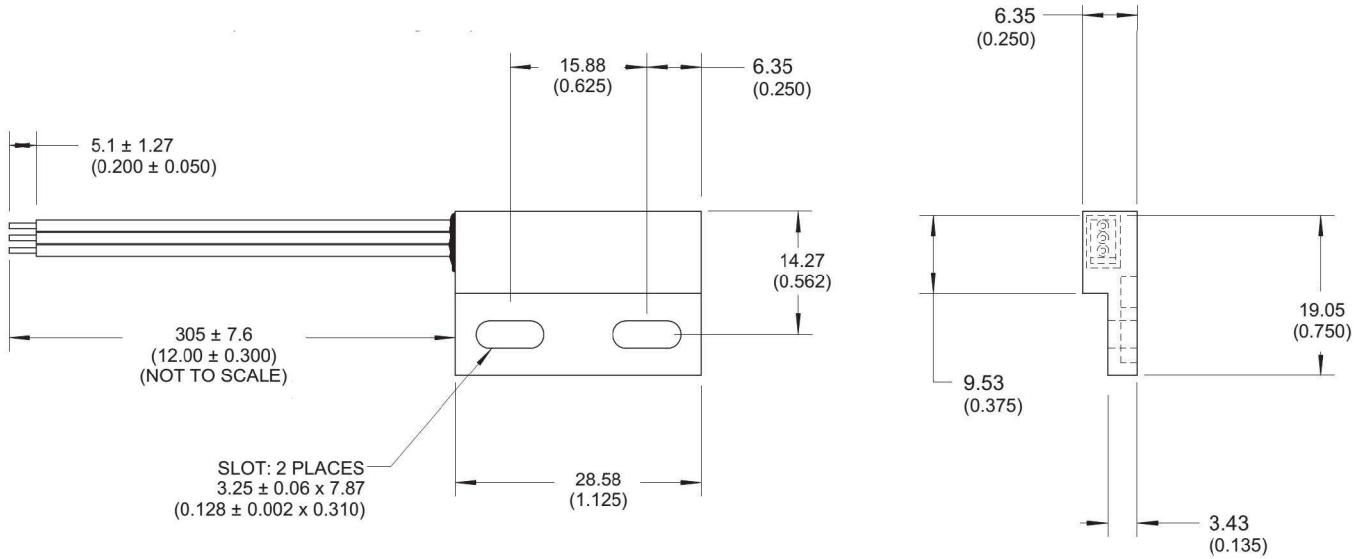


**Dimensions mm (inches)**

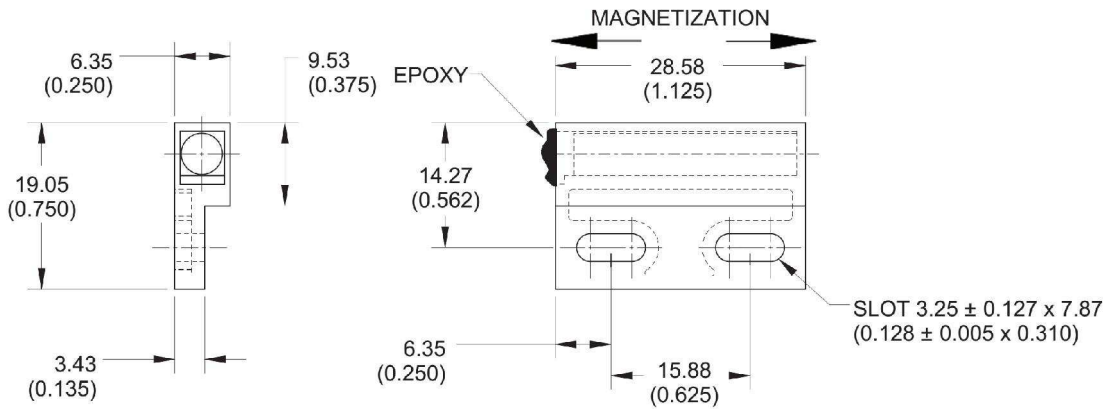
MP201901 (Form A - N.O.) and MP201902 (Form B - N.C.)



MP201903 (Form C - SPDT Changeover)



MAGNETIC ACTUATOR AS201901



ALNICO 8 MAGNET, VALOX 420 SEO CAPSULE