



Chipsmall Limited consists of a professional team with an average of over 10 year of expertise in the distribution of electronic components. Based in Hongkong, we have already established firm and mutual-benefit business relationships with customers from,Europe,America and south Asia,supplying obsolete and hard-to-find components to meet their specific needs.

With the principle of “Quality Parts,Customers Priority,Honest Operation,and Considerate Service”,our business mainly focus on the distribution of electronic components. Line cards we deal with include Microchip,ALPS,ROHM,Xilinx,Pulse,ON,Everlight and Freescale. Main products comprise IC,Modules,Potentiometer,IC Socket,Relay,Connector.Our parts cover such applications as commercial,industrial, and automotives areas.

We are looking forward to setting up business relationship with you and hope to provide you with the best service and solution. Let us make a better world for our industry!



Contact us

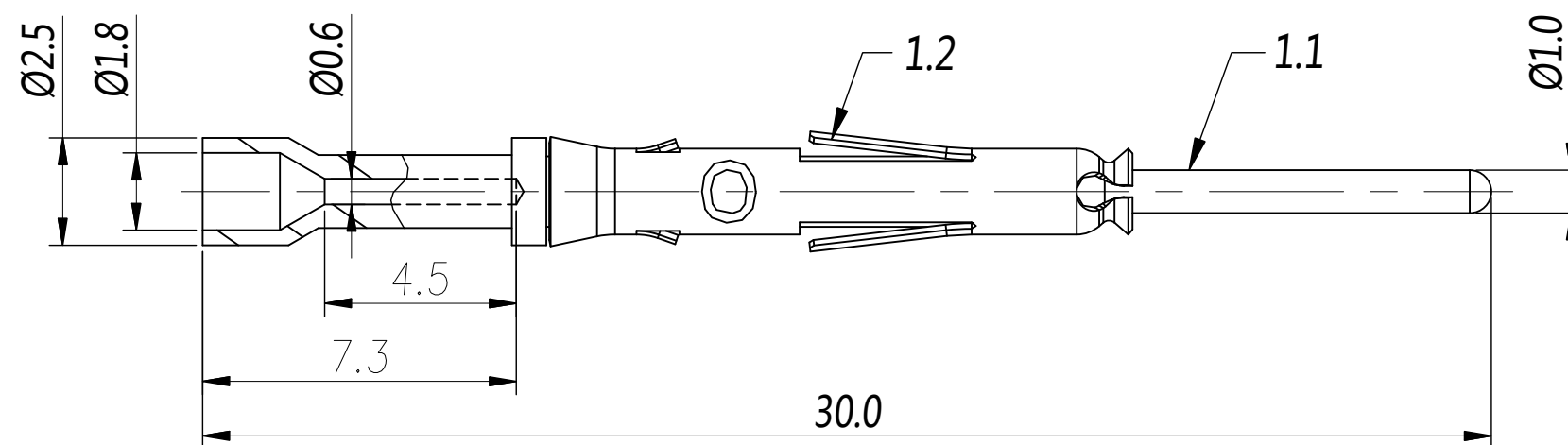
Tel: +86-755-8981 8866 Fax: +86-755-8427 6832

Email & Skype: info@chipsmall.com Web: www.chipsmall.com

Address: A1208, Overseas Decoration Building, #122 Zhenhua RD., Futian, Shenzhen, China



| REVISIONS | | | | | |
|-----------|-----|------------------|-------------|-----|-------|
| REV | ECO | DESCRIPTION | DATE | BY | APPR |
| B1 | - | RELEASED DRAWING | JULY-1-2014 | BEN | TOMMY |



NOTES : (UNLESS OTHERWISE SPECIFIED)

1. MATERIAL :
 - 1.1. CONTACT BODY : COPPER ALLOY.
 - 1.2. OUTER SPRING : STAINLESS STEEL.
2. SPECIFICATIONS :
 - 2.1 CURRENT RATING : 7.5A(MAX).
 - 2.2 TERMINATION TYPE : CRIMPING.
 - 2.3 WIRE RANGE : 30~28AWG.
3. SUITABLE SOCKET TYPE : MS28W23xx.
4. ROHS COMPLIANT.
5. ALL DIMENSIONS ARE FOR REFERENCE USE ONLY.

| P/N | CONTACT PLATING(MATING AREA) |
|------------|---------------------------------|
| MP28W23F | GOLD FLASH PLATING OVER NICKEL. |
| MP28W23G10 | 10μ"GOLD PLATING OVER NICKEL. |
| MP28W23G15 | 15μ"GOLD PLATING OVER NICKEL. |
| MP28W23G30 | 30μ"GOLD PLATING OVER NICKEL. |

| QUANTITY | PART NUMBER | DESCRIPTION | ITEM | | | | | | | | | | |
|---|-------------|---|--|------|------------|-------------|----------|---|-----------|-----------|-----------|--|---|
| MATERIALS LIST | | | | | | | | | | | | | |
| UNLESS OTHERWISE SPECIFIED 1) All dimensions are in metric(mm). 2) Tolerances are as follows: 1 PL DEC ±0.30 2 PL DEC ±0.15 3 PL DEC ±0.08 Fractions ±1/64 Angles ±1° 3) Note reference = | | <table border="1"> <thead> <tr> <th>SIGNATURES</th> <th>DATE</th> </tr> </thead> <tbody> <tr> <td>DRAWN: BEN</td> <td>JULY-1-2014</td> </tr> <tr> <td>CHECKED:</td> <td></td> </tr> <tr> <td>ENGINEER:</td> <td></td> </tr> <tr> <td>APPROVAL:</td> <td></td> </tr> </tbody> </table> | SIGNATURES | DATE | DRAWN: BEN | JULY-1-2014 | CHECKED: | | ENGINEER: | | APPROVAL: | | <h2 style="text-align: center;">Amphenol</h2> <p style="text-align: center;">Sine Systems - www.amphenol-sine.com 44724 Morley Drive Clinton Township, MI 48036</p> |
| SIGNATURES | DATE | | | | | | | | | | | | |
| DRAWN: BEN | JULY-1-2014 | | | | | | | | | | | | |
| CHECKED: | | | | | | | | | | | | | |
| ENGINEER: | | | | | | | | | | | | | |
| APPROVAL: | | | | | | | | | | | | | |
| MATERIAL SPECIFICATIONS: | | CUSTOMER: | <p style="text-align: center;">ECO-MATE, PIN CONTACT MACHINE, 30-28AWG, SIZE 20</p> | | | | | | | | | | |
| PROCESS SPECIFICATIONS: | | THIS DRAWING IS SUPPLIED FOR INFORMATION ONLY. DESIGN FEATURES, SPECIFICATIONS AND PERFORMANCE DATA SHOWN HEREON ARE THE PROPERTY OF THE AMPHENOL CORPORATION. NO RIGHTS OF REPRODUCTION ARE IMPLIED. ALL DIMENSIONS ARE SUBJECT TO NORMAL MANUFACTURING VARIATIONS. | <table border="1"> <tr> <td>SIZE</td> <td>TYPE</td> <td>DWG NO:</td> <td>REVISION</td> </tr> <tr> <td>B</td> <td>C-</td> <td>MP28W23xx</td> <td>B1</td> </tr> </table> | SIZE | TYPE | DWG NO: | REVISION | B | C- | MP28W23xx | B1 | | |
| SIZE | TYPE | DWG NO: | REVISION | | | | | | | | | | |
| B | C- | MP28W23xx | B1 | | | | | | | | | | |
| NEXT ASSY: | | SCALE: NONE | SHEET 1 OF 1 | | | | | | | | | | |

TITLE: ECO-MATE, PIN CONTACT, MACHINE, 30-28AWG, SIZE 20
DWG NO: MP28W23xx
REV: B1
SH: 1
OF: 1