



Chipsmall Limited consists of a professional team with an average of over 10 year of expertise in the distribution of electronic components. Based in Hongkong, we have already established firm and mutual-benefit business relationships with customers from,Europe,America and south Asia,supplying obsolete and hard-to-find components to meet their specific needs.

With the principle of “Quality Parts,Customers Priority,Honest Operation,and Considerate Service”,our business mainly focus on the distribution of electronic components. Line cards we deal with include Microchip,ALPS,ROHM,Xilinx,Pulse,ON,Everlight and Freescale. Main products comprise IC,Modules,Potentiometer,IC Socket,Relay,Connector.Our parts cover such applications as commercial,industrial, and automotives areas.

We are looking forward to setting up business relationship with you and hope to provide you with the best service and solution. Let us make a better world for our industry!



## Contact us

Tel: +86-755-8981 8866 Fax: +86-755-8427 6832

Email & Skype: info@chipsmall.com Web: www.chipsmall.com

Address: A1208, Overseas Decoration Building, #122 Zhenhua RD., Futian, Shenzhen, China



# MP3V5050V, -50 to 0 kPa, Gauge Pressure Sensor

The MP3V5050V piezoresistive transducer is a state-of-the-art, monolithic, signal conditioned, silicon pressure sensor. This sensor combines advanced micromachining techniques, thin film metallization, and bipolar semiconductor processing to provide an accurate, high level analog output signal that is proportional to applied pressure. The MP3V5050V is optimized to perform with vacuum pressures on the P1 port.

### Features

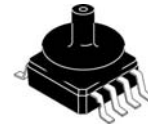
- 2.5% maximum error over 0 °C to 85 °C
- Ideally suited for microprocessor or microcontroller-based systems
- Temperature compensated over -40 °C to +125 °C
- Patented silicon shear stress strain gauge
- Durable thermoplastic (PPS) surface mount package
- Ideal for automotive and non-automotive applications

### Application examples

- Pump/motor control
- Robotics
- Level detectors
- Medical diagnostics
- Pressure switching
- Blood pressure measurement

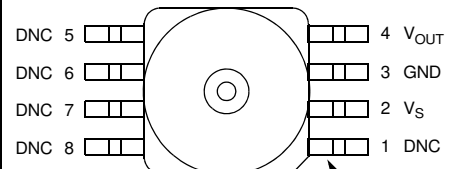
## MP3V5050V

### Small outline package



**MP3V5050V**  
Case 98ASB17757C

### Top view



Pin 1 identification: notch

### Pinout

| Ordering Information |          |             |            |        |      |               |              |          |                |
|----------------------|----------|-------------|------------|--------|------|---------------|--------------|----------|----------------|
| Part number          | Shipping | Package     | # of Ports |        |      | Pressure type |              |          | Device marking |
|                      |          |             | None       | Single | Dual | Gauge         | Differential | Absolute |                |
| MP3V5050VC6U         | Rail     | 98ASB17757C |            | .      |      | .             |              |          | MP3V5050V      |

Freescale reserves the right to change the detail specifications as may be required to permit improvements in the design of its products.

© 2008, 2010, 2015 Freescale Semiconductor, Inc. All rights reserved.



## Contents

|          |  |           |
|----------|--|-----------|
| <b>1</b> | <b>General Description</b> .....                                     | <b>3</b>  |
| 1.1      | Block diagram .....  | 3         |
| 1.2      | Pinout .....   | 3         |
| <b>2</b> | <b>Mechanical and Electrical Specifications</b> .....                | <b>4</b>  |
| 2.1      | Maximum Ratings .....  | 4         |
| 2.2      | Operating Characteristics .....                                      | 4         |
| <b>3</b> | <b>On-chip Temperature Compensation and Calibration</b> .....        | <b>5</b>  |
| <b>4</b> | <b>Package Information</b> .....                                     | <b>8</b>  |
| 4.1      | Minimum recommended footprint for surface mounted applications ..... | 8         |
| 4.2      | Package dimensions .....   | 9         |
| <b>5</b> | <b>Revision History</b> .....  | <b>10</b> |

## Related Documentation

The MP3V5050V device features and operations are described in a variety of reference manuals, user guides, and application notes. To find the most-current versions of these documents:

1. Go to the Freescale homepage at:  
<http://www.freescale.com/>
2. In the Keyword search box at the top of the page, enter the device number MP3V5050V.
3. In the Refine Your Result pane on the left, click on the Documentation link.

### MP3V5050V

# 1 General Description

## 1.1 Block diagram

Figure 1 shows a block diagram of the internal circuitry integrated on a pressure sensor chip.

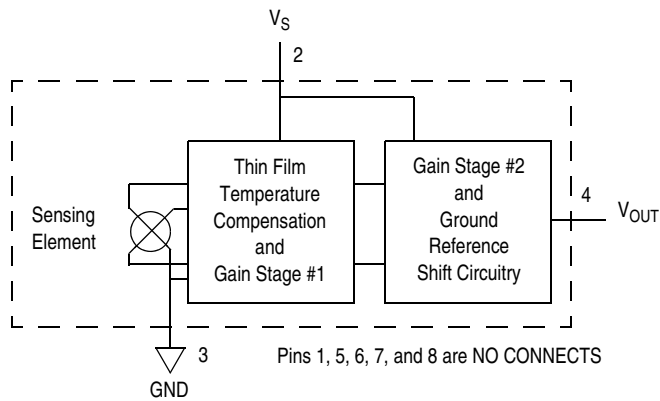


Figure 1. Fully integrated pressure sensor block diagram

## 1.2 Pinout

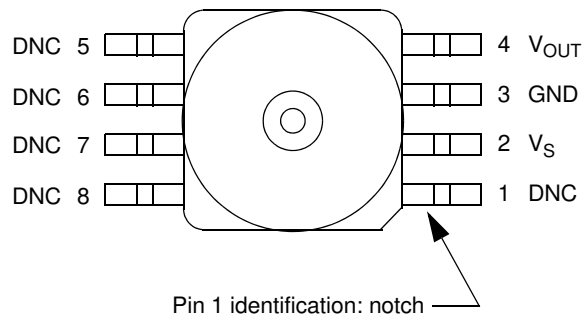


Figure 2. Device pinout (top view)

Table 1. Pin functions

| Pin | Name      | Function   |
|-----|-----------|--|
| 1   | DNC       | Do not connect to external circuitry or ground. Pin 1 is notated by the notch in the lead. |
| 2   | $V_S$     | Voltage supply   |
| 3   | GND       | Ground   |
| 4   | $V_{OUT}$ | Output voltage   |
| 5   | DNC       | Do not connect to external circuitry or ground.  |
| 6   | DNC       | Do not connect to external circuitry or ground.  |
| 7   | DNC       | Do not connect to external circuitry or ground.  |
| 8   | DNC       | Do not connect to external circuitry or ground.  |

## 2 Mechanical and Electrical Specifications

### 2.1 Maximum ratings

**Table 2. Maximum ratings<sup>(1)</sup>**

| Rating                     | Symbol    | Value         | Unit |
|----------------------------|-----------|---------------|------|
| Maximum pressure (P1 > P2) | $P_{max}$ | 200           | kPa  |
| Storage temperature        | $T_{stg}$ | -40° to +125° | °C   |
| Operating temperature      | $T_A$     | -40° to +125° | °C   |

1.Exposure beyond the specified limits may cause permanent damage or degradation to the device.

### 2.2 Operating characteristics

**Table 3. Operating characteristics** ( $V_S = 3.0 V_{DC}$ ,  $T_A = 25 °C$  unless otherwise noted,  $P1 > P2$ )

| Characteristic   | Symbol    | Min  | Typ  | Max  | Unit             |
|--|-----------|------|------|------|------------------|
| Pressure range   | $P_{OP}$  | -50  | —    | 0    | kPa              |
| Supply voltage <sup>(1)</sup>  | $V_S$     | 2.7  | 3.0  | 3.3  | $V_{DC}$         |
| Supply current   | $I_O$     | —    | 7.0  | 10   | mA <sub>dc</sub> |
| Full-scale output <sup>(2)</sup> (0° to 85°C) @ $V_S = 3.0$ Volts, ( $P_{diff} = 0$ kPa) | $V_{FSO}$ | 2.7  | 2.8  | 2.9  | $V_{DC}$         |
| Full-scale span <sup>(3)</sup> (0 °C to 85 °C) @ $V_S = 3.0$ Volts                       | $V_{FSS}$ | —    | 2.7  | —    | $V_{DC}$         |
| Accuracy <sup>(4)</sup> (0 °C to 85 °C)  | —         | —    | —    | ±2.5 | % $V_{FSS}$      |
| Sensitivity  | V/P       | —    | 54   | —    | mV/kPa           |
| Response time <sup>(5)</sup>   | $t_R$     | —    | 1.0  | —    | ms               |
| Warm-up time <sup>(6)</sup>  | —         | —    | 20   | —    | ms               |
| Offset stability <sup>(7)</sup>  | —         | —    | ±0.5 | —    | % $V_{FSS}$      |
| Pressure offset <sup>(8)</sup> (0 °C to 85 °C)   | $V_{OFF}$ | 0.06 | 0.12 | 0.19 | $V_{DC}$         |

1.Device is ratiometric within this specified excitation range.

2.Full-scale output ( $V_{FSO}$ ) is defined as the output voltage at the maximum or full-rated pressure.

3.Full-scale span ( $V_{FSS}$ ) is defined as the algebraic difference between the output voltage at full-rated pressure and the output voltage at the minimum rated pressure.

4. Accuracy is the deviation in actual output from nominal output over the entire pressure range and temperature range as a percent of span at 25 °C due to all sources of errors, including the following:

Linearity: Output deviation from a straight line relationship with pressure over the specified pressure range.

Temperature hysteresis: Output deviation at any temperature within the operating temperature range, after the temperature is cycled to and from the minimum or maximum operating temperature points, with zero differential pressure applied.

Pressure hysteresis: Output deviation at any pressure within the specified range, when this pressure is cycled to and from minimum or maximum rated pressure at 25 °C.

TcSpan: Output deviation over the temperature range of 0 °C to 85 °C, relative to 25 °C.

TcOffset: Output deviation with minimum pressure applied, over the temperature range of 0 °C to 85 °C, relative to 25 °C.

5. Response time is defined as the time for the incremental change in the output to go from 10% to 90% of its final value when subjected to a specified step change in pressure.

6. Warm-up time is defined as the time required for the product to meet the specified output voltage after the pressure has been stabilized.

7. Offset stability is the product's output deviation when subjected to 1000 hours of pulsed pressure, temperature cycling with bias test.

8.Offset ( $V_{OFF}$ ) is defined as the output voltage at the minimum rated pressure.

### 3 On-chip Temperature Compensation and Calibration

Figure 3 illustrates the differential/gauge sensing chip in the basic chip carrier.

Figure 4 shows the recommended decoupling circuit for interfacing the output of the integrated sensor to the A/D input of a microprocessor or microcontroller. Proper decoupling of the power supply is recommended.

Figure 5 shows the sensor output signal relative to pressure input. Typical minimum and maximum output curves are shown for operation over 0 °C to 85 °C temperature range. The output will saturate outside of the rated pressure range.

A fluorosilicone gel isolates the die surface and wire bonds from the environment, while allowing the pressure signal to be transmitted to the silicon diaphragm. The MP3V5050V pressure sensor operating characteristics, internal reliability and qualification tests are based on use of dry air as the pressure media. Media other than dry air may have adverse effects on sensor performance and long-term reliability. Contact the factory for information regarding media compatibility in your application.

The MP3V5050V is optimized to perform in vacuum pressures applied to port P1. The sensor is calibrated and temperature compensated to give a positive electrical output upon measuring a vacuum pressure up to the rated pressure of up to -50 kPa where the output will be the full-scale voltage listed in Table 3.

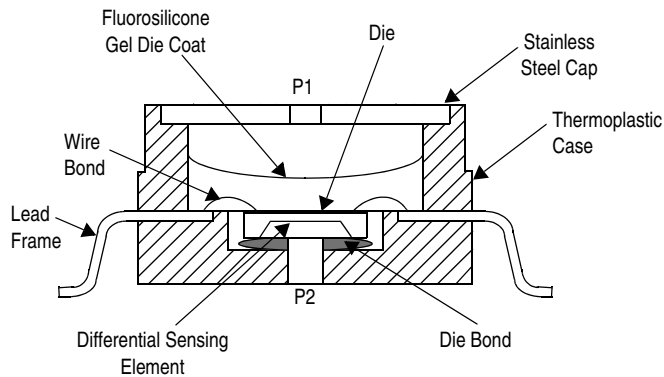


Figure 3. Cross-sectional diagram SOP (not-to-scale)

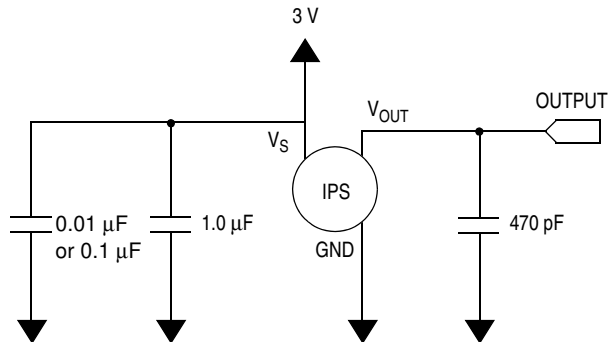
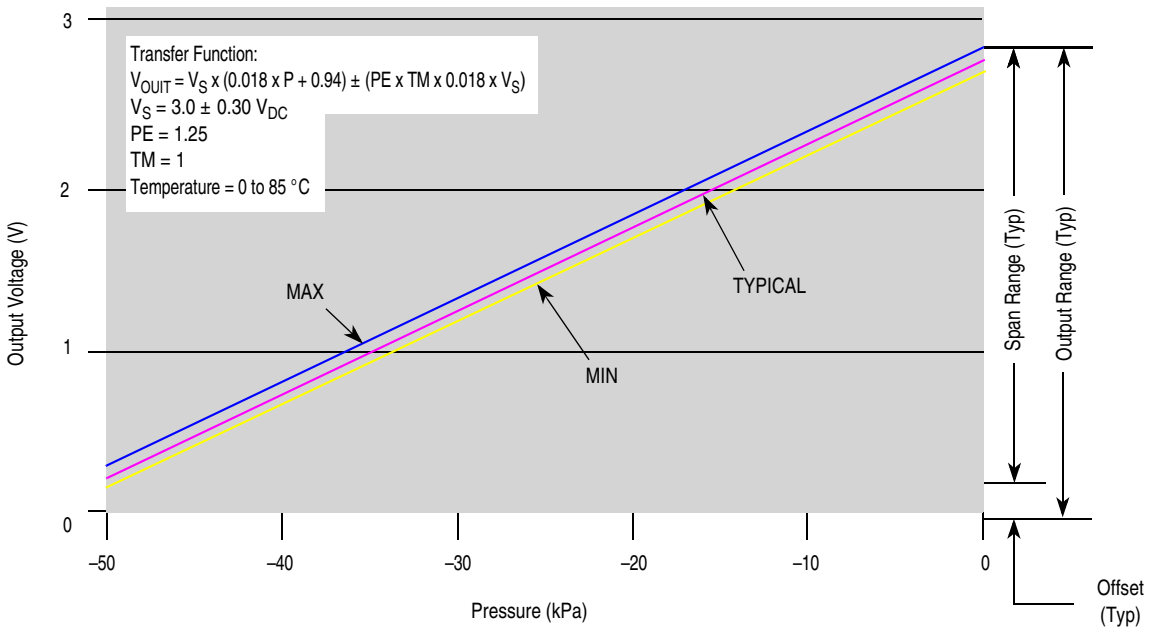


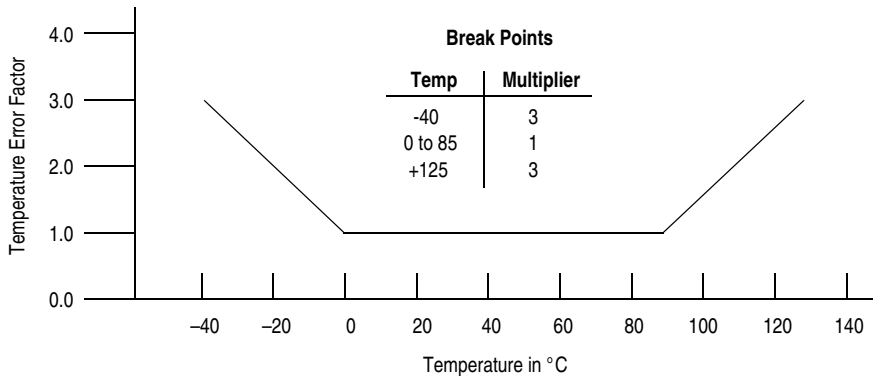
Figure 4. Recommended power supply decoupling and output filtering



**Figure 5. Output vs. pressure differential**

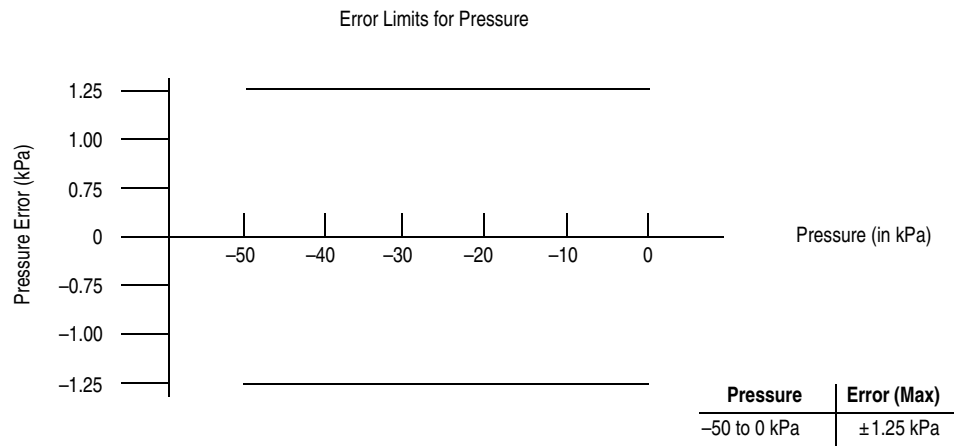
**Nominal Transfer Value:**  $V_{OUT} = V_S \times (0.018 \times P + 0.94) \pm (\text{Pressure Error} \times \text{Temp Multi} \times 0.018 \times V_S)$   
 $V_S = 3.0 \pm 0.3 \text{ V}$

**Figure 6. Transfer function**



NOTE: The Temperature Multiplier is a linear response from 0 °C to -40 °C and from 85 °C to 125 °C.

**Figure 7. Temperature error band**



**Figure 8. Pressure error band**



## 4 Package Information

### 4.1 Minimum recommended footprint for surface mounted applications

Surface mount board layout is a critical portion of the total design. The footprint for the semiconductor package must be the correct size to ensure proper solder connection interface between the board and the package. With the correct pad geometry, the packages will self-align when subjected to a solder reflow process. It is always recommended to fabricate boards with a solder mask layer to avoid bridging and/or shorting between solder pads, especially on tight tolerances and/or tight layouts.

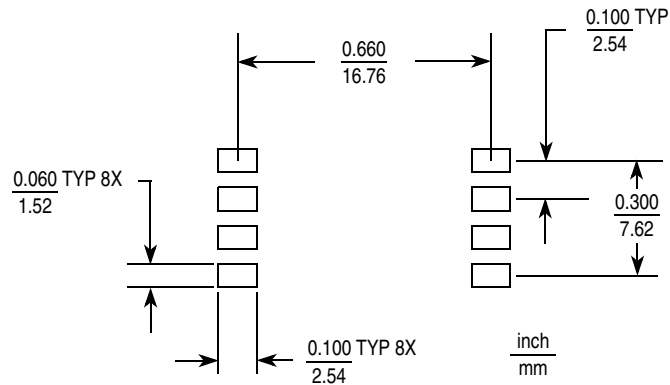
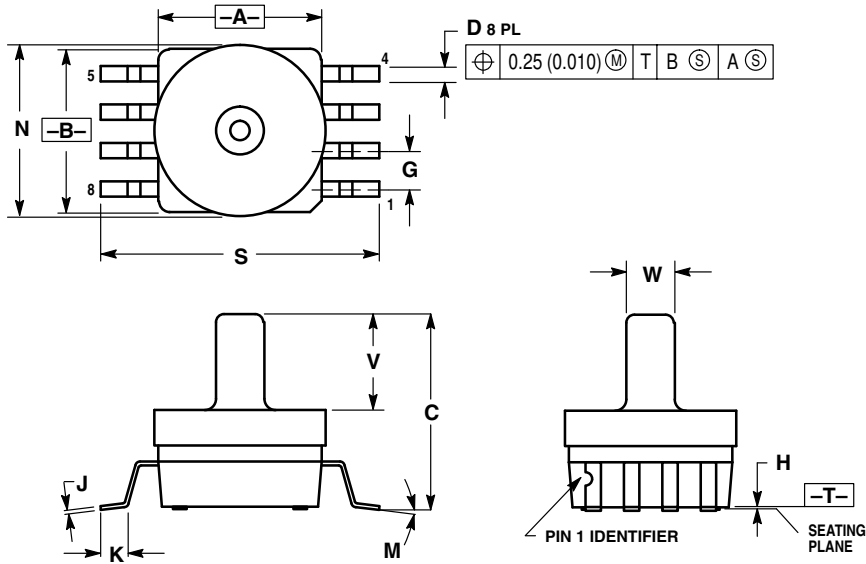


Figure 9. SOP footprint

## 4.2 Package dimensions

This drawing is located at [http://cache.freescale.com/files/shared/doc/package\\_info/98ASB17757C.pdf](http://cache.freescale.com/files/shared/doc/package_info/98ASB17757C.pdf).



| DIM | INCHES    |       | MILLIMETERS |       |
|-----|-----------|-------|-------------|-------|
|     | MIN       | MAX   | MIN         | MAX   |
| A   | 0.415     | 0.425 | 10.54       | 10.79 |
| B   | 0.415     | 0.425 | 10.54       | 10.79 |
| C   | 0.500     | 0.520 | 12.70       | 13.21 |
| D   | 0.038     | 0.042 | 0.96        | 1.07  |
| G   | 0.100 BSC |       | 2.54 BSC    |       |
| H   | 0.002     | 0.010 | 0.05        | 0.25  |
| J   | 0.009     | 0.011 | 0.23        | 0.28  |
| K   | 0.061     | 0.071 | 1.55        | 1.80  |
| M   | 0°        | 7°    | 0°          | 7°    |
| N   | 0.444     | 0.448 | 11.28       | 11.38 |
| S   | 0.709     | 0.725 | 18.01       | 18.41 |
| V   | 0.245     | 0.255 | 6.22        | 6.48  |
| W   | 0.115     | 0.125 | 2.92        | 3.17  |

Case 98ASB17757C, small outline package



## 5 Revision History

Table 4. Revision history

| Revision number | Revision date | Description  |
|-----------------|---------------|--|
| 2.1             | 09/2015       | <ul style="list-style-type: none"><li>• Updated format.</li><li>• Deleted part number MP3V5050VC6T1.</li><li>• Added vacuum pressure information to section 3.</li></ul> |



**How to Reach Us:**

**Home Page:**

freescale.com

**Web Support:**

freescale.com/support

Information in this document is provided solely to enable system and software implementers to use Freescale products. There are no express or implied copyright licenses granted hereunder to design or fabricate any integrated circuits based on the information in this document.

Freescale reserves the right to make changes without further notice to any products herein. Freescale makes no warranty, representation, or guarantee regarding the suitability of its products for any particular purpose, nor does Freescale assume any liability arising out of the application or use of any product or circuit, and specifically disclaims any and all liability, including without limitation consequential or incidental damages. "Typical" parameters that may be provided in Freescale data sheets and/or specifications can and do vary in different applications, and actual performance may vary over time. All operating parameters, including "typicals," must be validated for each customer application by customer's technical experts. Freescale does not convey any license under its patent rights nor the rights of others. Freescale sells products pursuant to standard terms and conditions of sale, which can be found at the following address: [freescale.com/salestermsandconditions](http://freescale.com/salestermsandconditions).

Freescale and the Freescale logo are trademarks of Freescale Semiconductor, Inc., Reg. U.S. Pat. & Tm. Off. All other product or service names are the property of their respective owners.

© 2008, 2010, 2015 Freescale Semiconductor, Inc.