



Chipsmall Limited consists of a professional team with an average of over 10 year of expertise in the distribution of electronic components. Based in Hongkong, we have already established firm and mutual-benefit business relationships with customers from,Europe,America and south Asia,supplying obsolete and hard-to-find components to meet their specific needs.

With the principle of “Quality Parts,Customers Priority,Honest Operation,and Considerate Service”,our business mainly focus on the distribution of electronic components. Line cards we deal with include Microchip,ALPS,ROHM,Xilinx,Pulse,ON,Everlight and Freescale. Main products comprise IC,Modules,Potentiometer,IC Socket,Relay,Connector.Our parts cover such applications as commercial,industrial, and automotives areas.

We are looking forward to setting up business relationship with you and hope to provide you with the best service and solution. Let us make a better world for our industry!



Contact us

Tel: +86-755-8981 8866 Fax: +86-755-8427 6832

Email & Skype: info@chipsmall.com Web: www.chipsmall.com

Address: A1208, Overseas Decoration Building, #122 Zhenhua RD., Futian, Shenzhen, China

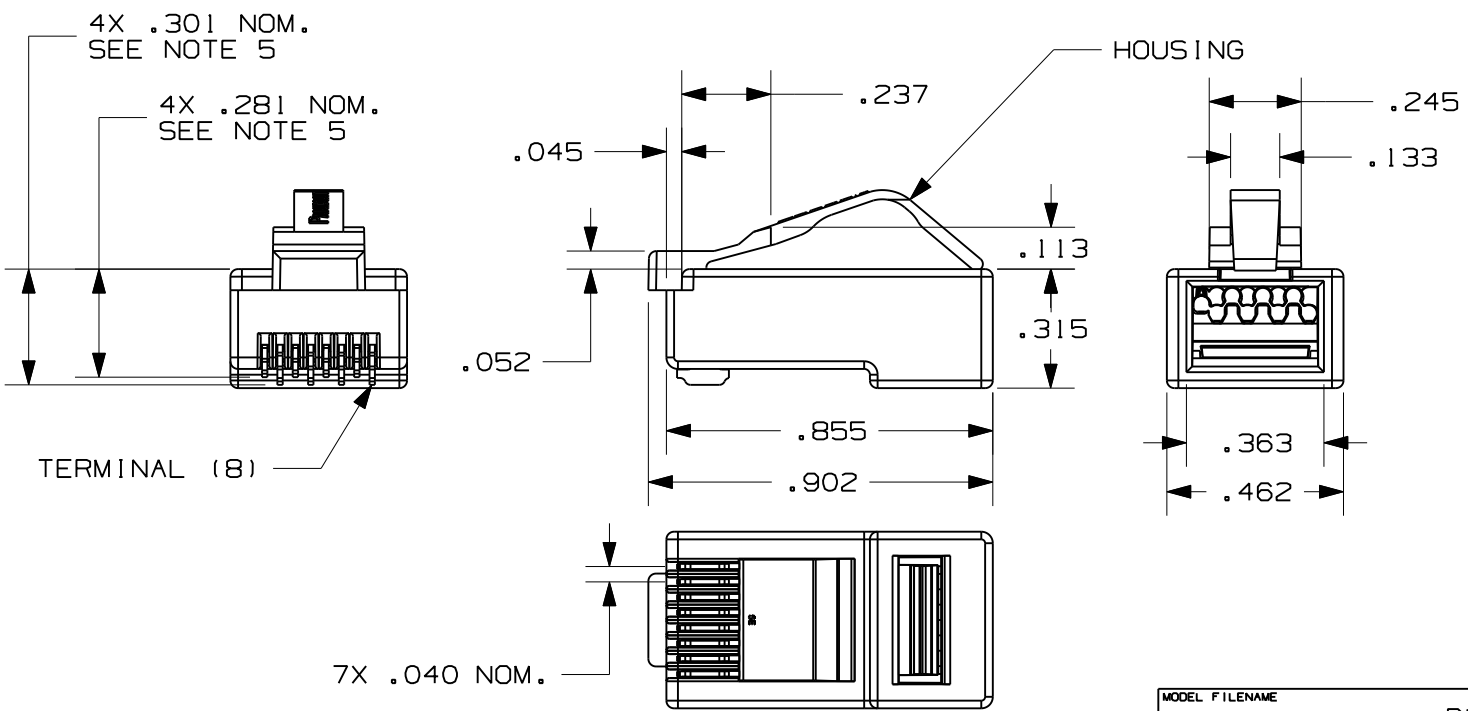


THIS COPY IS PROVIDED ON A RESTRICTED BASIS AND IS NOT TO BE USED IN ANY WAY DETRIMENTAL TO THE INTERESTS OF PANDUIT CORP.

PART NO.	PACKAGED
MP588-L	50/BAG
MP588-M	1000/BAG
MP588-C	100/BOX

NOTES:

- PART NUMBER: SEE TABLE.
- MATERIAL: HOUSING - THERMOPLASTIC UL94V-0 RATED; TERMINAL - PHOSPHOR BRONZE ELECTRO-POLISHED AND PLATED WITH .000050" MIN. GOLD IN MATING AREA, GOLD FLASH OVER REMAINDER, .000100" MIN. NICKEL UNDERPLATE.
- PLUG WILL ACCEPT MOST 24-26 AWG STRANDED OR SOLID CONDUCTOR WITH MAXIMUM INSULATOR DIAMETER OF .040".
- ALL DIMENSIONS MAXIMUM UNLESS OTHERWISE SPECIFIED.
- TERMINATED DIMENSIONS: .237±.005".



G F E

MODEL FILENAME	D35123JP/00	SIZE	A
DRAWING FILENAME	D35123AL_DC17/00E		

PAN-PLUG HIGH PERFORMANCE MODULAR PLUG CUSTOMER DRAWING

REV	DATE	BY	CHK	DESCRIPTION	ECN	R	CUST	SUP	OTH
04	1-7-10	BJN	EJH	G. UPDATED MODEL TO LATEST REVISIONS	35123-17		PBD		
03	7-13-07	BJN	EJH	F. UPDATED MODEL TO LATEST REVISIONS	35123-17	REGA			
02	4-7-06	NER	PBD	E. UPDATED TITLE BLOCK. D. REVISED NOTE 3.	35123-17	LDS		LDS	
01	11-14-00	LZ	RAV	C. TITLE WAS "MOD. PLUG ASSY 8 POS ...CUST. DWG. B. ADDED MP588-C TO CHART A. MP588-M WAS CARTON	35123-17	LDS		LDS	
R	9-14-00	LZ	RAV	RELEASED TO PRODUCTION	35123-17	LDS			

<p>PANDUITTM CORP. TINLEY PARK, ILL 60477</p>	I.I. NUMBER
	PRODUCT SPEC/ PKG SPEC
<p>THIRD ANGLE PROJECTION</p>	ASSY METHOD/ TEST METHOD
	SCALE
DRAWN BY	PART NO.
DATE	MP588 - *
CHK'D	DRAWING NO.
RAV	35123-17
REVIEW DRAWING NUMBERS	
MAT'L	AS NOTED

C