



Chipsmall Limited consists of a professional team with an average of over 10 year of expertise in the distribution of electronic components. Based in Hongkong, we have already established firm and mutual-benefit business relationships with customers from,Europe,America and south Asia,supplying obsolete and hard-to-find components to meet their specific needs.

With the principle of "Quality Parts,Customers Priority,Honest Operation,and Considerate Service",our business mainly focus on the distribution of electronic components. Line cards we deal with include Microchip,ALPS,ROHM,Xilinx,Pulse,ON,Everlight and Freescale. Main products comprise IC,Modules,Potentiometer,IC Socket,Relay,Connector.Our parts cover such applications as commercial,industrial, and automotives areas.

We are looking forward to setting up business relationship with you and hope to provide you with the best service and solution. Let us make a better world for our industry!



Contact us

Tel: +86-755-8981 8866 Fax: +86-755-8427 6832

Email & Skype: info@chipsmall.com Web: www.chipsmall.com

Address: A1208, Overseas Decoration Building, #122 Zhenhua RD., Futian, Shenzhen, China





The Future of Analog IC Technology®

MP6914

Ideal Diode for Solar Panel Bypass and General OR-ing Circuits

DESCRIPTION

The MP6914 is an ideal diode that integrates a 30V, 5.3mΩ power MOSFET to replace bypass diodes in photovoltaic panel. The power loss can be significantly reduced with the MP6914 due to its low voltage drop and reverse leakage current. The part is available with SOIC8-EP package.

FEATURES

- Integrated 5.3mΩ 30V Power Switch
- Very low reverse leakage current
- Rugged design for long lifetime
- Available in SOIC8-EP package

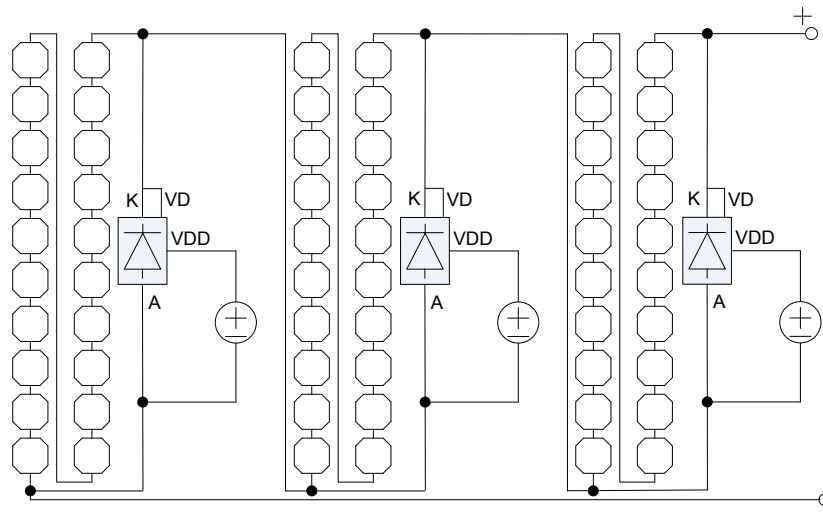
APPLICATIONS

- Bypass diode in photovoltaic panels
- OR-ing circuit

All MPS parts are lead-free, halogen free, and adhere to the RoHS directive. For MPS green status, please visit MPS website under Quality Assurance.

"MPS" and "The Future of Analog IC Technology" are Registered Trademarks of Monolithic Power Systems, Inc.

TYPICAL APPLICATION

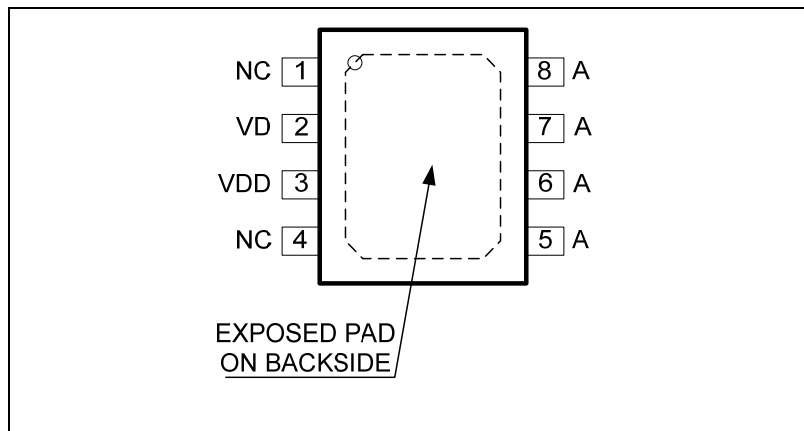


ORDERING INFORMATION

Part Number*	Package	Top Marking
MP6914DN	SOIC8E	MP6914

* For Tape & Reel, add suffix -Z (e.g. MP6914DN-Z);
 For RoHS, compliant packaging, add suffix -LF (e.g. MP6914DN-LF-Z).

PACKAGE REFERENCE



ABSOLUTE MAXIMUM RATINGS ⁽¹⁾

Cathode to Anode -0.8V to +30V
 Continuous Power Dissipation (T_A = +25°C) ⁽²⁾
 2.5W
 Junction Temperature 150°C
 Lead Temperature (Solder) 260°C
 Storage Temperature -55°C to +150°C

Recommended Operation Conditions ⁽³⁾

V_{DD} to Anode 6V to 24V
 Operating Junction Temp. (T_J). -40°C to +125°C

Thermal Resistance ⁽⁴⁾	θ_{JA}	θ_{JC}
SOIC8E	50	10 ... °C/W

Notes:

- Exceeding these ratings may damage the device.
- The maximum allowable power dissipation is a function of the maximum junction temperature T_J(MAX), the junction-to-ambient thermal resistance θ_{JA} , and the ambient temperature T_A. The maximum allowable continuous power dissipation at any ambient temperature is calculated by $D(MAX) = (T_J(MAX) - T_A) / \theta_{JA}$. Exceeding the maximum allowable power dissipation will cause excessive die temperature, and the regulator will go into thermal shutdown. Internal thermal shutdown circuitry protects the device from permanent damage.
- The device is not guaranteed to function outside of its operating conditions.
- Measured on JESD51-7, 4-layer PCB.

ELECTRICAL CHARACTERISTICS

T_A= +25°C, unless otherwise noted.

Parameter	Symbol	Conditions	Min	Typ	Max	Units
VDD Voltage Range	V _{DD}		6		24	V
VDD UVLO Rising	V _{DD_RS}		3.4	3.8	4.2	V
VDD UVLO Hysteresis	V _{DD_HS}		0	0.6	1	V
Operating Current	I _{op}	V _{DD} =12V, V _{AK} =0.5V		1	2	mA
Quiescent Current	I _q	V _{DD} =12V, V _{AK} =0V	60	90	120	µA
A-K Forward Voltage	V _{fwd}	I _{AK} =1A	20	30	40	mV
A-K Forward Voltage	V _{fwd}	I _{AK} =10A, T _j =25°C		53		mV
		I _{AK} =10A, T _j =75°C		61		mV
Turn-off Total Delay	T _{Doff}		2	4	6	µs
POWER SWITCH SECTION						
Drain-Source Breakdown Voltage ⁽⁵⁾	V _{(BR)DSS}	V _{GS} =0V, I _{KA} =250µA	30	32		V
Gate-Threshold Voltage	V _{GS_th}	V _{DS} =V _{GS} , I _{KA} =250µA		1.9		V
AK Turn-on Threshold	V _{AK_ON}	V _{DD} =12V		125	250	mV
Gate-Body Leakage	I _{GS}	V _{DS} =0V, V _{GS} =±12V		±100		nA
Leakage Current	I _{LK}	From K to A, V _{DD} =0V			1	µA
Drain-Source On-State Resistance	R _{DS(ON)}	V _{GS} =10V,, I _D =10A, T _j =25°C		5.3		mΩ
		V _{GS} =10V,, I _D =10A, T _j =75°C		6.1		mΩ
Input Capacitance	C _{iss}	V _{DS} =30V, f=1MHz		2800		pF
Output Capacitance	C _{oss}			450		pF
Reverse Transfer Capacitance	C _{rss}			300		pF
Body Diode Characteristics						
Diode Forward Voltage	V _{AK}	V _{DD} =2.5V, I _{AK} =1A		0.7	0.8	V

Note:

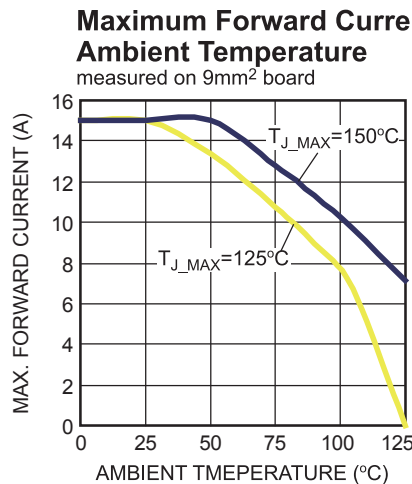
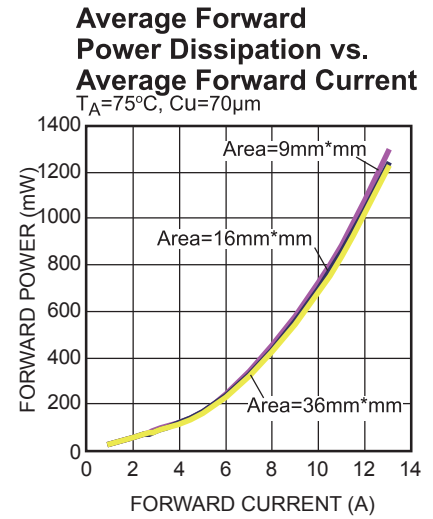
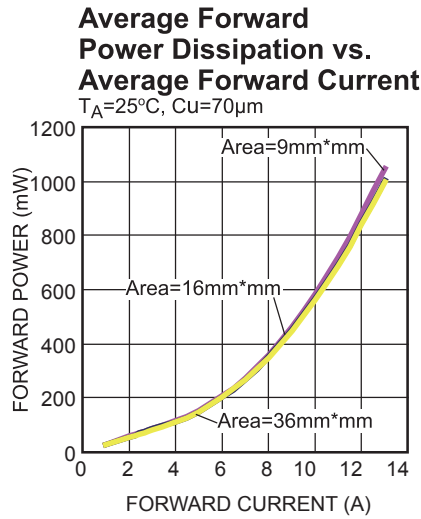
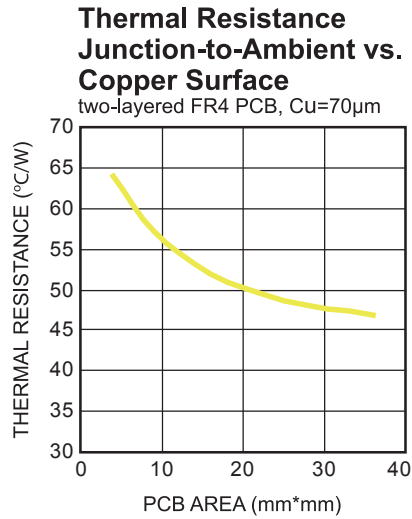
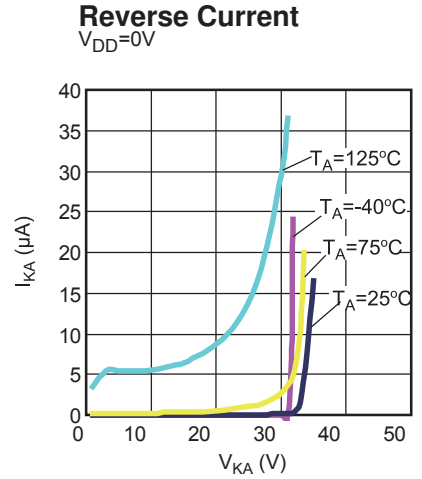
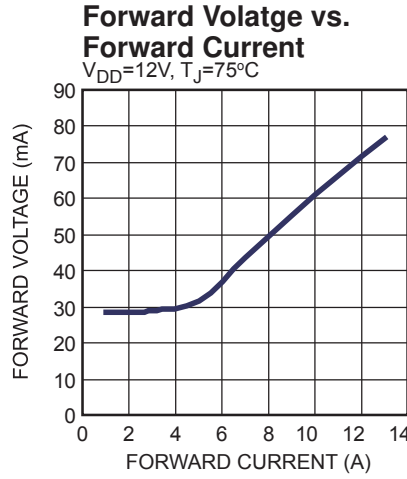
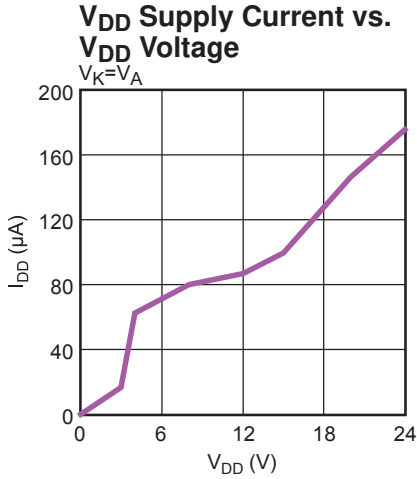
5) D is K, S is A, refer to "BLOCK DIAGRAM"

PIN FUNCTIONS

Pin #	Name	Description
1,4	NC	No Connection
2	VD	Drain voltage sense, need to connect K pin.
3	VDD	Supply Voltage, reference to anode.
5-8	A	FET Source, also used as diode anode
EP	K	FET Drain, also used as diode cathode

TYPICAL PERFORMANCE CHARACTERISTICS

V_{DD}=12V, T_A=+25°C, tested on two-layered FR4 PCB with 70µm Cu, otherwise noted



BLOCK DIAGRAM

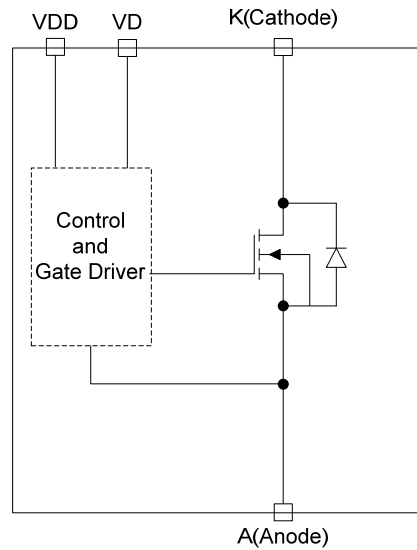


Figure 1—Function Block Diagram

OPERATION

Photovoltaic cells can not generate power in some conditions, such as clouds or fog. Due to the mismatch currents between the series connected cells, the shaded cells will work like a load while the good cells still produce power. They dissipate power instead of generating power and cause hot spot. To protect the PV from the damage due to hot spot, bypass diodes in PV junction box are commonly used to allow the current pass around the shaded PV cells. MP6914 is comprised of an internal power MOSFET and control circuits. It need an external power for VDD and behaves like a diode. Compared with a bypass diode, MP6914 has significantly low forward voltage drop and a very low reverse leakage current.

Turn-on Phase

When current goes through the internal body diode, the body diode voltage drop from A to K ($>500\text{mV}$) is much larger than the turn-on threshold (125mV) of internal control circuitry, which leads to the turn on of the internal MOSFET. The control circuitry will regulate the V_{AK} at about 30mV by controlling the gate driver voltage of the internal MOSFET.

Turn-off Phase

When the shaded PV cells start to generate power (this means the voltage which drops across A-K is smaller than 30mV), the control circuitry stops working and the internal MOSFET is turned off.

APPLICATION INFORMATION

Loss Calculation

The MP6914 provide solutions for photovoltaic applications, designed to increase system efficiency by implementing a bypass function through a 5.3mΩpower MOSFET transistor instead of a conventional Schottky diode.

MP6914 should be connected in parallel to the cell string which is intended to be protected. In normal work this string produce enery with a voltage V_{KA} . In normal work MP6914 comsumes a power determined by:

$$P_{LOSS}(W) = V_{KA}(V) * I_{KA}(\mu A) * 10^{-6}$$

Where I_{KA} Is the reverse current (see Figure 3), typically $<3\mu A$, so P_{LOSS} is very small.

When this cell string is shaded to act as a load of other cells, MP6914 will turn on the internal MOSFET to prevent hot-spot issue. Now I_{KA} is the negative forward current I_F (typically 0~10A), equal to current in the real load of PV cells. V_{KA} is the negative forward voltage V_F .if I_F is below 5A, V_F is clamped to about 30mV, otherwise can be found in Figure “Forward Voltage vs. Forward Current”. Then substituting V_F and I_F into previous equation can calculate out the loss in this case.

P_{LOSS} (W), θ_{JA} (45-65°C/W), ambient temperature T_a (°C) and maximum allowed junction temperature (150°C) decide the maximum I_F (A). In common case, this relation can be expressed:

$$I_F = (150 - T_a) / (\theta_{JA} * V_F * 0.001)$$

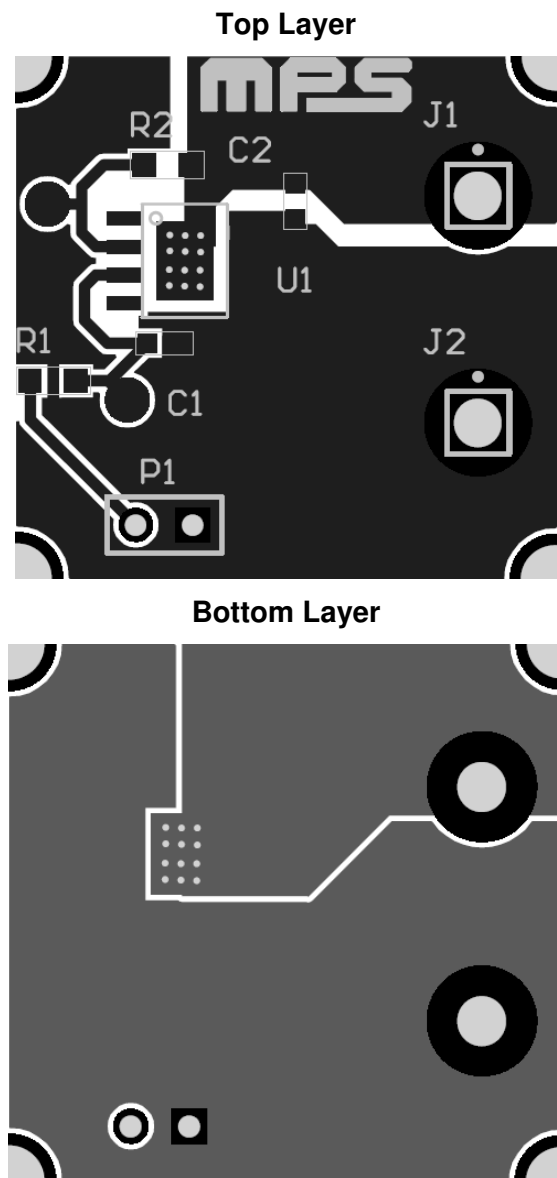
Where V_F in mV, and can be found in the anterior Figure “Forward Voltage vs. Forward Current”, and the maximum I_F is sketched in Figure “Maximum Forward Current vs. Ambient Temperature”.

Component Selection

A small capacitor is needed to keep a clean voltage for V_{DD} pin, 0.1μF is enough. A resistor of 1kΩ is needed between V_D and K pins in order to prevent noise from PV cells line. This resistor doesn't consume power.

PCB Layout Guide

As usually the current flowing into A pin through K pin Is big, the copper plane connected to these pins is recommended as big as possible, as shown in the figures below:



The V_{DD} decoupling capacitor should be closed to V_{DD} and A pins (C1 in the upper figure). The V_D resistor (R2 in the upper figure) connects a joint close to K pin and keeps the V_D trace short. MP6914DN-00A is a good example.

And many vias from top layer through bottom layer needed for current conducting and thermal radiating.

Design Example

Below is a design example following the application guidelines for the specifications:

Table 1: Design Example

V_{DD} (V)	6-24
V_b (V)	-0.8-30
I_b (I_{AK} : A)	0-10

The detailed application schematic is shown in figure 2. The typical performance and circuit waveforms have been shown in the Typical Performance Characteristics section. For more device applications, please refer to the related Evaluation Board Datasheets.

TYPICAL APPLICATION CIRCUITS

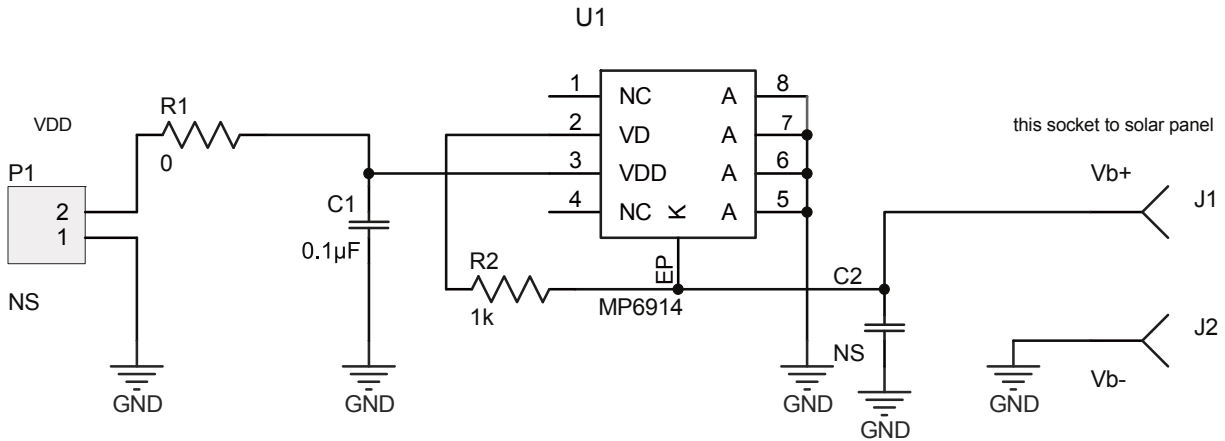
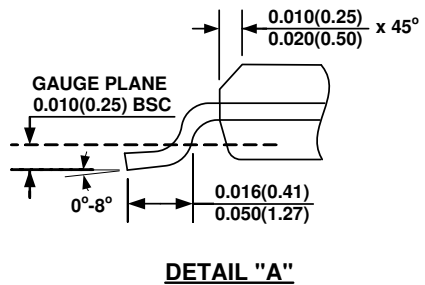
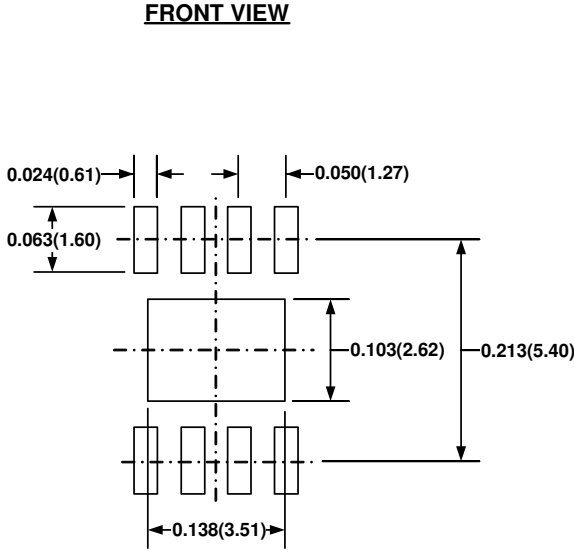
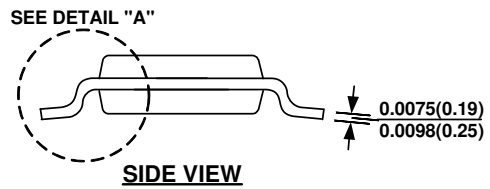
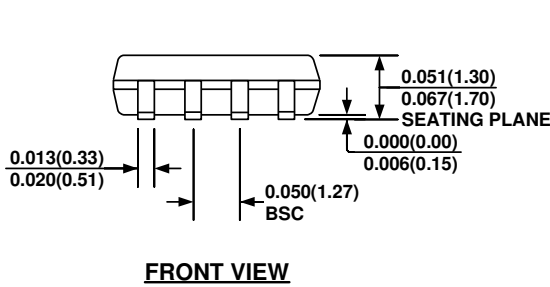
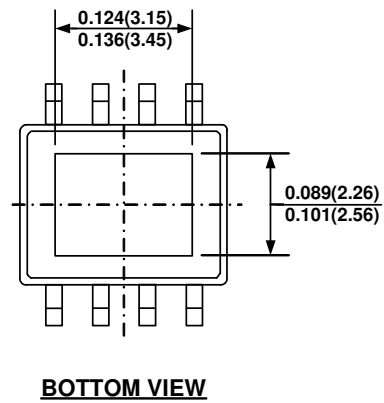
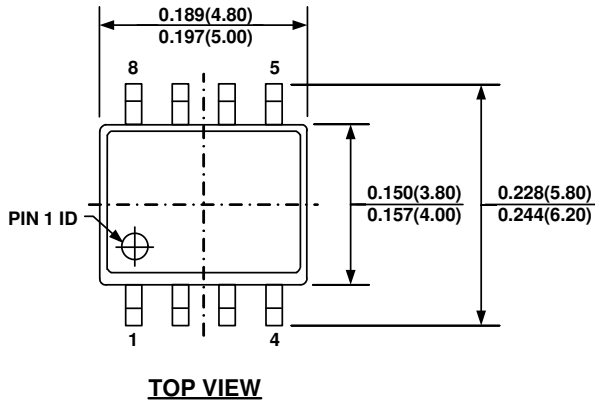


Figure 2—24V/10A Application Circuit

PACKAGE INFORMATION

SOIC8E



NOTE:

- 1) CONTROL DIMENSION IS IN INCHES. DIMENSION IN BRACKET IS IN MILLIMETERS.
- 2) PACKAGE LENGTH DOES NOT INCLUDE MOLD FLASH, PROTRUSIONS OR GATE BURRS.
- 3) PACKAGE WIDTH DOES NOT INCLUDE INTERLEAD FLASH OR PROTRUSIONS.
- 4) LEAD COPLANARITY (BOTTOM OF LEADS AFTER FORMING) SHALL BE 0.004" INCHES MAX.
- 5) DRAWING CONFORMS TO JEDEC MS-012, VARIATION BA.
- 6) DRAWING IS NOT TO SCALE.

NOTICE: The information in this document is subject to change without notice. Please contact MPS for current specifications. Users should warrant and guarantee that third party Intellectual Property rights are not infringed upon when integrating MPS products into any application. MPS will not assume any legal responsibility for any said applications.